

# AD-170

## Installation Manual

**WARNING:** For your safety the information in this manual must be followed to minimize the risk of fire or explosion or to prevent property damage, personal injury or loss of life.

Do not store or use gasoline or other flammable vapors and liquids in the vicinity of this or any other appliance.

### WHAT TO DO IF YOU SMELL GAS

- Do not try to light any appliance.
- Do not touch any electrical switch; do not use any phone in your building.
- Clear the room, building or area of all occupants.
- Immediately call your gas supplier from a neighbor's phone. Follow the gas supplier's instructions.
- If you cannot reach your gas supplier, call the fire department.

Installation and service must be performed by a qualified installer, service agency or the gas supplier.



For replacement parts, contact the distributor from which the dryer was purchased or

**American Dryer Corporation**

88 Currant Road Fall River, MA 02720-4781

Telephone: (508) 678-9010 / Cable: AMDRY

Telex: 927520 AMDRY FRIV / Fax: (508) 678-9447

## **Retain This Manual In A Safe Place For Future Reference**

American Dryer Corporation products embody advanced concepts in engineering, design, and safety. If this product is properly maintained, it will provide many years of safe, efficient, and trouble-free operation.

**ONLY** properly licensed technicians should service this equipment.

Observe all safety precautions displayed on the equipment or specified in the installation/ operator's manual included with the dryer.

Under **NO circumstances should the dryer door switch or the heat circuit devices ever be disabled.**

We have tried to make this manual as complete as possible and hope you will find it useful. ADC reserves the right to make changes from time to time, without notice or obligation, in prices, specifications, colors, and materials and to change or discontinue models.

### **Important**

For your convenience, log the following information:

DATE OF PURCHASE \_\_\_\_\_ MODEL NO. AD-170

DISTRIBUTOR'S NAME \_\_\_\_\_

Serial No.(s) \_\_\_\_\_  
\_\_\_\_\_  
\_\_\_\_\_

Replacement parts can be ordered from your distributor or the ADC factory. When ordering replacement parts from the factory, you can fax your order to ADC at (508) 678-9447 or telephone your orders directly to the ADC Parts Department at (508) 678-9010. Please specify the dryer **model number** and **serial number** in addition to the **description** and **part number**, so that your order is processed accurately and promptly.

The illustrations on the following pages may not depict your particular dryer exactly. The illustrations are a composite of the various dryer models. Be sure to check the descriptions of the parts thoroughly before ordering.

INSTRUCTIONS TO BE FOLLOWED IN THE EVENT THE USER  
SMELLS GAS MUST BE POSTED IN A PROMINENT LOCATION. THE  
INSTRUCTIONS TO BE POSTED SHALL BE OBTAINED FROM THE  
LOCAL GAS SUPPLIER.

**FOR YOUR SAFETY**

DO NOT STORE OR USE GASOLINE OR OTHER FLAMMABLE VAPORS AND LIQUIDS IN THE VICINITY OF THIS OR ANY OTHER APPLIANCE.

DO NOT DRY MOP HEADS IN THE DRYER.

DO NOT USE DRYER IN THE PRESENCE OF DRY CLEANING FUMES.

**WARNING**

CHILDREN SHOULD NOT BE ALLOWED TO PLAY ON OR IN THE DRYER(S).

CHILDREN SHOULD BE SUPERVISED IF NEAR DRYER(S) IN OPERATION.

**CAUTION**

DRYER(S) SHOULD NEVER BE LEFT UNATTENDED WHILE IN OPERATION.

**IMPORTANT**

Please observe all safety precautions displayed on the equipment and/or specified in the installation/operators manual included with the dryer.

Dryer(s) must not be installed or stored in an area where it will be exposed to water and/or weather.

The wiring diagram for the dryer is located in the front electrical control box area.

# Table of Contents

## SECTION I

<b>IMPORTANT INFORMATION</b> .....	<b>2</b>
A. Receiving and Handling .....	2
B. Safety Precautions .....	3

## SECTION II

<b>SPECIFICATIONS / COMPONENT IDENTIFICATION</b> .....	<b>5</b>
A. Specifications (Gas and Steam Models) .....	5
B. Component Identification .....	7

## SECTION III

<b>INSTALLATION PROCEDURES</b> .....	<b>9</b>
A. Location Requirements .....	9
B. Unpacking/Setting Up .....	10
C. Set Up For Microprocessor (Computer) Panel .....	12
D. Dryer Enclosure Requirements .....	13
E. Fresh Air Supply .....	14
F. Exhaust Requirements .....	15
G. Electrical Information .....	21
H. Gas Information .....	26
I. Steam Information .....	30
J. Preparation For Operation/Start-Up .....	34
K. Preoperational Tests .....	35

## SECTION IV

<b>SERVICE / PARTS INFORMATION</b> .....	<b>38</b>
A. Service .....	38
B. Parts .....	38

## SECTION V

<b>WARRANTY INFORMATION</b> .....	<b>39</b>
A. Returning Warranty Card(s) .....	39
B. Warranty .....	39
C. Returning Warranty Part(s) .....	39

## SECTION VI

<b>ROUTINE MAINTENANCE</b> .....	<b>41</b>
A. Cleaning .....	41
B. Adjustments .....	43
C. Lubrication .....	43

## SECTION VII

<b>TROUBLESHOOTING</b> .....	<b>44</b>
------------------------------	-----------

# SECTION I

## IMPORTANT INFORMATION

### A. RECEIVING AND HANDLING

The dryer is shipped in a protective stretch wrap cover with protective cardboard corners and top cover (or optional box) as a means of preventing damage in transit. Upon delivery, the dryer and/or protective packaging, and wooden skid **should be** visually inspected for shipping damage. If any damage whatsoever is noticed, inspect further before delivering carrier leaves.

Dryers damaged in shipment:

1. **ALL** dryers **should be** inspected upon receipt and before they are signed for.
2. If there is suspected damage or actual damage, the trucker's receipt **should be** so noted.
3. If the dryer is damaged beyond repair, it **should be** refused. Those dryers which were not damaged in a damaged shipment **should be** accepted, but the number received and number refused **must be** noted on the receipt.
4. If you determine that the dryer was damaged after the trucker has left your location, you should call the delivering carrier's freight terminal immediately and file a claim. The freight company considers this concealed damage. This type of freight claim is very difficult to get paid and becomes extremely difficult when more than a day or two passes after the freight was delivered. It is your responsibility to file freight claims. Dryers/parts damaged in transit **cannot** be claimed under warranty.
5. Freight claims are the responsibility of the consignee, and all claims **must be** filed at the receiving end. ADC assumes no responsibility for freight claims or damages.
6. If you need assistance in handling the situation, please contact the ADC traffic manager at (508) 678-9000.

**IMPORTANT:** The dryer **must be** transported and handled in an upright position at all times.

## B. SAFETY PRECAUTIONS

**WARNING:** For your safety, the information in this manual **must be** followed to minimize the risk of fire or explosion or to prevent property damage, personal injury or loss of life.

1. **DO NOT** store or use gasoline or other flammable vapors and liquids in the vicinity of this or any other appliance.
2. Purchaser/user should consult the local gas supplier for proper instructions to be followed in the event the user smells gas. The instructions **should be** posted in a prominent location.
3. WHAT TO DO IF YOU SMELL GAS...
  - a. **DO NOT** try to light any appliance.
  - b. **DO NOT** touch any electrical switch.
  - c. **DO NOT** use any phone in your building.
  - d. Clear the room, building or area of **ALL** occupants.
  - e. Immediately call your gas supplier from a neighbor's phone. Follow the gas supplier's instructions.
  - f. If you **cannot** reach your gas supplier, call the fire department.
4. Installation and service **must be** performed by a qualified installer, service agency, or the gas supplier.
5. Dryer(s) **must be** exhausted to the outdoors.
6. Although ADC produces a very versatile machine, there are some articles that, due to fabric composition or cleaning method, should not be dried in it.

**WARNING:** Dry only water-washed fabrics. **DO NOT** dry articles spotted or washed in dry cleaning solvents, a combustible detergent, or "all purpose" cleaner. **EXPLOSION COULD RESULT.**

**WARNING:** **DO NOT** dry rags or articles coated or contaminated with gasoline, kerosene, oil, paint, or wax. **EXPLOSION COULD RESULT.**

**WARNING:** **DO NOT** dry mop heads. Contamination by wax or flammable solvents will create a fire hazard.

**WARNING: DO NOT** use heat for drying articles that contain plastic, foam, sponge rubber, or similarly textured rubber-like materials. Drying in a heated basket (tumbler) may damage plastics or rubber and also may be a fire hazard.

7. A program **should be** established for the inspection and cleaning of the lint in the burner area, exhaust duct work and area around the back of the dryer. The frequency of inspection and cleaning can best be determined from experience at each location.

**WARNING:** The collection of lint in the burner area and exhaust duct work can create a potential fire hazard.

8. For personal safety, the dryer must be electrically grounded in accordance with local codes and/or the National Electric Code ANSI/NFPA NO. 70-LATEST EDITION, or in CANADA, the Canadian Electrical Codes Parts 1 & 2 CSA C22.1-1990 or LATEST EDITION.

**NOTE:** Failure to do so will VOID THE WARRANTY.

9. UNDER NO CIRCUMSTANCES should the dryer door switch, lint drawer switch or heat circuit safety devices ever be disabled.

**WARNING: PERSONAL INJURY OR FIRE COULD RESULT.**

10. This dryer **is not** to be used in the presence of dry cleaning solvents or fumes.
11. Remove articles from the dryer as soon as the drying cycle has been completed.

**WARNING:** Articles left in the dryer after the drying and cooling cycles have been completed can create a fire hazard.

12. **Do not** operate steam dryers with more than 125 PSI steam pressure. Excessive steam pressure can damage steam coil and/or harm personnel.
13. Replace leaking flexible steam hoses or other steam fixtures immediately. **Do not** operate dryer with leaking flexible hoses. **PERSONAL INJURY MAY RESULT.**
14. READ and FOLLOW ALL CAUTION and DIRECTION LABELS ATTACHED TO DRYER.

# SECTION II

## SPECIFICATIONS/COMPONENT IDENTIFICATION

### A. SPECIFICATIONS (GAS and STEAM)

Maximum Capacity (Dry Weight)		170 lbs.	77.1 kg
Basket Diameter		51-1/2"	130.8 cm
Basket Depth		42-1/2"	107.9 cm
Basket Motor		1 HP	.746 kw
Door Opening (Diameter)		31-3/8"	79.7 cm
Basket Volume		51.2 cu.ft.	1.45 cu.m.
Dryers Per 20' /40' Container		3/7	
Dryers Per 45' /48' Truck		8/8	
<b>GAS</b>	Voltage Available	208-600v / 3ø / 3, 4w / 50/60Hz	
	Heat Input*	490,000 btu / hr	123,480 kcal/hr
	Blower Motor - 60 Hz	3 HP	2.238 kw
	Blower Motor - 50 Hz	5 HP	3.73 ke
	Approx. Weight (Uncrated)	2,000 lbs.	906.6 kg
	Approx. Weight (Crated)	2,225 lbs.	1,008.6 kg
	Airflow	2,500 cfm	70.7 cmm
	Inlet Size	1-1/4"	3.18 cm
<b>STEAM</b>	Voltage Available	208-600v / 3ø / 3, 4w / 50/60Hz	
	Blower Motor	5 HP	3.73 kw
	Approx. Weight (Uncrated)	2,125 lbs.	963.3 kg
	Approx. Weight (Crated)	2,350 lbs.	1065.3 kg
	Heat Input	19 Bhp	
	Steam Consumption	725 lbs / hr	329.1 kg/hr
	Airflow	3,500 cfm	99.1 cmm
	Inlet Size	1-1/2"	3.81 cm
80 PSI Compressed Air	1/8" F.P.T.	.318 cm	

\* For CSA / CANADA MODELS ONLY, the Heat Input is 395,000 (99,540 kcal/hr).

**IMPORTANT:** Steam dryers **must be** provided with a clean, dry regulated 80 PSI (+/-10 PSI) air supply.

*Shaded areas are in metric equivalents.*

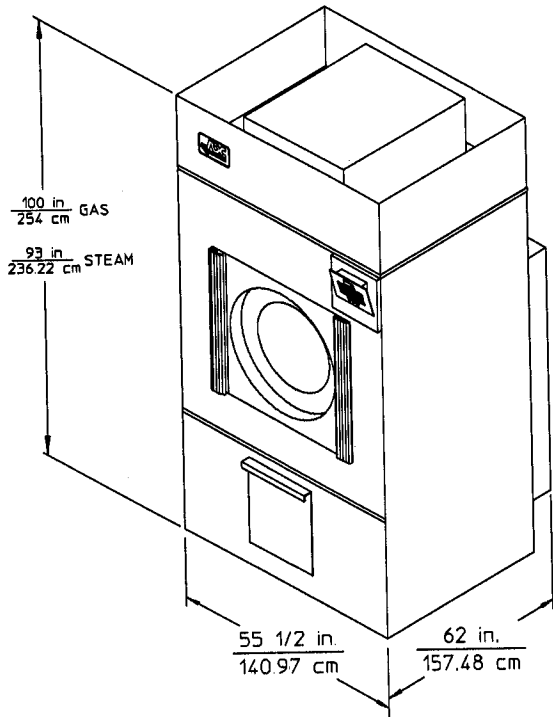
**NOTE:** ADC RESERVES THE RIGHT TO MAKE CHANGES IN SPECIFICATIONS AT ANY TIME, WITHOUT NOTICE or OBLIGATION.



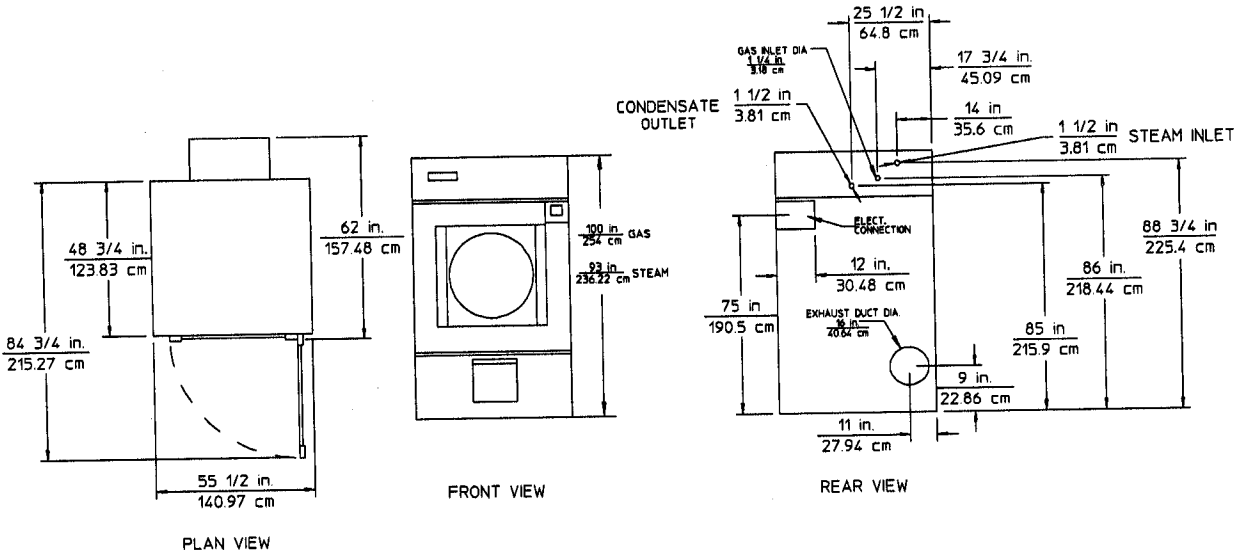
# Specifications

## ADG-170

## ADS-170

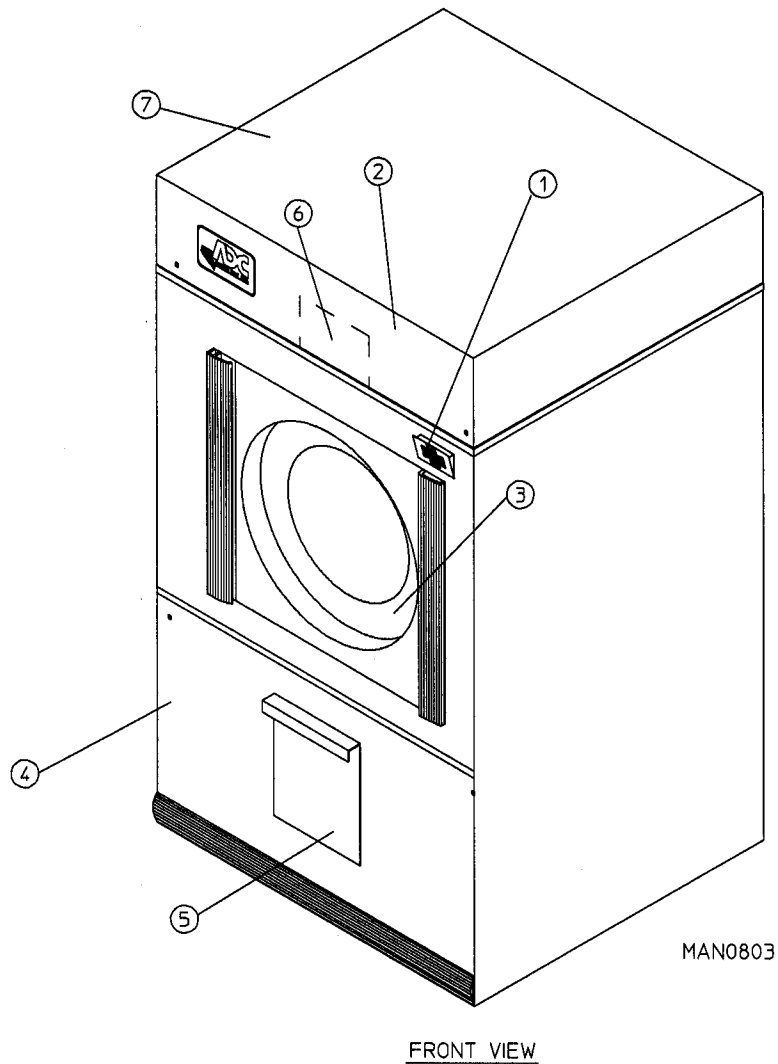


**NOTE: OPERATING HEIGHT OF STEAM DRYER IS 105 inches (266.7 cm).**



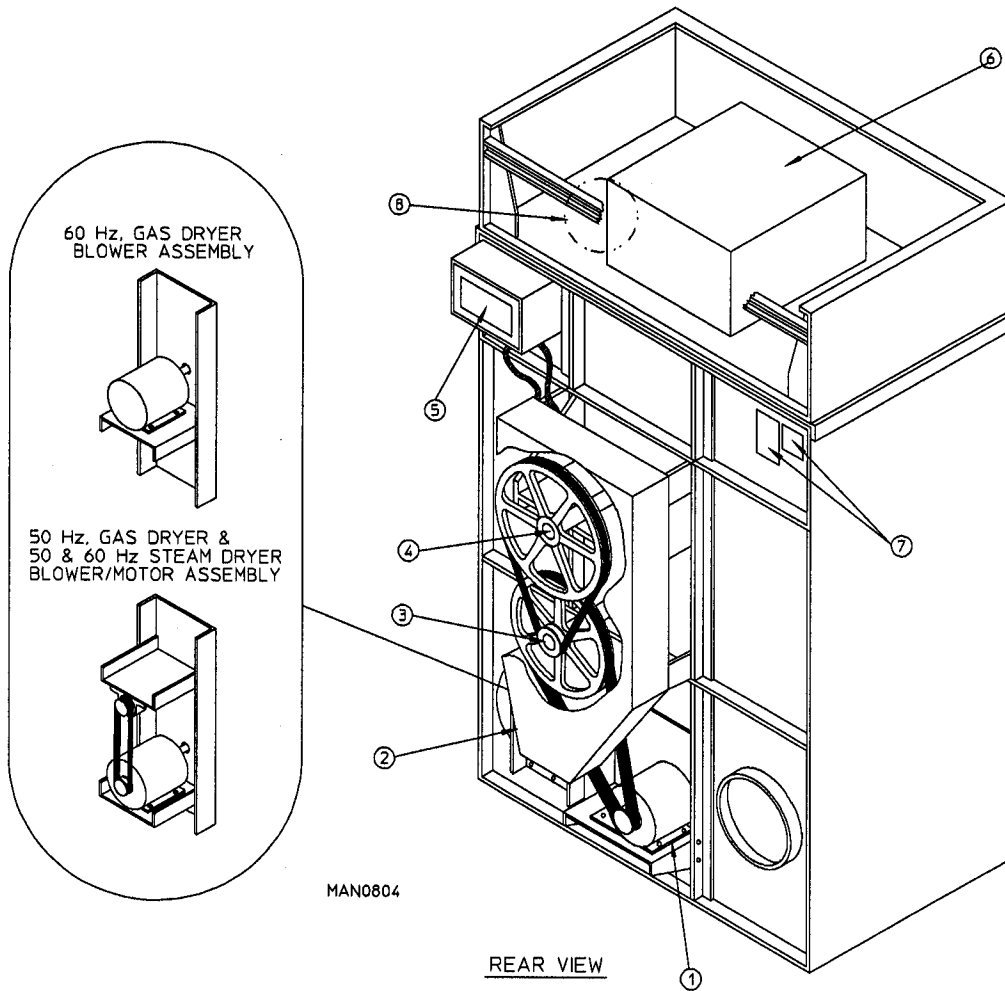
## B. COMPONENT IDENTIFICATION

### 1. DRYER FRONT VIEW



<u>Illus. No.</u>	<u>Description</u>
1	Microprocessor Control/Keyboard Panel Assembly (Controls)
2	Control (Top Access) Door Assembly
3	Main Door Assembly
4	Lint Door Assembly
5	Lint Drawer
6	Wire Diagram (Located Behind Control Door)
7	Top Console (Module) Assembly

## 2. DRYER REAR VIEW



Illus. No.	Description
1	Basket (Drive) Motor Assembly
2	Blower Motor Mount Assembly (Behind Belt Guard)
3	Idler Bearing Mount Assembly
4	Tumbler Bearing Mount Assembly
5*	Electric Service Relay Box
6	Heating Unit
7	Data Label and Installation Label
8	1/8" Compressed Air Supply Inlet (for Steam Models ONLY)

\* Electric service connections are made in this box.

# SECTION III

## INSTALLATION PROCEDURES

Installation **should be** performed by competent technicians in accordance with local and state codes. In the absence of these codes, installation **must conform** to applicable AMERICAN NATIONAL STANDARDS:

ANSI Z223.1 - LATEST EDITION (NATIONAL FUEL CODE)

or

ANSI/NFPA No. 70 LATEST EDITION (NATIONAL ELECTRIC CODE)

or in CANADA, the installation **must conform** to applicable CANADIAN STANDARDS:

CAN/CGA-B149.1-M91 (Natural Gas) or CAN/CGA-B149.2-M91 (L.P. Gas) or LATEST EDITION (for GENERAL INSTALLATION and GAS PLUMBING)

or

CANADIAN ELECTRICAL CODES PARTS 1 & 2 CSA C22.1-1990 or LATEST EDITION (for ELECTRICAL CONNECTIONS).

### A. LOCATION REQUIREMENTS

Before installing the dryer, be sure the location conforms to local codes and ordinances. In absence of such codes or ordinances location **must conform** with the National Fuel Gas Code ANSI Z223.1-LATEST EDITION, or in CANADA, the Canadian Installation Codes CAN/CGA-B149.1-M91 (Natural Gas) or CAN/CGA-B149.2-M91 (L.P. Gas) or LATEST EDITION.

1. The dryer **must be** installed on a sound level floor capable of supporting its weight. It is recommended that carpeting be removed from the floor area that the dryer is to rest on.
2. The dryer **must not be** installed or stored in an area where it will be exposed to water and/or weather.
3. This dryer is for use in noncombustible locations.
4. Provisions for adequate air supply **must be** provided as noted in this manual (refer to **Fresh Air Supply** in Section E).
5. Clearance provisions **must be** made from combustible construction as noted in this manual (refer to **Dryer Enclosure Requirements** in Section D).
6. Provisions **must be** made for adequate clearances for servicing and for operation as noted in this manual (refer to **Dryer Enclosure Requirements** in Section D).
7. Dryer **must be** exhausted to the outdoors (refer to **Exhaust Requirements** in Section F).
8. Dryer **must be** located in an area where correct exhaust venting can be achieved as noted in this manual (refer to **Exhaust Requirements** in Section F).

**IMPORTANT:** Dryer should be located where a minimum amount of exhaust duct will be necessary.

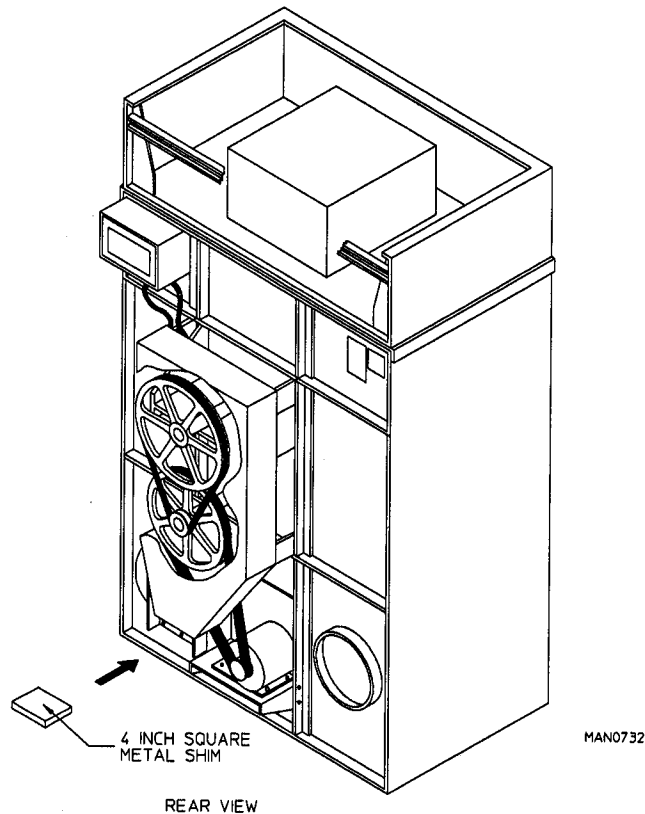
## B. UNPACKING/SETTING UP

Remove protective shipping material (i.e., plastic wrap and/or optional shipping box) from dryer.

**IMPORTANT:** Dryer **must** be transported and handled in an upright position at all times.

The dryer can be moved to its final location while still attached to the skid or with the skid removed. To un-skid the dryer, locate and remove the four (4) lag bolts securing the base of the dryer to the wooden skid. Two (2) are located at the rear base, and two (2) are located in the bottom of the lint chamber. To remove the two (2) lag bolts located in the lint chamber area, remove lint drawer and the two (2) phillips head screws securing lint door in place.

**NOTE:** Lint door **cannot** be removed totally from dryer due to a safety chain. The chain is secured to the dryer/door with special tamperproof screws. The safety chain **must not** be removed or cut from the lint door. Once these lag bolts are off, remove the eight (8) nuts and bolts holding the skid together and take the skid apart. The dryer can now be removed from the skid and set into place.

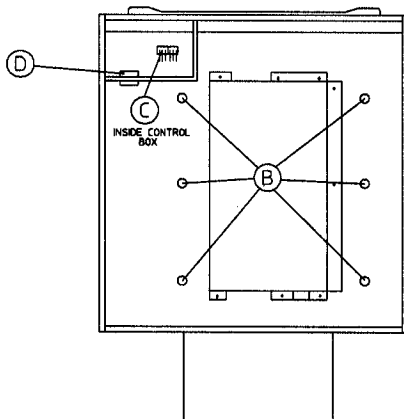


## 1. LEVELING DRYER

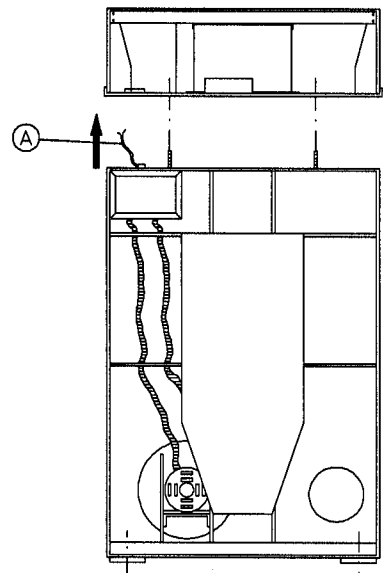
- a. To level dryer, place 4-inch square metal shims or other suitable material under the base pads. It is suggested that the dryer be tilted slightly to the rear. (Refer to the illustration on page 10.)
2. The V-belts are disconnected from the basket drive motor for shipping. Reconnect V-belts before starting the dryer.
  - a. To Reconnect V-belts
    - 1) Remove hardware holding back (belt) guard and remove guard from dryer.
    - 2) Lay one (1) belt into motor sheave (pulley) groove and wind belt into corresponding groove of idler pulley by rotating the idler pulley by hand. Rotate the idler pulley an extra turn or two to insure that the belt is tracking properly in the motor sheave (pulley) and idler pulley grooves without twisting.
    - 3) Repeat procedure to reconnect the remaining belt.
    - 4) Replace back (belt) guard and hardware.
3. If more headroom is needed when moving dryer into position, the top console (module) may be removed.

- a. To remove top console (module)

- 1) Disconnect the ground wire (A) at the Rear Upper Left Hand Corner of the Dryer.
- 2) Remove the six (6) set of nuts and washers (B) holding the console (module) to base.



TOP (CUT-AWAY) VIEW



REAR VIEW

HAN0574

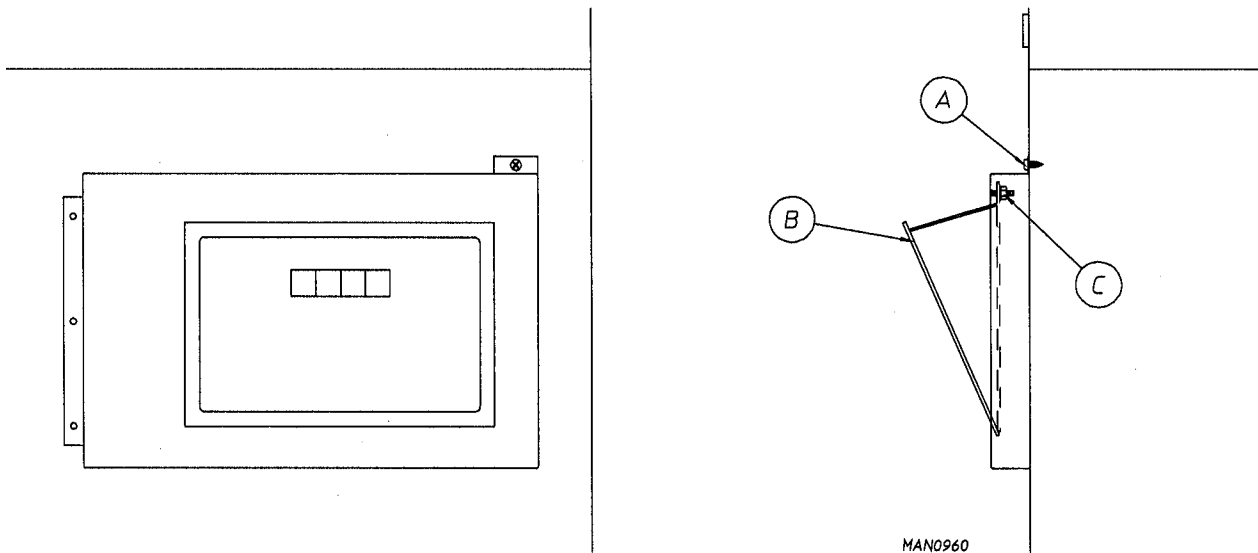
- 3) Open the control door/control panel and disconnect the white 15-pin plug connector (C in the illustration on page 11) located in the base of the control box.
- 4) Disconnect white plug connector (D in the illustration on page 11) located outside backside of the control box (provides power to heat circuit).
- 5) Lift the console (module) off of the dryer base.

**IMPORTANT:** The dryer **must be** transported and handled in an upright position at all times.

### C. SET UP FOR MICROPROCESSOR (COMPUTER) PANEL

For shipping purposes, the AD-170 microprocessor (computer) panel/drawer assembly is shipped in the inward position to avoid damage in transit.

**IMPORTANT:** DO NOT operate the AD-170 computer dryer without first tilting the computer panel/drawer outward. Failure to do so as part of the Start-Up procedure can cause irreparable damage to the microprocessor (computer), VOIDING THE WARRANTY.

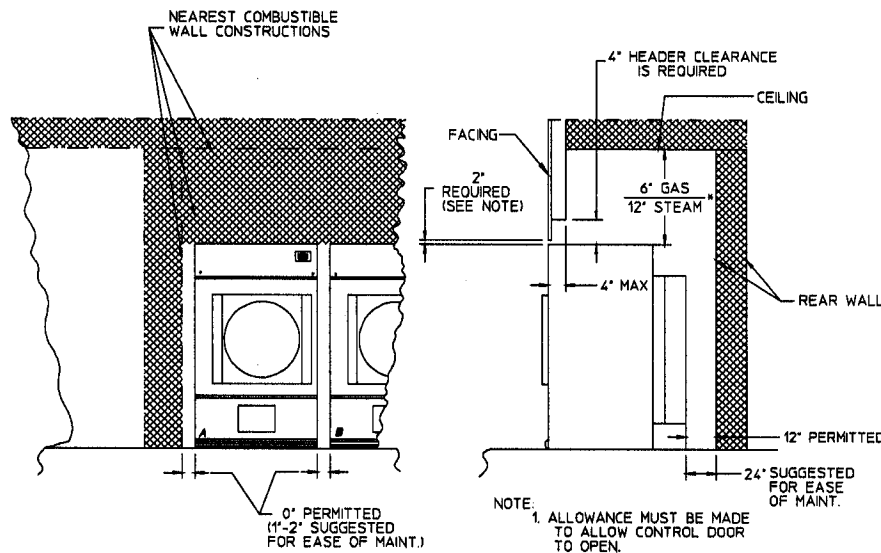


1. Remove screw (A) and open the microprocessor (computer) door.
2. Remove nuts (C) from studs and push microprocessor (computer) panel (B) open.
3. Rethread nuts (C) onto studs and retighten.

## D. DRYER ENCLOSURE REQUIREMENTS

Even though a 12-inch clearance is acceptable, it is recommended that the rear of the dryer (from back guard) be positioned approximately two (2) feet (24 inches) from nearest obstruction (i.e., wall) for ease of installation, maintenance, and service. Bulkheads and partitions **should be** made from noncombustible materials. The clearance between the bulkhead header and the dryer **must be** a minimum of 4 inches and **must not** extend more than 4 inches to the rear of the dryer front. The bulkhead facing **must not** be closed in all the way to the top of the dryer. A 2 inch clearance is required.

**NOTE:** Bulkhead facing **should not be** installed until after dryer is in place. Ceiling area **must be** located a minimum of 6 inches above the dryer top console (module) for gas models and 12 inches for steam models.



\*12" OR MORE (18" OR MORE FOR STEAM) CLEARANCE IS SUGGESTED, ESPECIALLY IN CASES WHERE SPRINKLER HEADS ARE OVER THE DRYERS.

MAN0124

### INSTALLATION: DRYER CLEARANCE TO ADJACENT WALL STRUCTURES.

**IMPORTANT:** Even though a minimum of only 6 inches is required, 12 inches or more is suggested, especially in cases where sprinkler heads are over the dryers.

**NOTE:** Even though a minimum of 6 inches above the dryer console (module) is acceptable, a clearance of 12 inches or more is suggested for ease of installation and service.

**NOTE:** When fire sprinkler systems are located above the dryers, a minimum of 12 inches above the dryer console (module) is required. Dryers may be positioned side wall to side wall; however, one or 2 inches is suggested between dryers (or wall) for ease of installation and maintenance. Allowances **must be** made for the opening and closing of the control door and the lint door.



## E. FRESH AIR SUPPLY

When the dryer is operating, it draws in room air, heats it, passes this air through the basket (tumbler), and exhausts it out of the building. Therefore, the room air **must be** continually replenished from the outdoors. If the make-up air is inadequate, drying time and drying efficiency will be adversely affected. Ignition problems and sail switch "fluttering" problems may result, as well as premature motor failure from overheating.

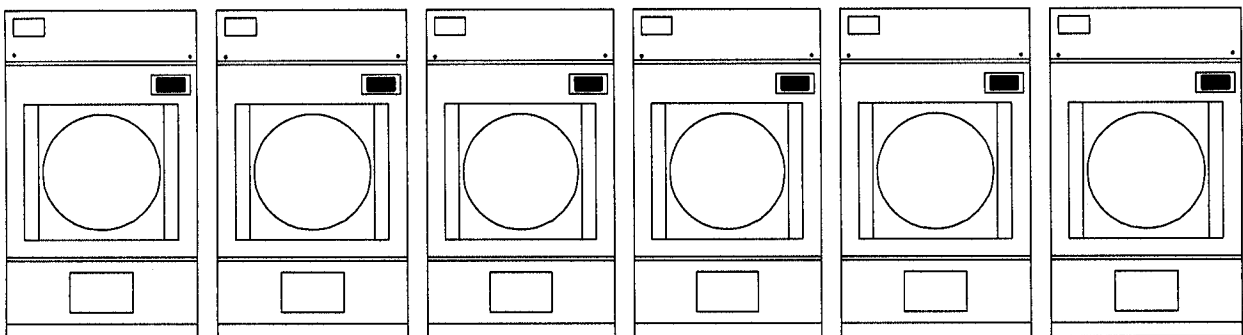
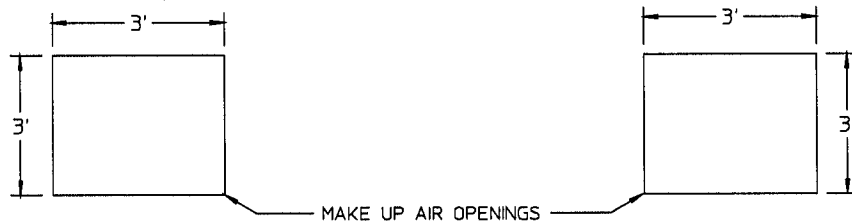
Air supply (make-up air) **must be** given careful consideration to assure proper performance of each dryer. An unrestricted source of air is necessary for each dryer. An airflow of 2,500 cfm (cubic feet per minute) **must be** supplied to each gas dryer and 3,500 cfm (cubic feet per minute) for each steam dryer. As a general rule, an unrestricted air entrance from the outdoors (atmosphere) of a minimum of four (4) square feet is required for each gas dryer and a minimum of six (6) square feet for each steam dryer.

To compensate for the use of registers or louvers used over the openings, this make-up air area **must be** increased by approximately thirty-three (33) percent. Make-up air openings **should not** be located in an area directly near where exhaust vents exit the building.

It is not necessary to have a separate make-up air opening for each dryer. Common make-up air openings are acceptable. However, they **must be** set up in such a manner that the make-up air is distributed equally to all the dryers.

EXAMPLE: For a bank of six (6) gas dryers, two (2) openings measuring 3 feet by 4 feet (24 square feet) is acceptable.

Allowances **must be** made for remote or constricting passageways or where dryers are located at excessive altitudes or predominantly low-pressure areas.



MAN1682

TYPICAL INSTALLATION SHOWING MAKE-UP AIR OPENINGS

**IMPORTANT:** Make-up air **must be** provided from a source free of dry cleaning solvent fumes. Make-up air that is contaminated by dry cleaning solvent fumes will result in irreparable damage to motors and other dryer components.

**NOTE:** Component failure due to dry cleaning solvent fumes **VOIDS THE WARRANTY.**

## F. EXHAUST REQUIREMENTS

### 1. GENERAL EXHAUST DUCT WORK INFORMATION

Exhaust duct work **should be** designed and installed by a qualified professional. Improperly sized duct work will create excessive back pressure which results in slow drying, increased use of energy, overheating of the dryer, and shutdown of the burner by the air flow (sail) switches, burner hi-limits, or basket (tumbler) hi-heat thermostats.

**CAUTION:** DRYER MUST BE EXHAUSTED TO THE OUTDOORS.

**CAUTION:** **IMPROPERLY SIZED OR INSTALLED EXHAUST DUCT WORK CAN CREATE A POTENTIAL FIRE HAZARD.**

**NOTE:** When a dryer is exhausted separately, it is recommended that a back draft damper be installed.

**NOTE:** When dryers are exhausted into a multiple (common) exhaust line, each dryer **must be** supplied with a back draft damper.

The duct work **should be** laid out in such a way that the duct work travels as directly as possible to the outdoors with as few turns as possible. Single or independent dryer venting is recommended.

When single dryer venting is used, the duct work from the dryer to the outside exhaust outlet **should not** exceed twenty (20) feet. In the case of multiple (common) dryer venting, the distance from the last dryer to the outside exhaust outlet **should not** exceed twenty (20) feet. The shape of the duct work is not critical so long as the minimum cross section area is provided. It is suggested that the use of 90° turns in ducting be avoided; use 30° and/or 45° angles instead. The radius of the elbows should preferably be 1-1/2 times the diameter of the duct. Excluding basket/dryer elbow connections or elbows used for outside protection from the weather, no more than two (2) elbows **should be** used in the exhaust duct run. If more than two (2) elbows are used, the cross section area of the duct work **must be** increased in proportion to number of elbows added.

**ALL** duct work **should be** smooth inside with no projections from sheet metal screws or other obstructions which will collect lint. When adding ducts, the duct to be added should overlap the duct to which it is to be connected. **ALL** duct work joints **must be** taped to prevent moisture and lint from escaping into the building. Inspection doors **should be** installed at strategic points in the exhaust duct work for periodic inspection and clean-out of lint from the duct work.

**IMPORTANT:** Exhaust back pressure measured by a manometer at each basket exhaust duct area **should not** exceed 0.3 inches of water column.

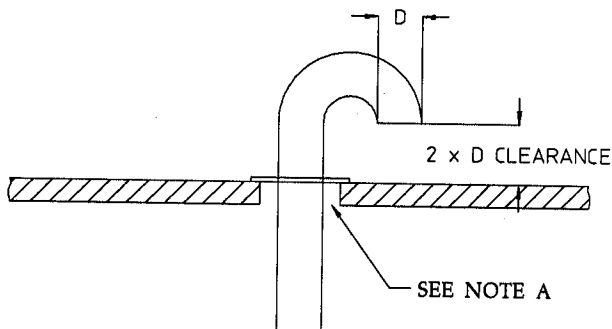
**NOTE:** Where the exhaust duct work passes through a wall, ceiling, or roof made of combustible materials, the opening **must be** 2-inches larger (all the way around) than the duct. The duct **must be** centered within this opening.

a. Outside Duct Work Protection

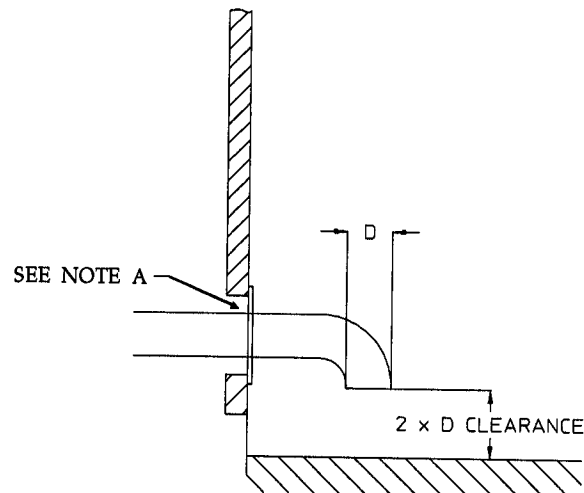
- 1) To protect the outside end of horizontal duct work from the weather, a 90° elbow bent downward **should be** installed where the exhaust exits the building. If the exhaust duct work travels vertically up through the roof, it **should be** protected from the weather by using a 180° turn to point the opening downward. In either case, allow at least twice the diameter of the duct between the duct opening and the nearest obstruction.

**IMPORTANT:** **DO NOT** use screens or caps on the outside of opening of exhaust duct work.

VERTICAL DUCTING



HORIZONTAL DUCTING



NOTE A: OPENING MUST BE TWO (2) INCHES LARGER THAN DUCT (ALL THE WAY AROUND). THE DUCT MUST BE CENTERED WITHIN THIS OPENING.

MAN0731

## 2. SINGLE DRYER VENTING

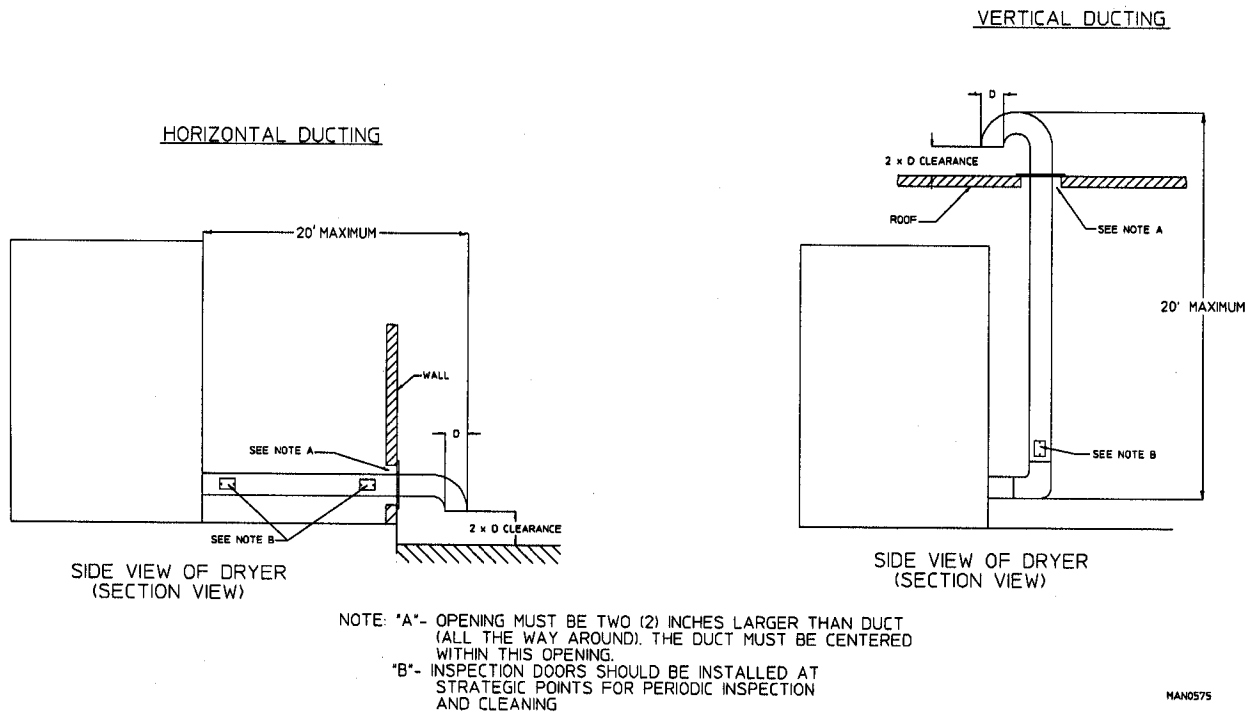
Where possible, it is suggested to provide a separate exhaust duct for each dryer. The exhaust duct **should be** laid out in such a way that the duct work travels as directly as possible to the outdoors with as few turns as possible. It is suggested that the use of 90° turns in ducting be avoided; use 30° and/or 45° angles instead. The shape of the exhaust duct work is not critical so long as the minimum cross-sectional area is provided.

**IMPORTANT:** The minimum duct size is 16 inches for a round duct or 14.50" x 14.50" for a square duct. Duct size **must not be reduced** anywhere downstream of the dryer.

**IMPORTANT:** Exhaust back pressure measured by a manometer at each basket (tumbler) exhaust duct area **should not exceed 0.3 inches** of water column.

It is suggested that the duct work from each dryer not exceed twenty (20) feet with no more than two (2) elbows (excluding dryer connections and outside exhaust outlets). If the duct work exceeds twenty (20) feet or has numerous elbows, the cross-sectional area of the duct work **must be increased** in proportion to the length and number of elbows in it. In calculating duct size, the cross-sectional area of a square or rectangular duct **must be increased** by twenty (20) percent for each additional twenty (20) feet. The diameter of a round exhaust duct **should be increased** ten (10) percent for each additional fifteen (15) feet. Each 90° elbow is equivalent to an additional fifteen (15) feet, and each 45° elbow is equivalent to an additional ten (10) feet.

### SINGLE DRYER VENTING



**IMPORTANT:** For extended duct work runs, the cross-sectional area of the duct work can only be increased to an extent. Maximum proportional duct work runs **cannot** exceed twenty (20) feet more than the original limitations of twenty (20) feet with two (2) elbows. When the duct work approaches the maximum limits as noted in this manual, a professional heating venting air conditioning (HVAC) firm **should be** consulted for proper venting information.

**ALL** duct work **should be** smooth inside with no projections from sheet metal screws or other obstructions which will collect lint. When adding ducts, the duct to be added should overlap the duct to which it is to be connected. **ALL** duct work joints **must be** taped to prevent moisture and lint from escaping into the building. Inspection doors **should be** installed at strategic points in the exhaust duct work for periodic inspection and clean-out of lint from the duct work.

**NOTE:** Where the exhaust duct passes through a wall, ceiling, or roof made of combustible materials, the opening **must be** 2 inches larger (all the way around) than the duct. The duct **must be** centered within this opening.

a. Outside Duct Work Protection

- 1) To protect the outside end of horizontal duct work from the weather, a 90° elbow bent downward **should be** installed where the exhaust exits the building. If the exhaust duct work travels vertically up through the roof, it **should be** protected from the weather by using a 180° turn to point the opening downward. In either case, allow at least twice the diameter of the duct clearance between the duct opening and nearest obstruction.

**IMPORTANT:** **DO NOT** use screens, louvers, or caps on the outside of opening of exhaust duct work.

3. MULTIPLE DRYER (COMMON) VENTING

If it is not feasible to provide separate exhaust ducts for each dryer, ducts from individual dryers may be channeled into a "common main duct." The individual ducts should enter the bottom or side of the main duct at an angle not more than 45° in the direction of airflow and should be spaced at least 55-1/2 inches apart. The main duct **should be** tapered, with the diameter increasing before each individual 16-inch duct is added.

**IMPORTANT:** The AD-170 is not provided with a back draft damper. When exhausted into a multiple (common) exhaust line, a back draft damper **must be** installed at each dryer duct.

**IMPORTANT:** No more than four (4) dryers **should be** connected to one main common duct.

The main duct may be any shape, so long as the minimum cross-sectional area is provided. The illustration on page 20 shows the minimum cross-sectional area for multiple dryer round or square venting. These figures **must be** increased 10 square inches when rectangular main ducting is used, and the ratio of duct width to depth **should not** be greater than 3-1/2 to 1. These figures **must be** increased in proportion if the main duct run to the last dryer to where it exhausts to the outdoors is unusually long (over twenty [20] feet) or has numerous elbows (more than two [2]) in it. In calculating duct work size, the cross-sectional area of a square or rectangular duct **must be** increased twenty (20) percent for each additional twenty (20) feet. The diameter of a round exhaust **must be** increased ten (10) percent for each additional twenty (20) feet. Each 90° elbow is equivalent to an additional fifteen (15) feet, and each 45° elbow is equivalent to an additional ten (10) feet

**IMPORTANT:** For extended duct work runs, the cross-sectional area of the duct work can only be increased to an extent. Maximum proportional duct work runs **cannot** exceed twenty (20) feet more than the original limitations of twenty (20) feet with two (2) elbows. When the duct work approaches the maximum limits as noted in this manual, a professional HVAC firm **should be** consulted for proper venting information.

**IMPORTANT:** Exhaust back pressure measured by a manometer at each dryer exhaust duct area **should not** exceed 0.3 inches of water column.

The duct work **should be** smooth inside with no projections from sheet metal screws or other obstructions which will collect lint. When adding ducts, the duct to be added should overlap the duct to which it is to be connected. **ALL** duct work joints **must be** taped to prevent moisture and lint from escaping into the building. Inspection doors **should be** installed at strategic points in the exhaust duct work for periodic inspection and clean-out of lint from the duct work.

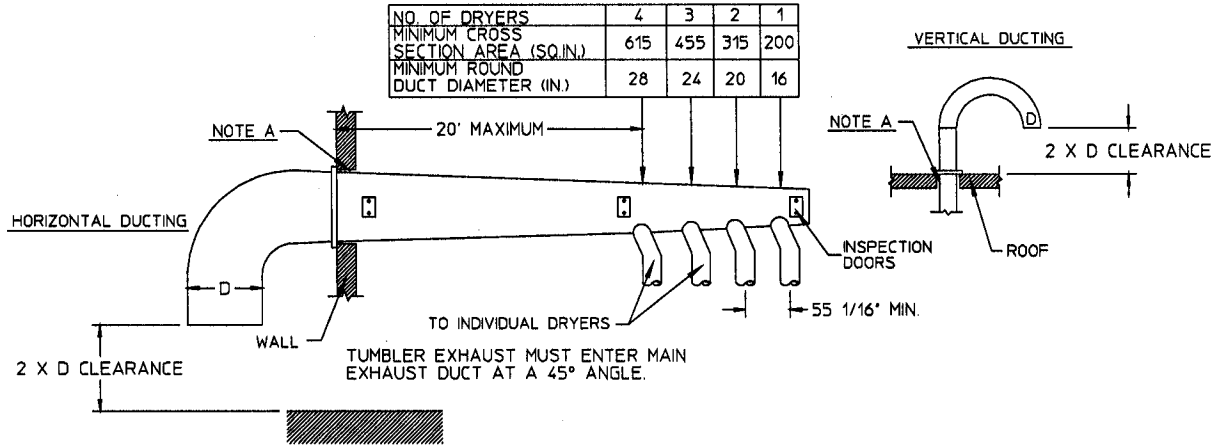
**NOTE:** Where the exhaust passes through a wall, ceiling, or roof made of combustible materials, the opening **must be** 2 inches larger (all the way around) than the duct. The duct **must be** centered within this opening.

#### a. Outside Duct Work Protection

- 1) To protect the outside end of the horizontal duct work from the weather, a 90° elbow bent downward **should be** installed where the exhaust exits the building. If the exhaust duct work travels vertically up through the roof, it **should be** protected from the weather by using a 180° turn to point the opening downward. In either case, allow at least twice the diameter of the duct clearance between the duct opening and nearest obstruction.

**IMPORTANT:** **DO NOT** use screens, louvers, or caps on the outside opening of exhaust duct work.

MULTIPLE DRYER VENTING (GAS MODELS)  
WITH 16" DIAMETER (2500 CFM) EXHAUST CONNECTIONS AT COMMON DUCT

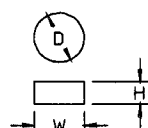


IMPORTANT: NO MORE THAN 4 DRYERS CAN BE CONNECTED TO ONE COMMON DUCT ( VENT ).

FORMULAS TO CALCULATE DUCTING CROSS SECTIONAL AREA

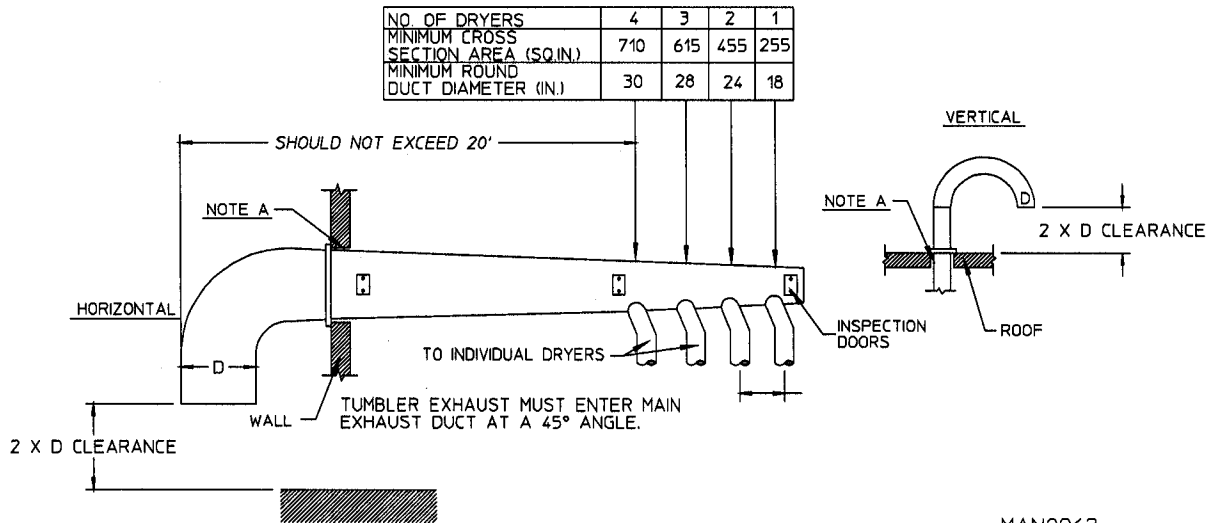
CROSS SECTIONAL AREA OF A ROUND DUCT =  $.785 \times D^2$  WHERE D = DIAMETER OF THE DUCT.

CROSS SECTIONAL AREA OF A RECTANGULAR DUCT =  $W \times H$  WHERE W = WIDTH AND H = HEIGHT.



NOTE A: OPENING MUST BE TWO (2) INCHES LARGER THAN DUCT (ALL THE WAY AROUND). THE DUCT MUST BE CENTERED WITHIN THIS OPENING.

MULTIPLE DRYER VENTING (STEAM MODELS)  
WITH 16" DIAMETER (3500 CFM) EXHAUST CONNECTIONS AT COMMON DUCT



IMPORTANT: NO MORE THAN 4 DRYERS CAN BE CONNECTED TO ONE COMMON DUCT ( VENT ).

MAN0962

## G. ELECTRICAL INFORMATION

### 1. ELECTRICAL REQUIREMENTS

It is your responsibility to have **ALL** electrical connections made by a properly licensed and competent electrician to assure that the electrical installation is adequate and conforms with local and state regulations or codes. In the absence of such codes, **ALL** electrical connections, material, and workmanship **must conform** to the applicable requirements of the National Electrical Code ANSI/NFPA NO. 70-LATEST EDITION, or in CANADA, the Canadian Electrical Codes Parts 1 & 2 CSA C22.1-1990 or LATEST EDITION.

**IMPORTANT:** Failure to comply with these codes or ordinances, and/or the requirements stipulated in this manual can result in personal injury or component failure.

**NOTE:** Component failure due to improper installation will **VOID THE WARRANTY.**

Each dryer **should be** connected to an independently protected branch circuit. The dryer **must be** connected with copper wire only. **DO NOT** use aluminum wire which could cause a fire hazard. The copper conductor wire/cable **must be** of proper ampacity and insulation in accordance with electric codes for making **ALL** service connections.

**NOTE:** The use of aluminum wire will **VOID THE WARRANTY.**



2. ELECTRICAL SERVICE SPECIFICATIONS

# ADG-170, 3Hp Blower Rev., 60Hz 3Ø Motor

Electric Service Specifications						
<b>IMPORTANT:</b> 208 VAC and 230/240 VAC <u>are not</u> the same. When ordering, specify <b>exact voltage</b> .						
<b>NOTES:</b> A. Fuses ratings are dual element-time delay- current limiting, class RK1 or RK5 <b>ONLY</b> . B. Circuit breakers are thermal magnetic (industrial) type <b>ONLY</b> . For others, calculate/verify correct breaker size according to appliance amp draw rating and type of breaker used. C. Circuit breakers for 3Ø dryers <b>must be</b> 3-pole type.						
SERVICE VOLTAGE	PHASE	WIRE SERVICE	APPROX. AMP DRAW	MINIMUM WIRE SIZE*	FUSEING	CVIRCUIT BREAKER
					Duel Element Time Delay	
208	3Ø	3	13.9	10	17.5	20
230/240	3Ø	3	13.6	10	17.5	20
380	3Ø	3	7.8	12	12	15
380	3Ø	4	7.8	12	12	15
416	3Ø	3	8	12	12	15
416	3Ø	4	8	12	12	15
460	3Ø	3	7.8	12	12	15
460	3Ø	4	7.8	12	12	15
480	3Ø	3	7.8	12	12	15
480	3Ø	4	7.8	12	12	15

\* AWG Stranded Type Wire...for individual lengths less than 100 feet.

**IMPORTANT:** The dryer **must be** connected to the electrical supply shown on the data label that is affixed to the back of the dryer, at the upper right hand corner. In the case of 208 VAC or 230/240 VAC, the supply voltage **must match** the electric service specifications of the data label **exactly**.

**WARNING:** 208 VAC AND 230/240 VOLTS **ARE NOT THE SAME**. Any damage done to dryer components due to improper voltage connections will automatically **VOID THE WARRANTY**.

**NOTE:** ADC RESERVES THE RIGHT TO MAKE CHANGES IN SPECIFICATIONS AT ANY TIME, WITHOUT NOTICE or OBLIGATION.

# ADS-170, 5Hp Blower Rev., 50/60Hz, 3Ø Motor

## ADG-170, 5Hp Blower Rev., 50Hz 3Ø Motor

Electric Service Specifications						
<b>IMPORTANT:</b> 208 VAC and 230/240 VAC <u>are not</u> the same. When ordering, specify <b>exact voltage</b> .						
<b>NOTES:</b> A. Fuses ratings are dual element-time delay- current limiting, class RK1 or RK5 <b>ONLY</b> . B. Circuit breakers are thermal magnetic (industrial) type <b>ONLY</b> . For others, calculate/verify correct breaker size according to appliance amp draw rating and type of breaker used. C. Circuit breakers for 3Ø dryers must be 3-pole type.						
SERVICE VOLTAGE	PHASE	WIRE SERVICE	APPROX. AMP DRAW	MINIMUM WIRE SIZE*	FUSING	CIRCUIT BREAKER
					Dual Element Time Delay	
208	3Ø	3	17.6	10	30	40
230/240	3Ø	3	17.8	10	30	40
380	3Ø	3	11.5	12	15	25
380	3Ø	4	11.5	10	15	25
416	3Ø	3	11	10	15	25
416	3Ø	4	11	10	15	25
460	3Ø	3	9.9	12	15	20
460	3Ø	4	9.9	12	15	20
480	3Ø	3	9.9	12	15	20
480	3Ø	4	9.9	12	15	20

\* AWG Stranded Type Wire...for individual lengths less than 100 feet.

**IMPORTANT:** The dryer **must be** connected to the electrical supply shown on the data label that is affixed to the back of the dryer, at the upper right hand corner. In the case of 208 VAC or 230/240 VAC, the supply voltage **must match** the electric service specifications of the data label **exactly**.

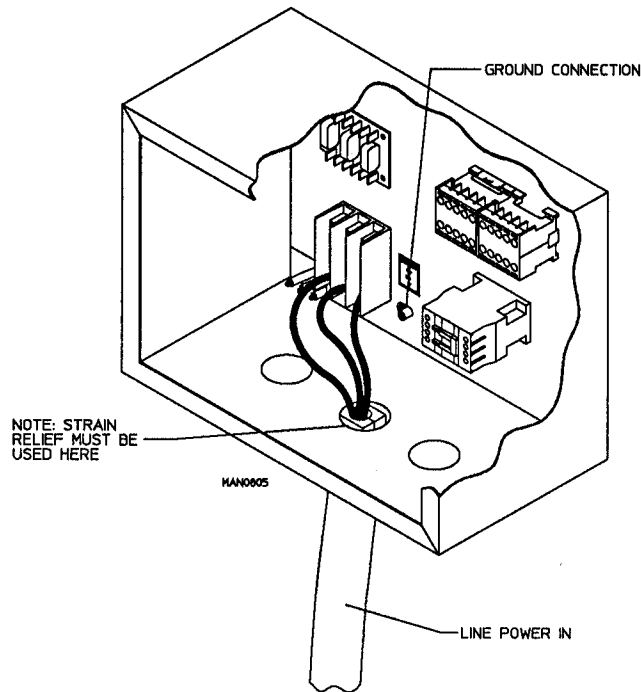
**WARNING:** 208 VAC AND 230/240 VOLTS **ARE NOT THE SAME**. Any damage done to dryer components due to improper voltage connections will automatically **VOID THE WARRANTY**.

**NOTE:** ADC RESERVES THE RIGHT TO MAKE CHANGES IN SPECIFICATIONS AT ANY TIME, WITHOUT NOTICE or OBLIGATION.

### 3. ELECTRICAL CONNECTIONS

**NOTE:** A wiring diagram is included with each dryer and is affixed to the back of the top control (access) door.

The only electrical input connections to the dryer are the 3-phase (3 $\phi$ ) power leads (L1, L2, and L3), GROUND, and in the case of 4 wire service, the neutral. These electrical connections are made at the wire leads located in the electric service/relay box at the rear, upper left hand corner of the dryer. To gain access into this service box, the service cover **must be removed**.



Providing local codes permit, power connections to the dryer can be made by the use of a flexible underwriters laboratory listed cord/pigtail (wire size **must conform** to rating of the dryer), or the dryer can be hard wired directly to the service breaker. In **ALL** cases, a strain relief **must be** used where the wire(s) enter the dryer electrical service (relay) box.

**NOTE:** A CIRCUIT SERVING EACH DRYER MUST BE PROVIDED.

#### 4. GROUNDING

Grounding (earth) connections **must be** provided and installed in accordance with state and local codes. In the absence of these codes, grounding **must conform** to applicable requirements of the National Electric Code ANSI/NFPA NO. 70-LATEST EDITION, or in CANADA, the Canadian Electrical Codes Parts 1 & 2 CSA C22.1-1990 or LATEST EDITION. The ground connection may be to a proven earth ground at the location service panel.

**NOTE:** A grounding connection (terminal lug) is provided in the dryers electrical service/relay box at the rear, upper left hand corner of the dryer.

For added personal safety, when possible, it is suggested that a separate ground wire (sized per local codes) be connected from the ground connection of the dryer to a grounded cold water pipe. **DO NOT** ground to a gas or hot water pipe. The grounded cold water pipe must have metal to metal connections all the way to electrical ground. If there are any non-metallic interruptions, such as a meter, pump, plastic, rubber, or other insulating connectors, they must be jumped out with no. 4 copper wire and securely clamped to bare metal at both ends.

**IMPORTANT:** For personal safety and proper operation, the dryer **must be** grounded. For proper operation of the microprocessor (computer), an earth (zero) ground **is required**.

**NOTE:** Grounding via metallic electrical conduit (pipe) **is not** recommended.

## H. GAS INFORMATION

It is your responsibility to have **ALL** plumbing connections made by a qualified professional to assure that the gas plumbing installation is adequate and conforms with local and state regulations or codes. In the absence of such codes, **ALL** plumbing connections, material, and workmanship **must conform** to the applicable requirements of the National Fuel Gas Code ANSI Z223.1-LATEST EDITION, or in CANADA, the Canadian Installation Codes CAN/CGA-B149.1-M91 (Natural Gas) or CAN/CGA-B149.2-M91 (L.P. Gas) or LATEST EDITION.

**IMPORTANT:** Failure to comply with these codes or ordinances, and/or the requirements stipulated in this manual, can result in personal injury and improper operation of the dryer.

The dryer and its individual shut-off valve **must be** disconnected from the gas supply piping system during any pressure testing of that system at test pressures in excess of 1/2 psig (3.5 kPa). The dryer **must be** isolated from the gas supply piping system by closing its individual manual shut-off valve during any pressure testing of the gas supply piping system at test pressures equal to or less than 1/2 psig (3.5 kPa).

**IMPORTANT:** Failure to isolate or disconnect dryer from supply as noted can cause irreparable damage to the gas valves VOIDING THE WARRANTY.

**WARNING: FIRE or EXPLOSION COULD RESULT.**

### 1. GAS SUPPLY

The gas dryer installation must meet the AMERICAN NATIONAL STANDARD: National Fuel Gas Code Z223.1- LATEST EDITION, or in CANADA, the CANADIAN INSTALLATION CODES CAN/CGA-B149.1-M91 (Natural Gas) or CAN/CGA-B149.2-M91 (L.P. Gas) or LATEST EDITION, as well as local codes and ordinances and **must be** done by a qualified professional.

**NOTE:** Undersized gas piping will result in ignition problems, slow drying, increased use of energy, and can create a safety hazard.

The dryer **must be** connected to the type of heat/gas indicated on the dryer data label affixed to the back of the dryer at the upper right hand corner. If this information does not agree with the type of gas available, **do not** operate the dryer. Contact the distributor who sold the dryer or the ADC factory.

**IMPORTANT:** Any burner changes or conversions **must be** made by a qualified professional.

The input ratings shown on the dryer data label are for elevations of up to 2,000 feet, unless elevation requirements of over 2,000 feet were specified at the time the dryer order was placed with the factory. The adjustment or conversion of dryers in the field for elevations over 2,000 feet are made by changing each burner orifice. If this conversion is necessary, contact the distributor who sold the dryer or contact the ADC factory.

2. TECHNICAL GAS DATA

a. Gas Specifications

	Type of Gas	
	Natural	Liquid Propane
Manifold Pressure*	3.5 - 4.0 inches W.C.	10.5 - 11.0 inches W.C.
Inline Pressure	6.0 to 12.0 inches W.C.	11.0 inches W.C.

\* Measured at gas valve pressure tap when the gas valve is on.

b. Gas Connections:

Inlet connection ----- 1-1/4-inch N.P.T.

Inlet supply size ----- 1-1/4-inch N.P.T. (minimum)

Btu/hr input (per dryer) - 490,000 (for ALL ADG-170 models EXCLUDING CSA/CANADA MODELS)

Btu/hr input (per dryer) - 395,000 (for ALL ADG-170D CSA/CANADA MODEL ONLY)

1) Natural Gas

Regulation is controlled by the dryer's gas valve's internal regulator. Incoming supply pressure **must be** consistent between a minimum of 6.0 inches and a maximum of 12.0 inches water column pressure.

2) Liquid Propane (L.P.) Gas

Dryers made for use with L.P. gas have the gas valve's internal pressure regulator blocked open so that the gas pressure **must be** regulated upstream of the dryer. The pressure measured at each gas valve pressure tap **must be** a consistent 11.0 inches water column. There is no regulator or regulation provided in an L.P. dryer. The water column pressure **must be** regulated at the source (L.P. tank) or an external regulator **must be** added to each dryer.

MODEL NUMBER	BTU Per Hour Rating	Type of Gas						L.P. Conversion Kit Part Number
		Natural			Liquid Propane			
		Qty.	D.M.S.†	Part Number	Qty.	D.M.S.†	Part Number	
ADG-170D*	490,000	4	#4	140832	4	#30	140819	880743
ADG-170D**	395,000	4	#13	140860	4	#34	140852	880845

\* For ALL ADG-170D models EXCLUDING CSA/CANADA MODELS.

\*\* For ALL ADG-170D CSA/CANADA MODELS ONLY.

† D.M.S. (Drill Material Size) equivalents are as follows:

#4 = .2090"

#30 = .1285"

#13 = .1850"

#34 = .1110"

### 3. PIPING/CONNECTIONS

**ALL** components/materials **must conform** to National Fuel Gas Code Specifications, or in CANADA, the Canadian Installation Codes (for General Installation and Gas Plumbing). It is important that gas pressure regulators meet applicable pressure requirements, and that gas meters be rated for the total amount of **ALL** the appliance Btu's being supplied.

The dryer is provided with a 1-1/4-inch N.P.T. inlet pipe connection extending out the back area of the burner box. The minimum pipe size connection (supply line) to the dryer is 1-1/4-inch N.P.T. For ease of servicing, the gas supply line of each dryer **must have** its own shut-off valve.

The size of the main gas supply line (header) will vary depending on the distance this line travels from the gas meter or, in the case of L.P. gas, the supply tank, other gas-operated appliances on the same supply line, etc. Specific information regarding supply line size **should be determined** by the gas supplier.

**NOTE:** Undersized gas supply piping can create a low or inconsistent pressure which will result in erratic operation of the burner ignition system.

Consistent gas pressure is essential at **ALL** gas connections. It is recommended that a 1-1/4-inch pipe gas loop be installed in the supply line serving a bank of dryers. An in-line pressure regulator **must be** installed in the gas supply line (header) if the (natural) gas pressure exceeds 12.0 inches of water column pressure.

**IMPORTANT:** A water column pressure of 3.5 to 4.0 inches for natural gas and 11.0 inches for L.P. dryers is required at the gas valve pressure tap of each dryer for proper and safe operation.

A 1/8-inch N.P.T. plugged tap, accessible for a test gauge connection, **must be** installed in the main gas supply line immediately upstream of each dryer.

**IMPORTANT:** Pipe joint compounds that resist the action of natural and L.P. gases **must be** used.

**IMPORTANT:** Test **ALL** connections for leaks by brushing on a soapy water solution (liquid detergent works well).

**WARNING: NEVER TEST FOR GAS LEAKS WITH A FLAME!!!**

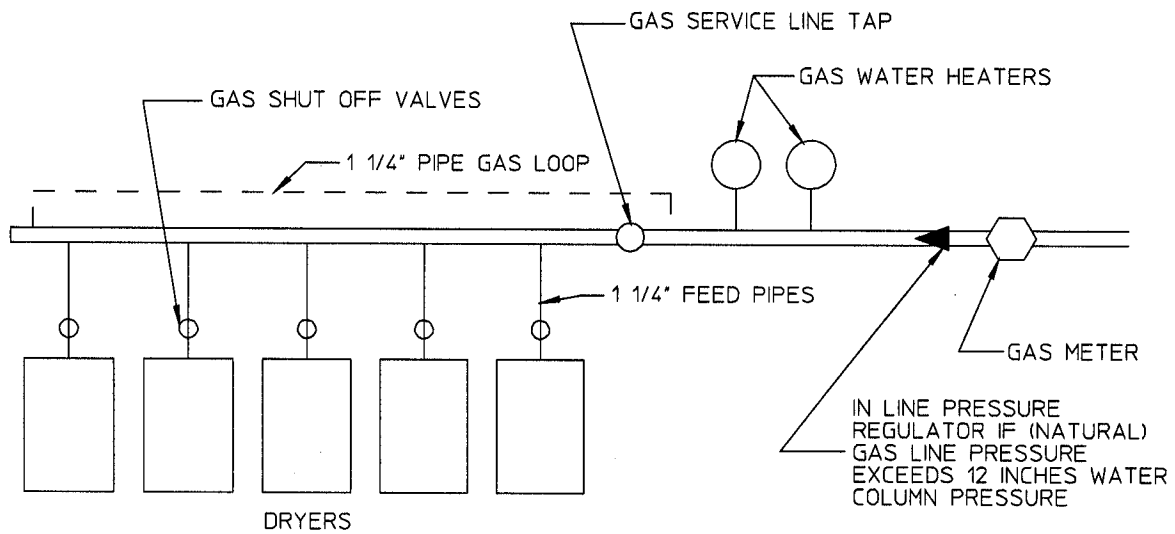
**ALL** components/materials **must conform** to National Fuel Gas Code Specifications ANSI Z223.1-LATEST EDITION, or in CANADA, the Canadian Installation Codes CAN/CGA-B149.1-M91 (Natural Gas) or CAN/CGA-B149.2-M91 (L.P. Gas) or LATEST EDITION.

It is important that gas pressure regulators meet applicable pressure requirements, and that gas meters be rated for the total amount of **ALL** the appliance Btu's being supplied.

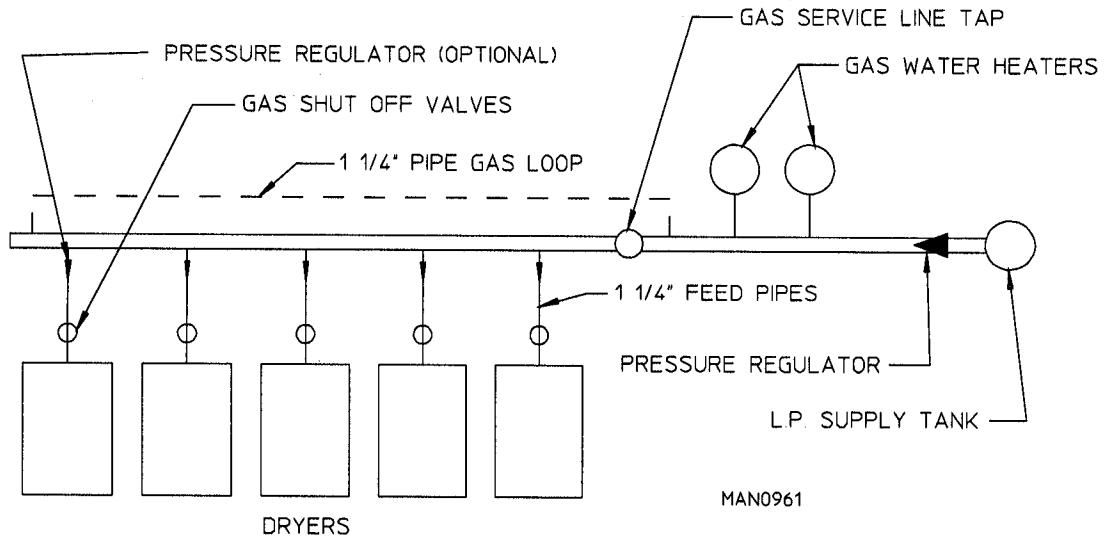
**IMPORTANT:** The dryer and its individual shut-off valve **must be** disconnected from the gas supply piping system during any pressure testing of that system at test pressures in excess of 1/2 psig (3.5 kPa).

**NOTE:** The dryer **must be** isolated from the gas supply piping system by closing its individual manual shut off valve during any pressure testing of the gas supply piping system at test pressures equal to or less than 1/2 psig (3.5 kPa).

TYPICAL NATURAL GAS INSTALLATION



TYPICAL L.P. GAS INSTALLATION



MAN0961



## I. STEAM INFORMATION

It is your responsibility to have **ALL** steam plumbing connections made by a qualified professional to assure that the installation is adequate and conforms with local and state regulations or codes.

**IMPORTANT:** Failure to comply with the requirements stipulated in this manual can result in component failure which will **VOID THE WARRANTY.**

**NOTE:** The ADS-170 is manufactured with a pneumatic (piston) damper system which requires an external supply of clean, dry, regulated air (80 psi +/- 10 psi). Refer to **Steam Damper Air System Connections, Section H, item 3.**

### 1. STEAM REQUIREMENTS - High Pressure

- a. Inlet ---- 1-1/2-inch supply line connection — qty. one (1) at top manifold.
- b. Return - 1-1/2-inch return line connection — qty. one (1) at bottom manifold.

Operating Steam Pressure	
Maximum	125 psig
Minimum	100 psig
Heat Input (Normal Load)	19 Bhp
Consumption (Approximate)	725 lbs/hr

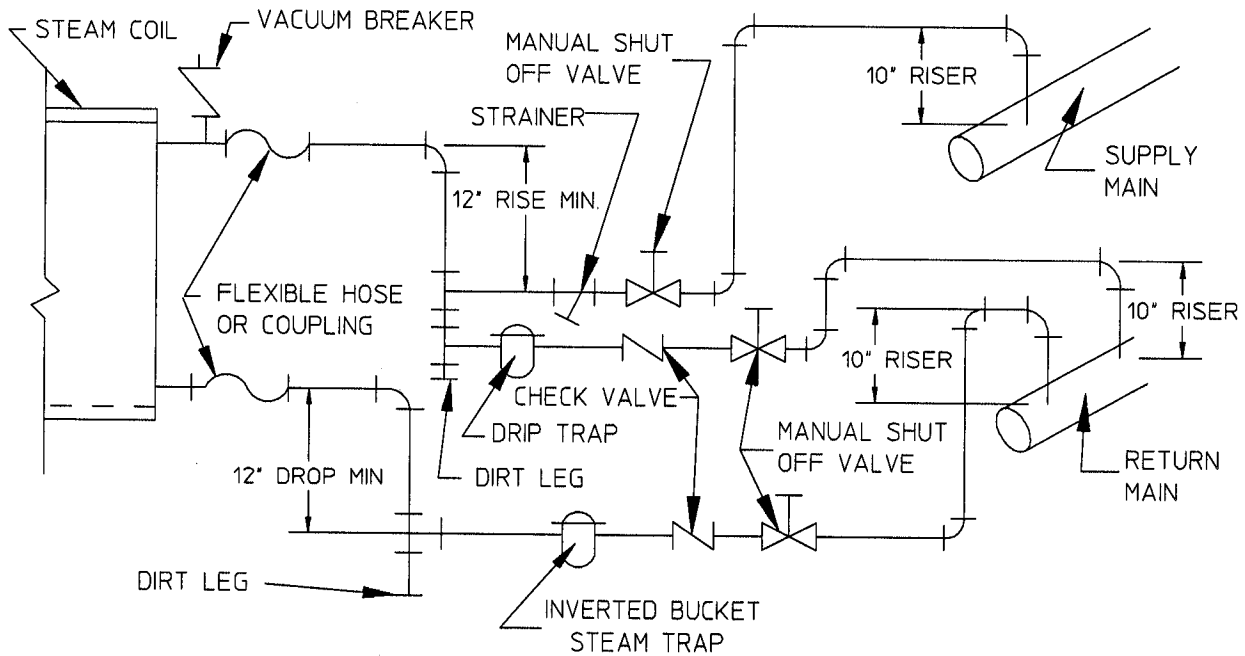
### 2. INSTALLATION INSTRUCTIONS

To insure that an adequate supply of steam is provided, be sure that the steam supply and steam return lines are sized and laid out as stipulated in this manual. Inadequate steam supply and steam return lines or improper steam plumbing will result in poor performance and can cause component failure. Clean, dry, regulated steam **must be** provided to the dryer.

**IMPORTANT:** Steam coil failure due to water hammer by wet steam will **VOID THE WARRANTY.**

- a. The pressure of the condensate in the steam supply will cause water hammer and subsequent heat exchanger (steam coil) failure. The steam supply connection into the main supply line **must be** made with a minimum 12-inch riser. This will prevent any condensate from draining towards the dryer.
- b. The steam supply piping to the dryer **must include** a 12-inch rise along with a drip trap and check valve. This will prevent any condensate from entering the steam coil.
- c. Flexible hoses or couplings **must be** used. The dryer vibrates slightly when it runs and this will cause the steam coil connections to crack if they are hard piped to the supply and return mains.

- d. Shut-off valves for each dryer **should be** installed in the supply, return, and drip trap return lines. This will allow the dryer to be isolated from the supply and return mains if the dryer needs maintenance work.
- e. Install an inverted bucket steam trap and check valve for each unit at least 12-inches below steam coil as close to the coil as possible.
- f. A 3/4" vacuum breaker **should be** installed for each unit in the piping. This will prevent the condensing steam from causing a vacuum inside the coil and possibly damaging the coil.
- g. The supply and return lines **should be** insulated. This will save energy and provide for the safety of the operator and maintenance personnel.
- h. Water pockets in the supply line, caused by low points, will provide wet steam to the coil possibly causing coil damage. **ALL** horizontal runs of steam supply piping **should be** pitched 1/4-inch for every one (1) foot back towards the steam supply header causing any condensate in the line to drain to the header. Install a bypass trap in any low point to eliminate wet steam.



## STEAM DAMPER SYSTEM

MAN0582

### 3. STEAM DAMPER AIR SYSTEM CONNECTIONS

The ADS-170 is manufactured with a pneumatic (piston) damper system which requires an external supply of compressed air. The air connection is made to the steam damper solenoid valve which is located at the rear inner top area of the dryer just above the electric service relay box.

#### a. Air Requirements

Compressed Air Supply	Air Pressure
Normal	80 psi
Minimum Supply	70 psi
Maximum Supply	90 psi

#### b. Air Connection

Air connection to system --- 1/8-inch F.P.T.

- c. No air regulation or filtration is provided with the dryer. External regulation/filtration of 80 psi **must be** provided. It is suggested that a regulator/filter gauge arrangement be added to the compressed air line just before the dryer connection. This is necessary to insure that correct and clean air pressure is achieved.

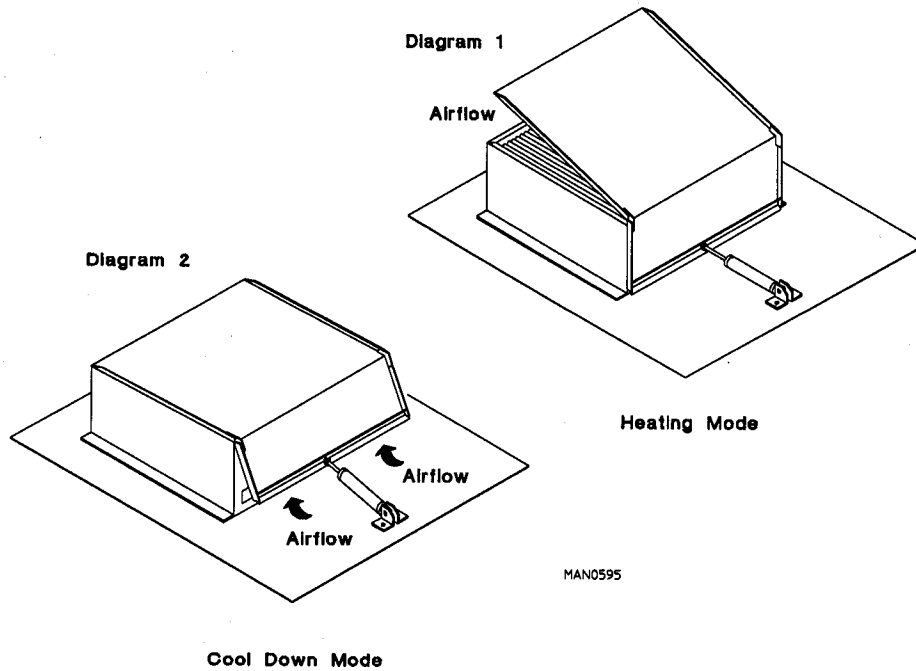
### 4. STEAM DAMPER SYSTEM OPERATION

The ADS-170 steam damper, as shown in the **top illustration on page 33**, allows the coil to stay constantly charged eliminating repeated expansion and contraction. When the damper is opened, the air immediately passes through the already hot coil, providing instant heat to start the drying process. When the damper is closed, ambient air is drawn directly into the basket (tumbler), allowing a rapid cool down.

Diagram 1 shows the damper in the heating (open) mode, allowing heat into the basket (tumbler)

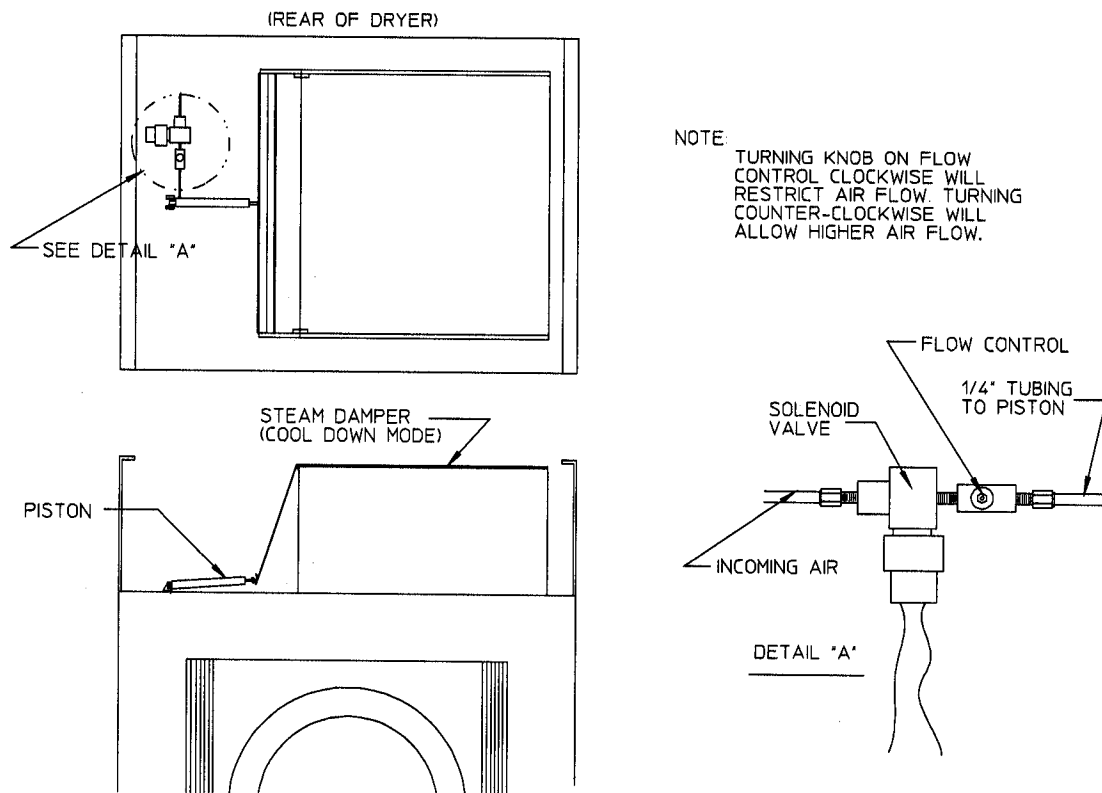
Diagram 2 shows the damper in the cool down (closed) mode, pulling ambient air directly into the basket (tumbler) without passing through the coils.

**NOTE:** With the dryer off or with no air supply, the damper is in the cool down mode as shown in Diagram 2.



## 5. STEAM DAMPER AIR PISTON (FLOW CONTROL) OPERATION ADJUSTMENT

Although the damper operation was tested and adjusted prior to shipping at 80 psi, steam damper operation **must** be checked before the dryer is put into operation. Refer to [page 36](#) for instructions to check steam damper operation. If damper air adjustment is necessary, locate flow control valve and make necessary adjustments as noted below.



## J. PREPARATION FOR OPERATION/START-UP

The following items **should be** checked before attempting to operate the dryer:

1. Read and follow **ALL** "CAUTION," "WARNING," and "DIRECTION" labels attached to the dryer.
2. Check incoming supply voltage to be sure that it is the same as indicated on the dryer data label affixed to the back of the dryer at the upper right hand corner. In the case of 208 VAC or 230/240 VAC, the supply voltage **must match** the electric service **exactly**.
3. GAS MODELS - check to assure that the dryer is connected to the type of heat/ gas indicated on the dryer data label.
4. GAS MODELS - the sail switch damper assembly was installed and preadjusted at the factory prior to shipping. However, each sail switch adjustment **must be** checked to assure that this important safety control is functioning.
5. Check to be sure drive belts between idler pulley and motor pulley have been re-connected.

**| NOTE:** The drive belts were disconnected at factory prior to shipment.

6. GAS MODELS - be sure that **ALL** gas shut-off valves are in the open position.
7. Be sure **ALL** back panels (guards) and electric box covers have been replaced.
8. Check **ALL** service doors to assure that they are closed and secured in place.
9. Be sure lint drawer is securely in place.

**| NOTE:** Lint drawer **must be** all the way in place to activate safety switch otherwise the dryer will not start.

10. Rotate the basket (tumbler/ drum) by hand to be sure it moves freely.
11. Check bolts, nuts, screws, terminals, and fittings for security.
12. STEAM MODELS - check to insure air supply (80 psi) is on to the dryer.
13. STEAM MODELS - check to insure **ALL** steam shut-off valves are open.
14. STEAM MODELS - check steam damper operation.
15. Check tumbler bearing set screws to insure they are **ALL** tight

## K. PREOPERATIONAL TESTS

**ALL** dryers are thoroughly tested and inspected before leaving the factory. However, a preoperational test **should be** performed before the dryer is publicly used. It is possible that adjustments have changed in transit or due to marginal location (installation) conditions.

1. Turn on electric power to the dryer.
2. Make sure the main door is closed and the lint drawer is securely in place.
3. Microprocessor (computer) system operational test — to start dryer...
  - a. Display will read "FILL".
  - b. Press the "E" (preprogrammed) cycle key on the touch pad of the keyboard.
  - c. L.E.D. display will quickly read..."Ld30", "Lc04", and "F180" (unless special programs requested). These codes mean that the dryer is in the timed mode and will operate with heat of 180° F (fahrenheit) for 30 minutes drying time and have a 4-minute cool down period.
  - d. Dryer will now start and the L.E.D. display will read "Dr30" (dry mode for 30 minutes) and count down in minutes.

**NOTE:** The dryer can be stopped at any time by opening main door or by pressing the "CLEAR/STOP" key. To restart the dryer, press the "ENTER/START" key or preprogrammed cycle key (i.e., "E").

**NOTE:** Pressing touch pad key "A", "B", "C" "D" and "F" will also start the dryer. The six (6) preprogrammed drying cycles ("A" through "F") have been stored in the microprocessor (computer's) memory. Refer to the computer programming manual supplied with dryer for these preprogrammed cycles.

4. Check to insure that the basket (tumbler) starts in the clockwise (CW) direction. Additionally, check the direction of the blower motor impellor (fan) to insure that impellor (fan) rotates in the clockwise (CW) direction as viewed from the front. If it is, the phasing is correct. If the phasing is incorrect reverse two (2) of the leads at L1, L2, or L3 of the power supply connections made to the dryer.

**IMPORTANT:** Dryer blower motor impellor/fan as viewed from the front **must turn** in the clockwise (CW) direction, otherwise dryer efficiency will drastically be reduced and premature component failure can result.

## 5. HEAT CIRCUIT OPERATIONAL TEST

### a. Gas Models

- 1) When the dryer is first started (during initial start-up), the burner has a tendency not to ignite on the first attempt. This is because the gas supply piping is filled with air, so it may take a few minutes for this air to be purged from the lines.
- 2) The dryer is equipped with a Direct Spark Ignition (DSI) system which has internal diagnostics. If ignition is not established after the first attempt, the system will retry two (2) more times. If ignition is not established after three (3) attempts, the heat circuit DSI module will lock out until it is manually reset. To reset the DSI system, open and close the main door and restart the dryer (press "ENTER/START" key).

**NOTE:** During the purging period, check to be sure that **ALL** gas shut-off valves are open.

- 3) Once ignition is established, a gas pressure test **should be** taken at the gas valve pressure tap of each dryer to assure that the water column pressure is correct and consistent.

**NOTE:** Water column pressure requirements (measured at the gas valve pressure tap):

Natural Gas ----- 3.5 - 4.0 Inches W.C.  
L.P. Gas ----- 10.5 - 11.0 Inches W.C.

**IMPORTANT:** There is no regulator provided in an L.P. dryer. The water column pressure **must be** regulated at the source (L.P. tank), or an external regulator **must be** added to each dryer.

### b. Steam Models

- 1) Check to insure that the steam damper is functioning properly.
6. Make a complete operational check of **ALL** safety-related circuits (i.e., lint drawer switch, and sail switch on gas models).

**NOTE:** To check for proper sail switch operation, open the main door and, while holding main door switch plunger in, start dryer. Dryer should start, but heat circuit should not be activated (on). If heat (burner) does activate, shut dryer off and make necessary adjustments.

7. A reversing basket dryer **should never** be operated with less than a 50-lb. load (dry weight). The size of the load will affect the coast-down and dwell (stop) times. The basket (tumbler) must come to a complete stop before starting in opposite direction. For the automatic (mode) cycle only the spin and stop times **are not adjustable** and have been preprogrammed into the microprocessor controller (computer) for 120-seconds spin time and a 5-second dwell (stop) time.

**IMPORTANT:** The dryer basket (drum) is treated with a protective coating. ADC suggests tumbling old clothes or material in the basket, using a mild detergent to remove the protective coating.

8. Each dryer **should be** operated through one (1) complete cycle to assure that no further adjustments are necessary and that **ALL** components are functioning properly.
9. Microprocessor (computer) programs/selections:
  - a. Each computer has been preprogrammed by the factory with the most commonly used parameter (program) selections. If computer program changes are required, refer to the computer programming manual which was shipped with the dryer.



# SECTION IV

## SERVICE/PARTS INFORMATION

### A. SERVICE

1. Service **must be** performed by a qualified trained technician, service agency, or gas supplier. If service is required, contact the distributor from whom the ADC equipment was purchased. If the distributor cannot be contacted or is unknown, contact the ADC Service Department for a distributor in your area.

**NOTE:** When contacting the ADC Service Department, be sure to give them the correct **model number** and **serial number** so that your inquiry is handled in an expeditious manner.

### B. PARTS

1. Replacement parts **should be** purchased from the distributor from whom the ADC equipment was purchased. If the distributor cannot be contacted or is unknown, contact the ADC Parts Department for a distributor in your area. Parts may also be purchased directly from the factory by calling the ADC Parts Department at (508) 678-9010.

**NOTE:** When ordering replacement parts from the ADC dealer or ADC factory, be sure to give them the correct **model number** and **serial number** so that your parts order can be processed in an expeditious manner.

# SECTION V

## WARRANTY INFORMATION

### A. RETURNING WARRANTY CARD(S)

1. Before any dryer leaves the ADC factory test area, a warranty card is affixed to the glass of the main door. These warranty cards are intended to serve the customer in two ways. First, when ADC receives the warranty card(s) back from a customer, we mail the appropriate parts manual (at no charge), to the address indicated on the returned card. Second, we record the individual installation date and warranty information to better serve you should you file a warranty claim.
  - a. If a warranty card did not come with your dryer, contact the ADC Warranty Department or Service Department at (508) 678-9000.

### B. WARRANTY

For a copy of the ADC commercial warranty covering your particular dryer(s), contact the ADC distributor from whom you purchased the equipment and request dryer warranty form. If the distributor cannot be contacted or is unknown, warranty information can be obtained from the factory by contacting the ADC Warranty Department at (508) 678-9000.

**NOTE:** Whenever contacting the ADC factory for warranty information, be sure to have the dryer(s) **model number** and **serial number** available so that your inquiry can be handled in an expeditious manner.

### C. RETURNING WARRANTY PART(S)

**ALL** dryer or parts warranty claims or inquires **should be** addressed to the ADC Warranty Parts Department. To expedite processing, the following procedures **must be** followed:

1. No parts are to be returned to ADC without prior written authorization ("Return Material Authorization") from the factory.

**NOTE:** An R.M.A. ("Return Material Authorization") is valid for only sixty (60) days from date of issue.

a. The R.M.A. issued by the factory, as well as any other correspondence pertaining to the returned part(s) **must be** included inside the package with the failed merchandise.

2. Each part **must be** tagged with the following information...

a. **Model number** and **serial number** of the dryer from which part was removed.

b. Nature of failure (be specific).

c. Date of dryer installation.

d. Date of part failure.

e. Specify whether the part(s) being returned is for a replacement, a credit, or a refund.

**NOTE:** If a part is marked for a credit or a refund, the invoice number covering the purchase of the replacement part must be provided.

**NOTE:** Warranty tags (ADC P/N 450064) are available at "no charge" from ADC upon request.

3. The company returning the part(s) must clearly note the complete company name and address on the outside of the package.

4. **ALL** returns **must be** properly packaged to insure that they are not damaged in transit. Damage claims are the responsibility of the shipper.

**IMPORTANT:** No replacements, credits, or refunds will be issued for merchandise damaged in transit.

5. **ALL** returns should be shipped to the ADC factory in such a manner that they are insured and a proof of delivery can be obtained by the sender.

6. Shipping charges **are not** the responsibility of ADC. **ALL** returns should be "prepaid" to the factory. Any "C.O.D." or "COLLECT" returns **will not be accepted**.

**IMPORTANT:** **No** replacements, credits, or refunds will be issued if the claim **cannot** be processed due to insufficient information. The party filing the claim will be notified in writing, either by "FAX" or "CERTIFIED MAIL - Return Receipt Requested," as to the information necessary to process the claim. If a reply is not received by the ADC Warranty Department within thirty (30) days from the FAX/letter date, then no replacement, credit, or refund will be issued and the merchandise will be discarded.

# SECTION VI

## ROUTINE MAINTENANCE

### A. CLEANING

A program and/or schedule **should be** established for periodic inspection, cleaning and removal of lint from various areas of the dryer, as well as throughout the duct work system. The frequency of cleaning can best be determined from experience at each location. Maximum operating efficiency is dependent upon proper air circulation. The accumulation of lint can restrict this air flow. If the guidelines in this section are met, an ADC dryer will provide many years of efficient, trouble-free, and - most importantly - safe operation.

**WARNING:** LINT FROM MOST FABRICS IS HIGHLY COMBUSTIBLE. THE ACCUMULATION OF LINT CAN CREATE A POTENTIAL FIRE HAZARD.

**WARNING:** KEEP DRYER AREA CLEAR and FREE FROM COMBUSTIBLE MATERIALS, GASOLINE and OTHER FLAMMABLE VAPORS and LIQUIDS.

**NOTE:** Suggested time intervals shown are for average usage which is considered six (6) to eight (8) operational (running) hours per day.

Clean lint from lint drawer/screen every third or every fourth load.

**NOTE:** Frequency can best be determined at each location.

#### *DAILY (beginning of each work shift)*

Clean lint from lint drawer/screen. Inspect lint screen and replace if torn.

#### *WEEKLY*

Clean lint accumulation from lint chamber, thermostat, and microprocessor temperature sensor (sensor bracket) area.

**WARNING:** TO AVOID THE HAZARD OF ELECTRICAL SHOCK, DISCONTINUE ELECTRICAL SUPPLY TO THE DRYER.

## STEAM DRYERS

Clean steam coil fins. Suggest using compressed air and a vacuum cleaner with brush attachment.

**NOTE:** When cleaning steam coil fins, be careful not to bend the fins. If fins are bent, straighten by using fin comb which is available from local air conditioning supply houses.

## MONTHLY

For 50 Hz gas dryers and 50/60 Hz steam dryers, re-grease the two (2) 1-3/3-inch bearings that support the impellor/fan shaft. Use Shell Alvania #3 grease or its equivalent. Tighten the set screws on the bearing collars.

## 90 DAYS

Remove lint from around basket (tumbler), drive motors, and surrounding areas. Remove lint from gas valve burner area with a dusting brush or vacuum cleaner attachment.

**NOTE:** To prevent damage, avoid cleaning and/or touching ignitor/flame-probe assembly.

Remove lint accumulation from inside control box and at rear area behind control box.

## 6 MONTHS

Inspect and remove lint accumulation in customer furnished exhaust duct work system and from dryers internal exhaust ducting.

**WARNING:** THE ACCUMULATION OF LINT IN THE EXHAUST DUCT WORK CAN CREATE A POTENTIAL FIRE HAZARD.

**WARNING:** DO NOT OBSTRUCT THE FLOW OF COMBUSTION and VENTILATION AIR. CHECK CUSTOMER FURNISHED BACK DRAFT DAMPERS IN EXHAUST DUCT WORK. INSPECT and REMOVE ANY LINT ACCUMULATION WHICH CAN CAUSE DAMPER TO BIND OR STICK.

**NOTE:** A back draft damper that is sticking partially closed can result in slow drying and shutdown of the heat circuit safety switches or thermostats.

**NOTE:** When cleaning dryer cabinet(s), avoid using harsh abrasives. A product intended for the cleaning of appliances is recommended.

For 50 Hz gas model dryers and 50/60 Hz steam dryers, re-grease the impellor (fan) motor with Chevron SR #1-2 grease or equivalent, unless otherwise stamped on the motor label. Check **ALL** V-belts for tightness and wear. Retighten, realign, or replace V-belt if required.

## **B. ADJUSTMENTS**

### *7 Days After Installation and Every 6 Months Thereafter*

Inspect bolts, nuts, screws (bearing set screws), non-permanent gas connections (unions, shut-off valves, orifices, and grounding connections). Motor and drive belts **should be** examined. Cracked or seriously frayed belts **should be** replaced. Tighten loose V-belts when necessary. Complete operational check of controls and valves. Complete operational check of **ALL** safety devices (door switch, lint drawer switch, sail switch, burner and hi-limit thermostats).

## **C. LUBRICATION**

1. Impellor (fan) shaft bearings **should be** lubricated every three (3) months.
2. The motor bearings, idler bearings, and tumbler bearings are permanently lubricated. **NO LUBRICATION IS NECESSARY.**

# SECTION VII

## TROUBLESHOOTING

The information provided will help isolate the most probable component(s) associated with the difficulty described. The experienced technician realizes, however, that a loose connection or broken/shorted wire may be at fault where electrical components are concerned...not necessarily the suspected component itself. Electrical parts **should always be checked for failure** before being returned to the factory.

**IMPORTANT:** When replacing blown fuses, the replacement **must be** of the exact rating as the fuse being replaced. The information provided **should not** be misconstrued as a handbook for use by an untrained person in making repairs.

**WARNING:** ALL SERVICE and TROUBLESHOOTING **SHOULD BE PERFORMED BY A QUALIFIED PROFESSIONAL OR SERVICE AGENCY.**

**WARNING:** WHILE MAKING REPAIRS, OBSERVE ALL SAFETY PRECAUTIONS DISPLAYED ON THE DRYER OR SPECIFIED IN THIS MANUAL.

### **A. No display...**

1. Service panel fuse blown or tripped breaker.
2. Blown FU1 fuse 1 or FU2 fuse 2.
3. Failed microprocessor controller (computer).

### **B. Drive motor not operating (does not start)...**

1. Failed drive motor contactor (relay).
2. Failed arc suppressor (A.S.) board.
3. Failed drive motor.
4. Failed microprocessor controller (computer).

### **C. Drive motor (reversing) operates in one direction only...stops and restarts in same direction...**

1. Failed reversing contactor (relay).
2. Failed arc suppressor (A.S.) board.
3. Failed microprocessor controller (computer).

**D. Drive motor operates okay for a few minutes, and then stops and will not restart...**

1. Motor is overheating and tripping out on internal overload protector ...
  - a. Motor air vents clogged with lint.
  - b. Low voltage to the motor.
  - c. Failed motor.
  - d. Basket (tumbler) is binding...check for an obstruction.
  - e. Failed idler bearings or tumbler bearings.

**E. Blower motor not operating (does not start)...**

1. Failed blower motor contactor (relay).
2. Failed arc suppresser (A.S.) board.
3. Failed motor.
4. Failed microprocessor controller (computer).

**F. Blower motor operates okay for a few minutes, and then stops and will not restart...**

1. Motor is overheating and tripping out on internal overload protector ...
  - a. Motor air vent is clogged with lint.
  - b. Low voltage to motor.
  - c. Failed motor.
  - d. Failed (out of balance) impellor (fan/blower).
  - e. V-belts too tight...impellor (fan) shaft bearings have failed (ALL except 60 Hz gas models).

**G. Both drive motor and blower motor not operating (do not start)...microprocessor (computer) motor indicator dots and relay output L.E.D. indicators dots are on...**

1. Failed arc suppresser (A.S.) board.
2. Failed contactors (both blower and drive).
3. Failed (both blower and drive) motor.

**H. Both drive motor and blower motor not operating (do not start)...microprocessor (computer) motor indicator dots and "door" L.E.D. indicator are on but relay output L.E.D. indicators are off (L.E.D. display does not read "door")...**

1. Failed microprocessor controller (computer).



**I. Both drive motor and blower motor run a few minutes and stop...microprocessor controller (computer) L.E.D. display continues to read time or percent of extraction and ALL indicator dots are off...**

1. Fault in main door switch circuit ...

- a. Main door switch out of adjustment.
- b. Loose connection in door switch circuit.

2. Fault in lint drawer switch circuit ...

- a. Lint drawer switch out of proper adjustment.
- b. Loose connection in lint drawer switch circuit.

**J. Microprocessor controller (computer) display reads "dSFL" continuously and the buzzer (tone) sounds every 30-seconds...**

1. Fault in microprocessor heat-sensing circuit ...

- a. Failed microprocessor temperature sensor.
- b. Blown "dSFL" 1/8-amp fuse on the microprocessor controller (computer).
- c. Failed microprocessor controller (computer).
- d. Broken wire or connection somewhere between the microprocessor controller (computer) and microprocessor temperature sensor.

**K. Microprocessor controller (computer) display reads "door" and microprocessor controller (computer) "door" L.E.D. indicator is off..**

1. Fault (open circuit) in main door/lint drawer switch circuit ...

- a. Lint drawer not closed all the way.
- b. Lint drawer switch out of proper adjustment.
- c. Failed lint drawer switch.
- d. Failed main door switch.
- e. Broken connection/ wire in main door or lint drawer circuit.
- f. Failed 24 VAC stepdown transformer.

**L. Microprocessor controller (computer) L.E.D. display reads "door" and microprocessor controller (computer) "door" L.E.D. indicator is on...**

1. Failed microprocessor controller (computer).

**M. Microprocessor controller (computer) will not accept any keyboard (touchpad) entries, i.e., display reads "FILL" and when keyboard entries are selected, the display continues to read "FILL"...**

1. Failed keyboard label (touchpad) assembly.
2. Failed microprocessor controller (computer).

**N. Microprocessor controller (computer) will only accept certain keyboard (touchpad) entries...**

1. Failed keyboard label (touchpad) assembly.

**O. Microprocessor controller (computer) locks up and display reads erroneous message(s) or only partial segments**

1. Transient power voltage (spikes)...disconnect power to dryer, wait one (1) minute and reestablish power to dryer...if problem is still evident:
  - a. Failed microprocessor controller (computer).
  - b. Failed keyboard label (touchpad) assembly.

**P. Dryer stops during a cycle, microprocessor controller (computer) buzzer (tone) sounds for 5-seconds, L.E.D. display reads "dSFL", for approximately 30-seconds, and then returns to "FILL"...**

1. Loose connection somewhere between the microprocessor controller (computer) and the microprocessor temperature sensor.

**Q. Dryer stops during a cycle, microprocessor controller (computer) buzzer (tone) sounds for 5-seconds, and then the L.E.D. display returns to "FILL"...**

1. Loose connection somewhere in the main power circuit to the microprocessor controller (computer).
2. Failed arc suppressor (A.S.) board.

**R. Microprocessor controller (computer) L.E.D. display reads "SEFL"...**

1. Rotational sensor circuit (option) failure...fault somewhere in basket (tumbler) rotation or circuit ...
  - a. Basket (tumbler) not rotating ...
    - 1) Broken V-belt.
    - 2) Failure in drive motor circuit...refer to **Section B** and **Section C** on **page 44** and **Section D** on **page 45**.
  - b. Bad rotational sensor.
  - c. Broken wire or connection between sensor and microprocessor controller (computer).
2. Microprocessor controller (computer) program circuit (PL02) is set incorrectly in the active mode ("SEn") where the dryer is not equipped with the optional rotational sensor...program **should be** set as "nSEn."

**S. Microprocessor controller (computer) L.E.D. display reads "Hot"...**

1. Possible overheating condition...microprocessor controller (computer) has sensed a temperature which has exceeded 220°F

"Hot" display will not clear until temperature sensed has dropped to 220°F or lower and the microprocessor controller (computer) is manually reset by pressing the "CLEAR/STOP" key.

**T. Gas heating unit is not operating (no Heat)...no spark at burner area when dryer is first started and both the heat indicator dot and the "HEAT" output L.E.D. are on...**

1. Fault in sail switch circuit ...
  - a. Sail switch is out of adjustment or has failed.
  - b. Sail switch damper is not closing or is fluttering ...
    - 1) Lint drawer/screen is dirty.
    - 2) Restriction in exhaust.
    - 3) No exhaust air flow (*for 50Hz MODELS ONLY*).
      - a) Failed impellor (fan).
      - b) Failed impellor (fan) drive belt.

2. Fault in burner hi-limit circuit or thermostat.
3. Fault in lint chamber sensor bracket hi-heat protector thermostat.
4. Failed direct spark ignition (DSI) module.
5. Failed DSI ignitor/flame-probe assembly.
6. Failed microprocessor controller (computer).

**U. Heating unit (*for GAS MODEL or STEAM MODEL*) is not operating (no heat) and microprocessor controller (computer) heat indicator is on but the "HEAT" relay output L.E.D. is not on**

1. Failed microprocessor controller (computer)

**V. No heat (*for GAS MODELS ONLY*)...ignitor sparks, burner goes on and off right away..**

1. DSI ignitor/flame-probe out of adjustment... reposition closer to the flame area.
2. Sail switch is fluttering ...
  - a. Lint drawer/screen is dirty.
  - b. Restriction in exhaust duct work.

3. Insufficient make-up air.
4. Failed ignitor/flame-probe assembly.
5. Failed Direct Spark Ignition (DSI) module.
6. Failed gas valve.

**W. No heat (*for STEAM MODELS ONLY*)...both heat indicator dot and "HEAT" relay output L.E.D. are on...**

1. Fault in lint chamber sensor bracket hi-heat (limit) protector thermostat.
2. No (external) compressed air to steam damper... 80 PSI is required.
3. Failed steam damper 24 VAC pneumatic solenoid switch.
4. Failed piston.
5. Damper stuck closed.

**X. Dryer operates but is taking too long to dry...**

1. Exhaust duct work run too long or is undersized...back pressure cannot exceed .3 inches W.C.
2. Restriction in exhaust ...
  - a. Customer-furnished exhaust back draft damper is sticking partially closed.
  - b. Restriction in duct work...check duct work from dryer all the way to the outdoors.
  - c. No exhaust air flow (*for ALL BUT 60 Hz GAS MODELS ONLY*) ...
    - 1) Failed impellor (fan).
    - 2) Failed impellor (fan) drive belt.
3. Low and/or inconsistent gas pressure (*for GAS MODELS ONLY*).
4. Insufficient make-up air.
5. Poor air/gas mixture at burner...yellow or poor flame pattern. Adjust gas burner air adjustment shutters (*for GAS MODELS ONLY*).
6. Lint drawer/screen not being cleaned on a regular basis or often enough.
7. Extractors (washers) not performing properly.
8. Sail switch is fluttering...restriction in exhaust (*for GAS MODELS ONLY*).
9. Failed microprocessor controller (computer)...temperature calibration is inaccurate.
10. Failed microprocessor temperature sensor...calibration is inaccurate.

11. Failed burner hi-limit for (*for GAS MODELS ONLY*).
12. Failed lint chamber hi-heat protector thermostat.
13. Steam damper system not functioning properly (*for STEAM MODELS ONLY*).
  - a. Steam damper sticking closed.
  - b. Leak in pneumatic system.
14. Loose fan V-belts (*except 60 Hz GAS MODELS*).

**Y. Condensation on main door glass...**

1. Too long, undersized, or improperly installed duct work.
2. Dryer connected to common exhaust duct with another dryer, and no back draft damper was installed in customer-furnished duct work.
3. Customer-furnished back draft damper in duct work is sticking in partially closed position.

**Z. Dryer or scraping noise at basket (tumbler) area...**

1. Check for object caught in basket (tumbler)/ wrapper area.
2. Basket is out of proper alignment.
  - a. Check both vertical and lateral alignment.
  - b. Check gap between front panel and basket (tumbler)...set screws may have come loose, and basket (tumbler) walked forward or back.
3. Loose basket (tumbler) tie rod.
4. Failed basket (tumbler) support.

**AA. Excessive noise and/or vibration...**

1. Dryer is not leveled properly.
2. Impellor (fan) out of balance.
  - a. Excessive lint build-up on impellor (fan).
  - b. Failed impellor (fan).
3. Loose basket (tumbler) tie rod.
5. Failed basket (tumbler) support.
6. Loose motor mount.

7. Failed idler, basket (tumbler), or fan bearings.
8. V-belt(s) either too tight or too loose.
9. Set screws of the basket (tumbler) drive shaft are loose.
10. Failed motor bearings.

ADC 112141 1-05/29/92-100 2\*- 12/18/92-100 3\*-01/04/93-100  
4\*-06/11/93-100 5\*-11/17/93-100 6\*-04/06/94-100

