



AD-215 / 220 / 230
Parts Manual
1990 / 1991

American Dryer Corporation
88 Currant Road
Fall River, MA 02720-4781
Telephone: (508) 678-9000 / Fax: (508) 678-9447
E-mail: techsupport@amdry.com

www.amdry.com

Retain This Manual In A Safe Place For Future Reference

American Dryer Corporation products embody advanced concepts in engineering, design, and safety. If this product is properly maintained, it will provide many years of safe, efficient, and trouble free operation.

ONLY qualified technicians should service this equipment.

OBSERVE ALL SAFETY PRECAUTIONS displayed on the equipment or specified in the installation manual included with the dryer.

The following “**FOR YOUR SAFETY**” caution must be posted near the dryer in a prominent location.

FOR YOUR SAFETY

Do not store or use gasoline or other flammable vapors and liquids in the vicinity of this or any other appliance.

POUR VOTRE SÉCURITÉ

Ne pas entreposer ni utiliser d'essence ni d'autres vapeurs ou liquides inflammables à proximité de cet appareil ou de tout autre appareil.

We have tried to make this manual as complete as possible and hope you will find it useful. ADC reserves the right to make changes from time to time, without notice or obligation, in prices, specifications, colors, and material, and to change or discontinue models.

Important

For your convenience, log the following information:

DATE OF PURCHASE _____ MODEL NO. _____

RESELLER'S NAME _____

Serial Number(s) _____

Replacement parts can be obtained from your reseller or the ADC factory. When ordering replacement parts from the factory, you can FAX your order to ADC at (508) 678-9447 or telephone your order directly to the ADC Parts Department at (508) 678-9000. Please specify the dryer model number and serial number in addition to the description and part number, so that your order is processed accurately and promptly.

The illustrations on the following pages may not depict your particular dryer exactly. The illustrations are a composite of the various dryer models. Be sure to check the descriptions of the parts thoroughly before ordering.

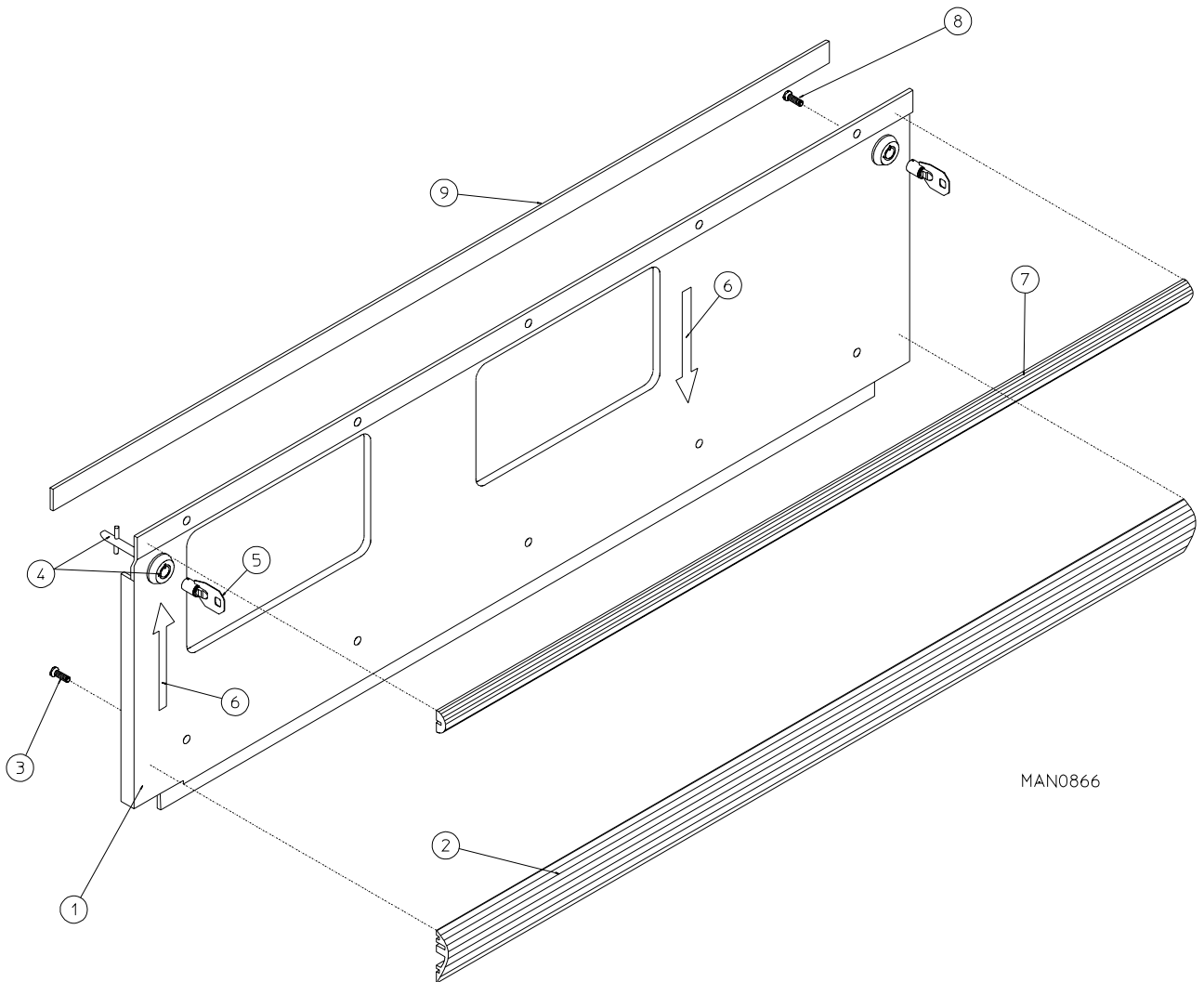
“IMPORTANT NOTE TO PURCHASER”

Information must be obtained from your local gas supplier on the instructions to be followed if the user smells gas. These instructions must be posted in a prominent location near the dryer.

Table of Contents

AD-215 / 220 / 230 Control Door Assembly	5
AD-215 / 220 / 230 Microprocessor Control Panel / Box Assemblies for Single Coin Models Only	6
AD-215 / 220 / 230 Microprocessor Control Panel / Box Assemblies for Dual Coin Models Only	8
AD-215 / 220 / 230 Microprocessor Control Panel / Box Assemblies for Non-Coin Models Only	10
AD-215 / 220 / 230 Lower Service Door Assembly	12
AD-215 / 220 / 230 Lint Screen Assembly	13
AD-215 / 220 / 230 Front Panel Assembly – Latch-Type	14
AD-215 / 220 / 230 Front Panel Assembly – Magnet-Type	15
Main Door Switch Assembly – N.S. Series	16
Main Door Switch Assembly – Plunger-Type	17
Main Door Assembly – Latch-Type	18
Main Door Assembly – Magnet-Type	19
AD-215 Tumbler / Support Assembly – Tapered Rib for Models Mfd. as of December 18, 1991	20
AD-215 Tumbler / Support Assembly – Standard Rib for Models Mfd. prior to December 18, 1991	21
AD-220 Tumbler / Support Assembly – Tapered Rib for Models Mfd. as of November 23, 1991	22
AD-220 Tumbler / Support Assembly – Standard Rib for Models Mfd. prior to November 23, 1991	23
AD-230 Tumbler / Support Assembly – Tapered Rib for Models Mfd. as of April 18, 1991	24
AD-230 Tumbler / Support Assembly – Standard Rib for Models Mfd. prior to April 18, 1991	25
AD-215 / 220 / 230 Temperature Sensor Bracket Assembly	26
Sail Switch Assembly	27
Tumbler Bearing Assembly	28
Idler Bearing Assembly	29
AD-215 / 220 / 230 Totally Enclosed, Fan-Cooled Motor Mount Assembly For Single-Phase (1Ø) Models with Plug-Type Motor and Tapered Ribs	30
AD-215 / 220 / 230 Totally Enclosed, Fan-Cooled Motor Mount Assembly For Single-Phase (1Ø) Models with Plug-Type Motor and Non-Tapered Ribs	31

AD-215 / 220 / 230 Totally Enclosed, Fan-Cooled Motor Mount Assembly For Single-Phase (1Ø) and Three-Phase (3Ø) Models without Plug-Type Motor and with Tapered Ribs	32
AD-215 / 220 / 230 Totally Enclosed, Fan-Cooled Motor Mount Assembly For Single-Phase (1Ø) and Three-Phase (3Ø) Models without Plug-Type Motor and with Non-Tapered Ribs	34
ADG-215 / 220 / 230 Direct Spark Ignition Gas Valve / Burner Assembly For Models Mfd. as of November 21, 1991	36
ADG-215 / 220 / 230 Direct Spark Ignition Gas Valve / Burner Assembly For Models Mfd. prior to November 21, 1991	38
ADG-215 / 220 / 230 Gas Piping Assembly for Models Mfd. as of April 26, 1991	40
ADG-215 / 220 / 230 Gas Piping Assembly for Models Mfd. prior to April 26, 1991	41
ADE-215 / 220 / 230 Electric Oven Assembly	42
AD-215 / 220 / 230 Gas Burner / Electric Oven Chamber Assembly	44
ADE-215 / 220 / 230 Electric Oven Application / Component Chart	45
AD-215 / 220 / 230 3-Phase (3Ø) Motor, Electrical Relay Panel Assembly – Telemecanique	46
AD-215 / 220 / 230 3-Phase (3Ø) Motor, Electrical Relay Panel Assembly – Furnas	47
AD-215 / 220 / 230 Exhaust Ducting Assembly	48
AD-215 / 220 / 230 Back Guard Assembly	49
Microprocessor Coin Acceptor Listing	50
ADG-215 / 220 / 230 Direct Spark Ignition Burner Assembly Specifications	51
Additional Parts Available	52

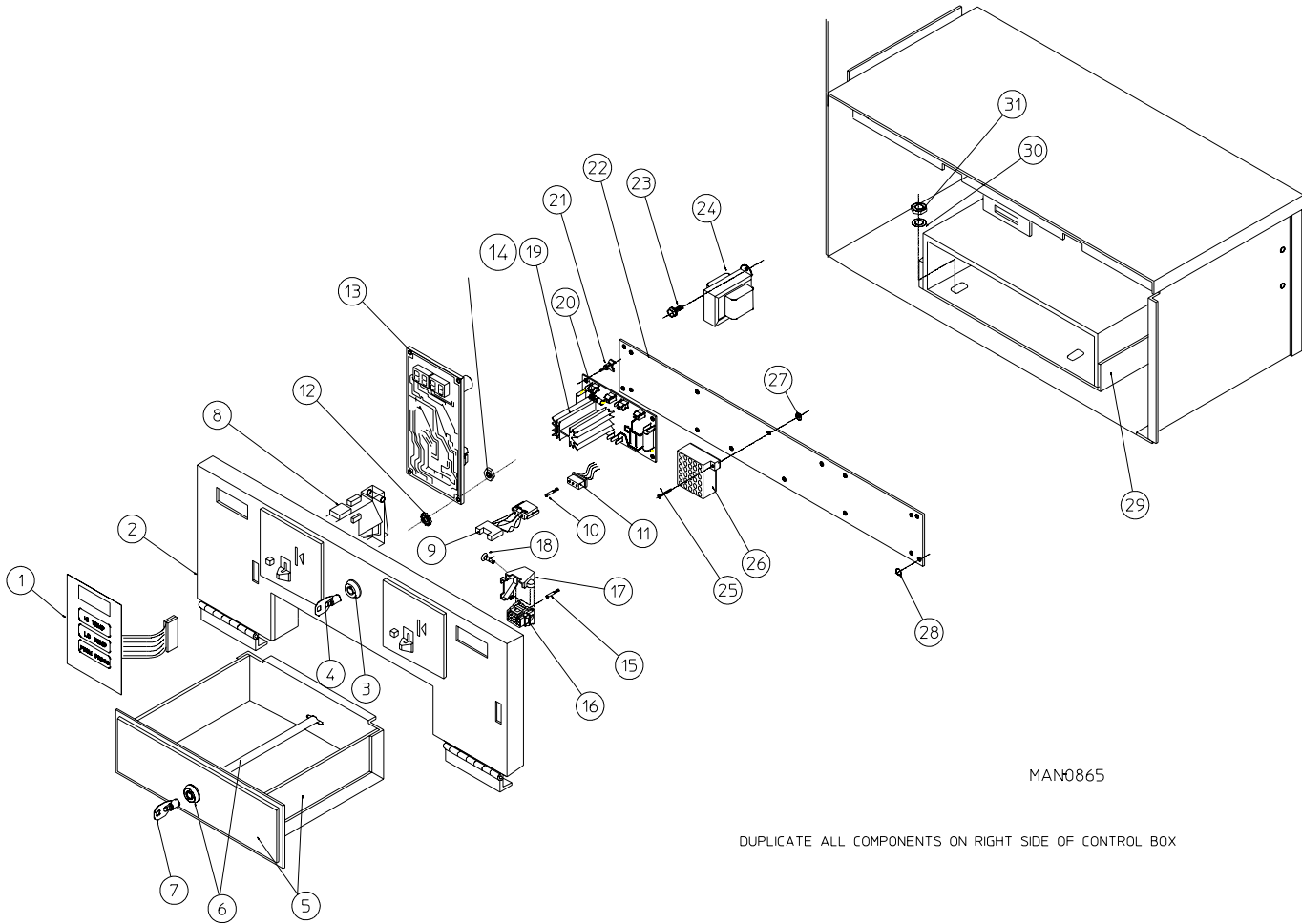


Illus. No.	Part No.	Qty.	Description
1	880136*	1	AD-215 / 220 / 230 Control Door Assembly Complete Less Locks (includes illus. nos. 1 through 3 and 6 through 9)
	880135	1	AD-215 / 220 / 230 Stainless Steel Control Door Assembly Complete Less Locks (includes illus. nos. 1 through 3 and 6 through 9)
	850432*	1	AD-215 / 220 / 230 Control Door Only
	850416	1	AD-215 / 220 / 230 Stainless Steel Control Door Only
2	180213	1	Lower Trim Strip (28-3/8" length)
3	150201	5	#10-32 x 1/4" Phillips Round Head Machine Screw
4	160040	2	ACE® Lock Assembly Only without Key
5	160140	2	ACE® Key Only (key no. XX4451)
6	112077	2	"Arrow" Label
7	180205	1	Upper Trim Strip (28-3/8" length)
8	150201	5	#10-32 x 1/4" Phillips Round Head Machine Screw
9	117600	3	Noise Suppressor Tape (sold by the foot)

* Specify color when ordering.

AD-215 / 220 / 230 Microprocessor Control Panel / Box Assemblies

For Single Coin Models Only



Illus. No.	Part No.	Qty.	Description
1	112526	1	Coin Keypad Label Assembly
2	800072	1	AD-215 / 220 / 230 Phase 4.1 Microprocessor Coin Control Panel Assembly (includes illus. nos. 1, 2, and 12 through 14)
	800193	1	AD-215 / 220 / 230 Phase 4.1 Microprocessor Coin Control Panel Assembly with Battery Option (includes illus. nos. 1, 2, and 12 through 14)
3	160041	1	ACE® Lock Assembly Only without Key (for control panel assembly)
4	160141	1	ACE® Key Only (key no. XX4469) (for control panel lock)
5	802142	1	AD-215 / 220 / 230 Standard Coin Box Assembly Only
	802143	1	AD-215 / 220 / 230 High-Security Coin Box Assembly Only
	316076	1	AD-215 / 220 / 230 Coin Box Deflector

AD-215 / 220 / 230 Microprocessor Control Panel / Box Assemblies

For Single Coin Models Only

<u>Illus. No.</u>	<u>Part No.</u>	<u>Qty.</u>	<u>Description</u>
6*	160042	1	ACE® Standard Coin Box Lock Assembly Only with Key
	160020	1	Standard Coin Box Lock Assembly Only with Key
	160043	1	ACE® High-Security Coin Box Lock Assembly Only with Key
	160022	1	High-Security Coin Box Lock Assembly Only
7*	160112	1	Key Only (for standard coin box lock)
	160113	1	Key Only (for high-security coin box lock)
8	————	1	Microprocessor Single Coin Acceptor with Optical Switch (refer to Microprocessor Coin Acceptor Listing on page 50)
9	137056	1	Optical Switch Only (Greenwald)
10	137021	3	Microprocessor Socket Only
11	137023	1	Optical Switch Connector Only
	865050	1	Single Coin Optical Switch Harness Only
12	153012	4	#8 Star Washer
13	137130	1	Phase 4.1 Coin Controller Only
	137131	1	Phase 4.1 Coin Controller Only with Battery Clip
14	152001	4	#8-32 Hex Nut
15	137021	13	Microprocessor Socket Only
16	137020	1	15-Pin Microprocessor Connector Only
	122800	1	Microprocessor (female) Pin Extraction Tool
17	137022	1	15-Pin Strain Relief Only
18	150315	1	#6 x 3/8" Phillips Pan Head Screw
19	137151	1	Motor Control Solid State Relay Board Only – 1 hp, 125v-250v / 1Ø / 50/60 Hz
20**	136057	2	1/2-Amp (Slo-Blo) Fuse Only (for models mfd. as of June 15, 1990)
	136052	2	4-Amp Fuse Only (for models mfd. prior to June 15, 1990)
21	137013	4	Nylon Standoff
22	800196	1	AD-215 / 220 / 230 Control Box Panel Assembly Complete for Gas Models Only (includes illus. nos. 19 through 22 and 25 through 27)
	800197	1	AD-215 / 220 / 230 Control Box Panel Assembly Complete for Electrical Models Only (includes illus. nos. 19 through 22 and 25 through 27)
23	150300	2	#10 x 1/2" Hex Washer TEK Screw
24	141403	1	Direct Spark Ignition 24VAC Transformer
25	150002	2	#6-32 x 1" Slotted Round Head Screw
26	120715	1	30-Position Terminal Block
27	151000	2	#6-32 Pal Nut
28	151001	6	#8-32 Hex Nut
29	802140	1	AD-215 / 220 / 230 Standard Coin Vault Only
	802141	1	AD-215 / 220 / 230 High-Security Coin Vault Only
30	153018***	4	1/4" Flat Washer
31	152104	4	1/4-20 Free Spin Wash Nut
	152002***	4	1/4-20 Hex Nut

IMPORTANT: Check label on computer chip to verify correct part number for controller.

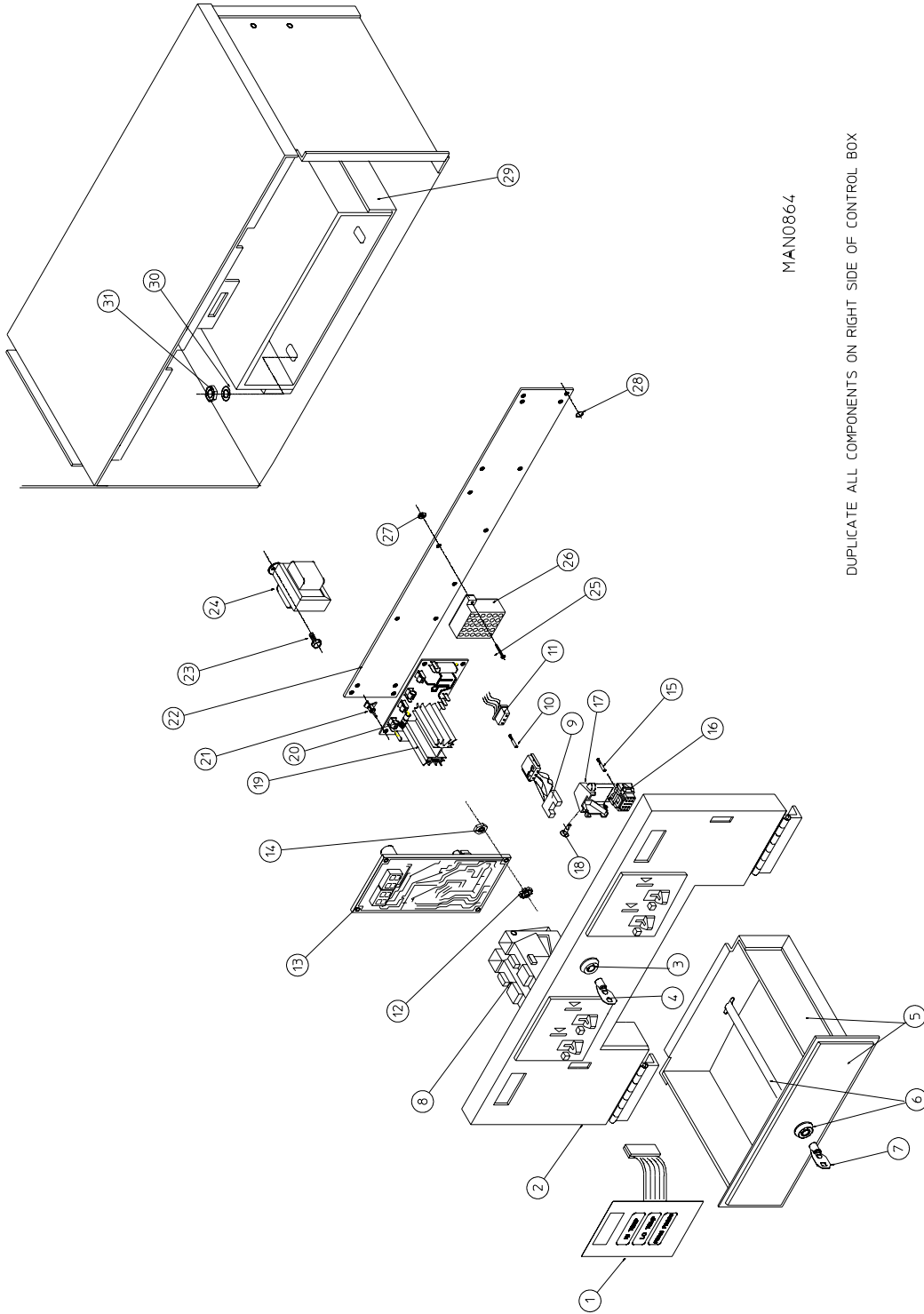
* Specify key number when ordering.

** Check fuse rating for verification.

*** For use on high-security coin vault only.

AD-215 / 220 / 230 Microprocessor Control Panel / Box Assemblies

For Dual Coin Models Only



MAN0864

DUPLICATE ALL COMPONENTS ON RIGHT SIDE OF CONTROL BOX

Illus. No.	Part No.	Qty.	Description
1	112526	1	Coin Keypad Label Assembly
2	800072	1	AD-215 / 220 / 230 Phase 4.1 Microprocessor Coin Control Panel Assembly (includes illus. nos. 1, 2, and 12 through 14)
	800193	1	AD-215 / 220 / 230 Phase 4.1 Microprocessor Coin Control Panel Assembly with Battery Option (includes illus. nos. 1, 2, and 12 through 14)

AD-215 / 220 / 230 Microprocessor Control Panel / Box Assemblies

For Dual Coin Models Only

<u>Illus. No.</u>	<u>Part No.</u>	<u>Qty.</u>	<u>Description</u>
3	160041	1	ACE® Lock Assembly Only without Key (for control panel assembly)
4	160141	1	ACE® Key Only (key no. XX4469) (for control panel lock)
5	802021	1	AD-215 / 220 / 230 Standard Coin Box Assembly Only
	802144	1	AD-215 / 220 / 230 High-Security Coin Box Assembly Only
	316076	1	AD-215 / 220 / 230 Coin Box Deflector
6*	160042	1	ACE® Standard Coin Box Lock Assembly Only with Key
	160020	1	Standard Coin Box Lock Assembly Only with Key
	160043	1	ACE® High-Security Coin Box Lock Assembly Only with Key
	160022	1	High-Security Coin Box Lock Assembly Only
7*	160112	1	Key Only (for standard coin box lock)
	160113	1	Key Only (for high-security coin box lock)
8	————	1	Microprocessor Single Coin Acceptor with Optical Switch (refer to Microprocessor Coin Acceptor Listing on page 50)
9	137056	2	Optical Switch Only (Greenwald)
10	137021	6	Microprocessor Socket Only
11	137023	2	Optical Switch Connector Only
	865051	1	Dual Coin Optical Switch Harness Only
12	153012	4	#8 Star Washer
13	137130	1	Phase 4.1 Coin Controller Only
	137131	1	Phase 4.1 Coin Controller Only with Battery Clip
14	152001	4	#8-32 Hex Nut
15	137021	14	Microprocessor Socket Only
16	137020	1	15-Pin Microprocessor Connector Only
	122800	1	Microprocessor (female) Pin Extraction Tool
17	137022	1	15-Pin Strain Relief Only
18	150315	1	#6 x 3/8" Phillips Pan Head Screw
19	137151	1	Motor Control Solid State Relay Board Only – 1 hp, 125v-250v / 1Ø / 50/60 Hz
20**	136057	2	1/2-Amp (Slo-Blo) Fuse Only (for models mfd. as of June 15, 1990)
	136052	2	4-Amp Fuse Only (for models mfd. prior to June 15, 1990)
21	137013	4	Nylon Standoff
22	800196	1	AD-215 / 220 / 230 Control Box Panel Assembly Complete for Gas Models Only (includes illus. nos. 19 through 22 and 25 through 27)
	800197	1	AD-215 / 220 / 230 Control Box Panel Assembly Complete for Electrical Models Only (includes illus. nos. 19 through 22 and 25 through 27)
23	150300	2	#10 x 1/2" Hex Washer TEK Screw
24	141403	1	Direct Spark Ignition 24VAC Transformer
25	150002	2	#6-32 x 1" Slotted Round Head Screw
26	120715	1	30-Position Terminal Block
27	151000	2	#6-32 Pal Nut
28	151001	6	#8-32 Hex Nut
29	802140	1	AD-215 / 220 / 230 Standard Coin Vault Only
	802141	1	AD-215 / 220 / 230 High-Security Coin Vault Only
30	153018***	4	1/4" Flat Washer
31	152104	4	1/4-20 Free Spin Wash Nut
	152002***	4	1/4-20 Hex Nut

IMPORTANT: Check label on computer chip to verify correct part number for controller.

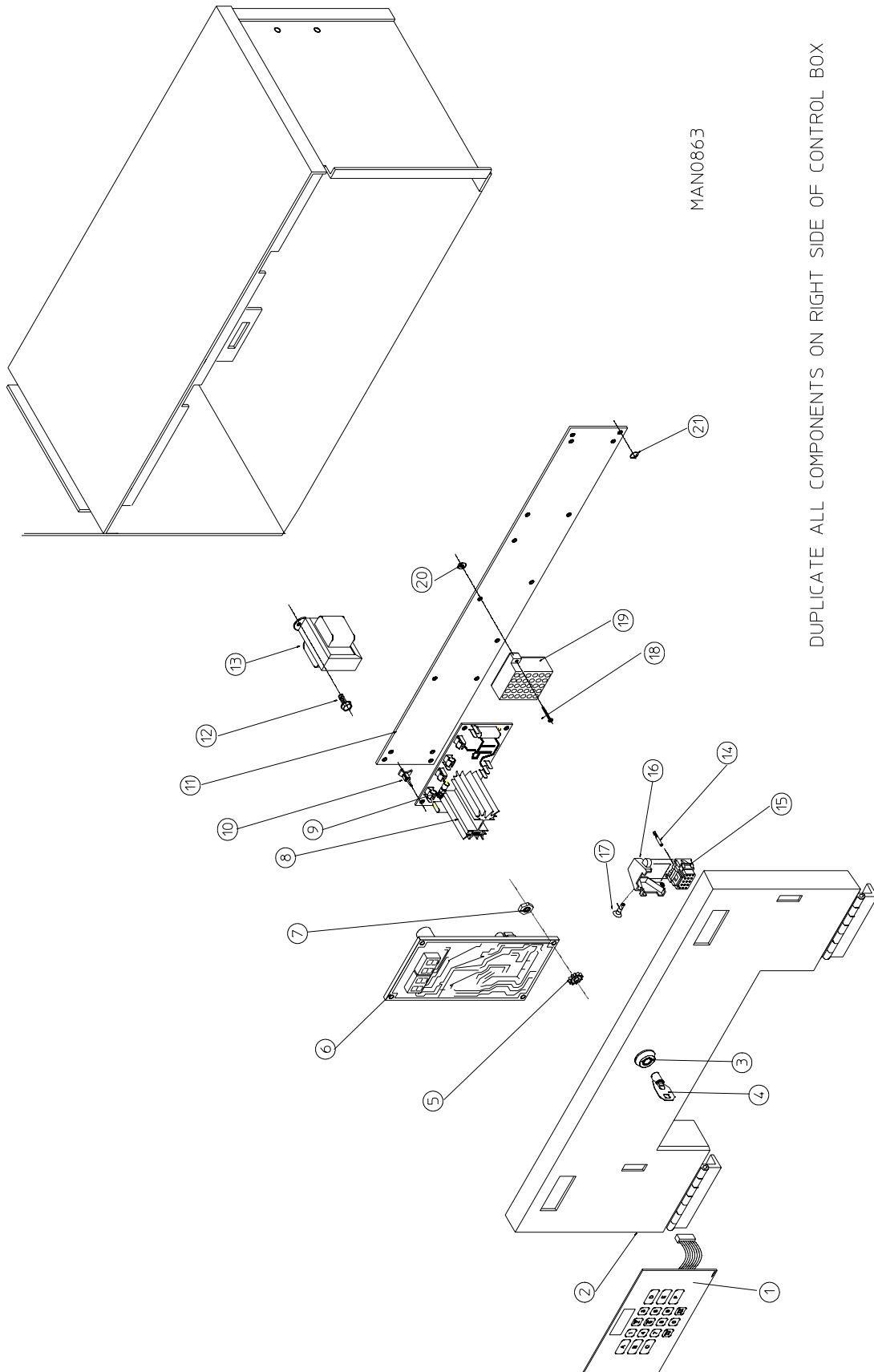
* Specify key number when ordering.

** Check fuse rating for verification.

*** For use on high-security coin vault only.

AD-215 / 220 / 230 Microprocessor Control Panel / Box Assemblies

For Non-Coin Models Only



AD-215 / 220 / 230 Microprocessor Control Panel / Box Assemblies

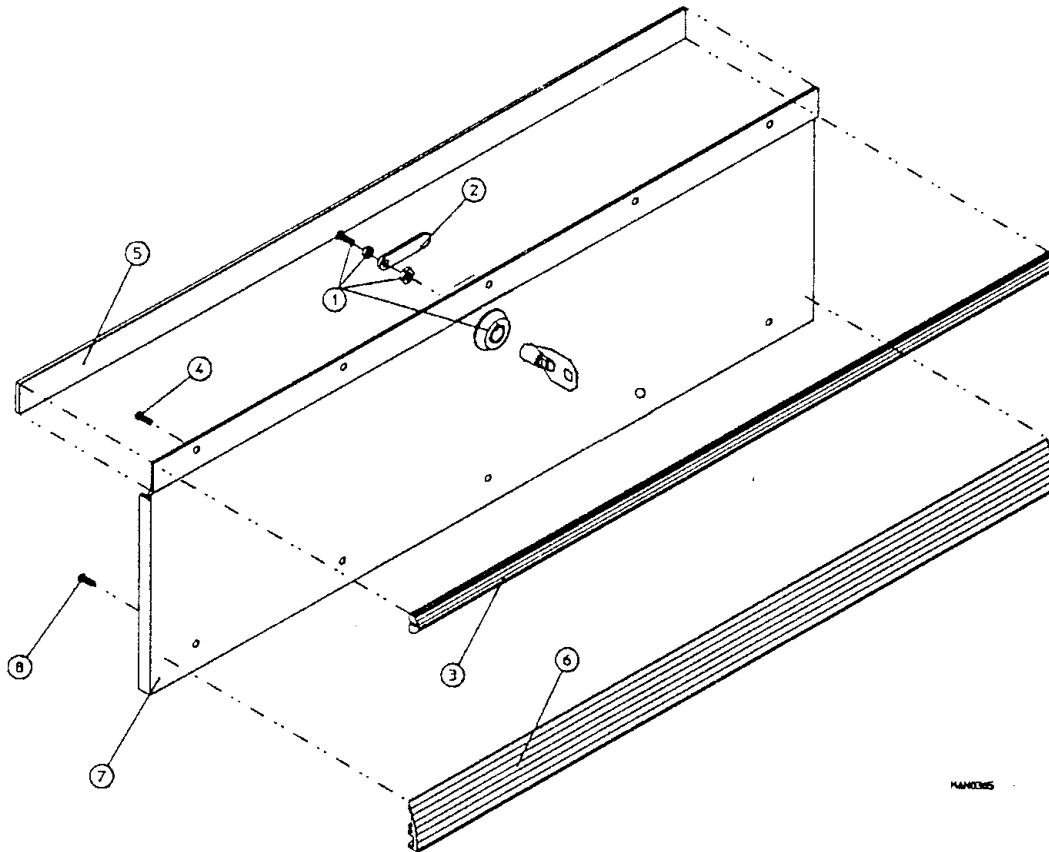
For Non-Coin Models Only

<u>Illus. No.</u>	<u>Part No.</u>	<u>Qty.</u>	<u>Description</u>
1	112535	1	Non-Coin English Keypad Label Assembly
	112276	–	Non-Coin Stick-On Labels (English Only) ... Not Illustrated
	112275	–	3-Language Non-Coin Stick-On Labels (Spanish, Italian, and Hebrew) ... Not Illustrated
	112277	–	3-Language Non-Coin Stick-On Labels (English, Spanish, and Hebrew) ... Not Illustrated
	112278	–	5-Language Non-Coin Stick-On Labels (Italian, Dutch, French, German, and Chinese) ... Not Illustrated
2	800195	1	AD-215 / 220 / 230 Phase 4 Microprocessor Coin Control Panel Assembly (includes illus. nos. 1, 2, and 5 through 7)
	800194	1	AD-215 / 220 / 230 Phase 4 Microprocessor Coin Control Panel Assembly with Battery Option (includes illus. nos. 1, 2, and 5 through 7)
3	160041	1	ACE® Lock Assembly Only without Key (for control panel assembly)
4	160141	1	ACE® Key Only (key no. XX4469) (for control panel lock)
5	153012	4	#8 Star Washer
6	137125	1	Phase 4.1 Non-Coin Controller Only
	137126	1	Phase 4.1 Non-Coin Controller Only with Battery Clip
7	152001	4	#8-32 Hex Nut
8	137151	1	Motor Control Solid State Relay Board Only – 1 hp, 125v-250v 1Ø / 50/60 Hz
9*	136057	2	1/2-Amp (Slo-Blo) Fuse Only (for models mfd. as of June 15, 1990)
	136052	2	4-Amp Fuse Only (for models mfd. prior to June 15, 1990)
10	137013	4	Nylon Standoff
11	800196	1	AD-215 / 220 / 230 Control Box Panel Assembly Complete for Gas Models Only (includes illus. nos. 8 through 11 and 18 through 20)
	800197	1	AD-215 / 220 / 230 Control Box Panel Assembly Complete for Electrical Models Only (includes illus. nos. 8 through 11 and 18 through 20)
12	150300	2	#10 x 1/2" Hex Washer TEK Screw
13	141403	1	Direct Spark Ignition 24VAC Transformer
14	137021	13	Microprocessor Socket Only
15	137020	1	15-Pin Microprocessor Connector Only
	122800	1	Microprocessor (female) Pin Extraction Tool
16	137022	1	15-Pin Strain Relief Only
17	150315	1	#6 x 3/8" Phillips Pan Head Screw
18	150002	2	#6-32 x 1" Slotted Round Head Screw
19	120715	1	30-Position Terminal Block
20	151000	2	#6-32 Pal Nut
21	151001	6	#8-32 Pal Nut

IMPORTANT: Check label on computer chip to verify correct part number for controller.

* Check fuse rating for verification.

AD-215 / 220 / 230 Lower Service Door Assembly

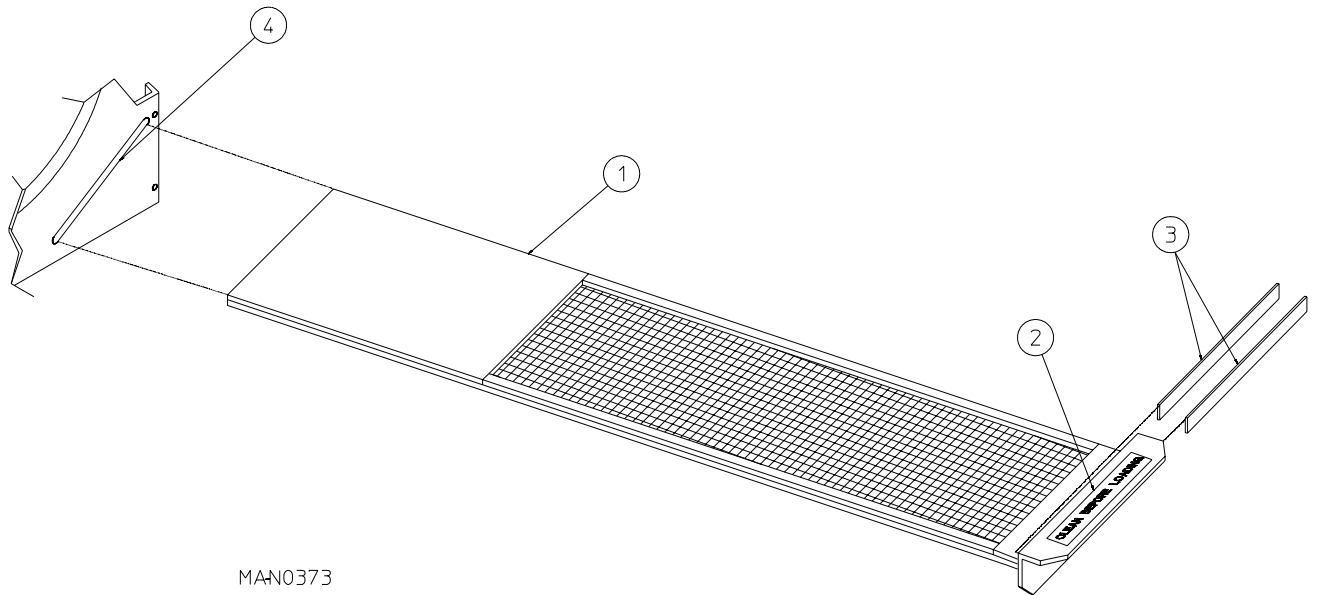


Illus. No.	Part No.	Qty.	Description
1	160038*	1	ACE® Lock Assembly Only without Key (for models mfd. as of July 20, 1992)
	160001	1	AD-100 Lock Assembly Only with Key ... Not Illustrated (for models mfd. prior to July 3, 1992)
	160140	–	ACE® Key Only (key no. XX4451) (for models mfd. as of July 20, 1992)
	160103	1	AD-100 Key Only ... Not Illustrated (for models mfd. prior to July 3, 1992)
2	160034*	1	1-3/8" Lock Cam Only (for models mfd. as of July 20, 1992)
	160016	1	1-1/4" Lock Cam Only (for models mfd. prior to July 3, 1992)
3	180205	1	Upper Trim Strip (28-3/8" length)
4	150201	5	#10-32 x 1/4" Phillips Round Head Machine Screw
5	117600	3	Noise Suppressor Tape (sold by the foot)
6	180213	1	Lower Trim Strip (28-3/8" length)
7	880138**	1	AD-215 / 220 / 230 Lower Service Door Assembly Complete Less Lock (includes illus. nos. 3 through 8)
	880137	1	AD-215 / 220 / 230 Stainless Steel Lower Service Door Assembly Complete without Lock (includes illus. nos. 3 through 8)
	850609**	1	AD-215 / 220 / 230 Lower Service Door Only
	850637	1	AD-215 / 220 / 230 Stainless Steel Lower Service Door Only
8	150201	5	#10-32 x 1/4" Phillips Round Head Machine Screw

* Parts must be purchased separately.

** Specify color when ordering.

UPPER LINT SCREEN ASSEMBLY



MAN0373

NOTE: DUPLICATE ALL COMPONENTS FOR LOWER LINT SCREEN ASSEMBLY.

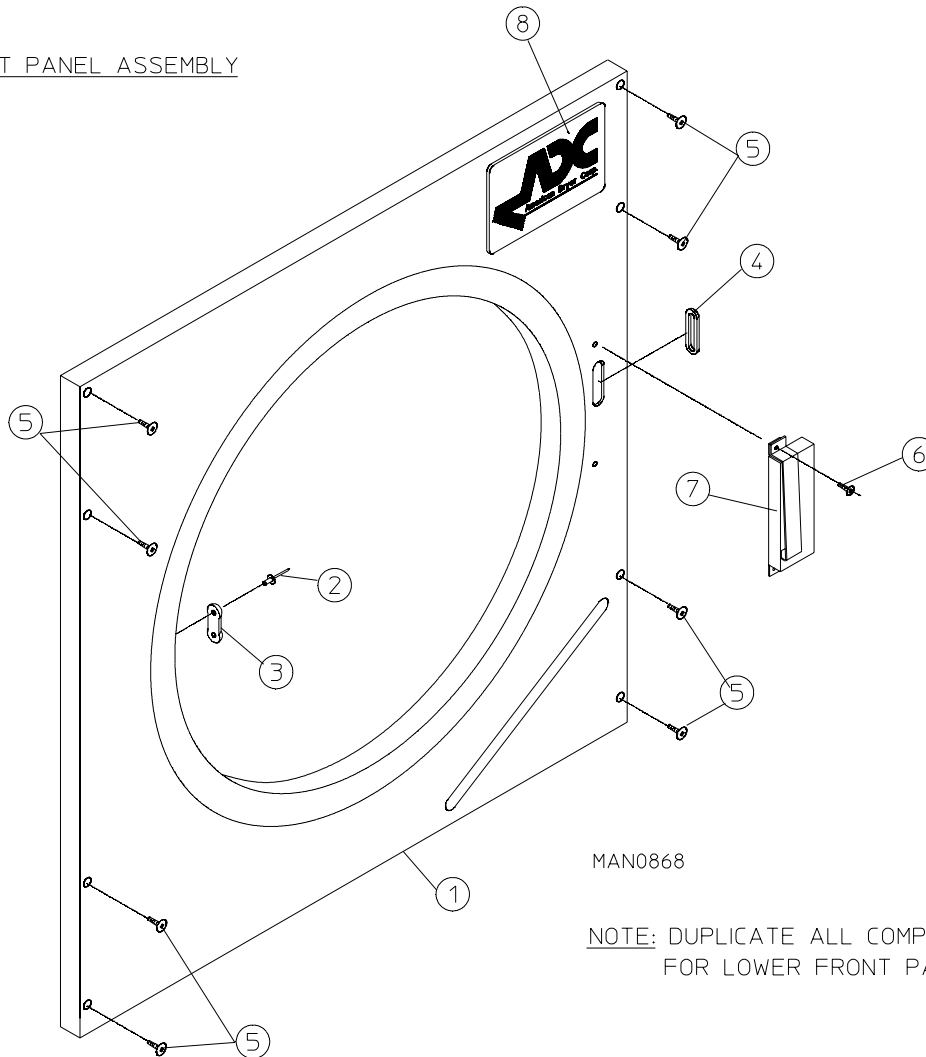
Illus. No.	Part No.	Qty.	Description
1	800417*	1	AD-215 Lint Screen Assembly Complete (includes illus. nos. 1 through 3)
	800418*	1	AD-220 Lint Screen Assembly Complete (includes illus. nos. 1 through 3)
	800416*	1	AD-230 Lint Screen Assembly Complete (includes illus. nos. 1 through 3)
	800431	1	AD-215 Stainless Steel Lint Screen Assembly Complete (includes illus. nos. 1 through 3)
	800432	1	AD-220 Stainless Steel Lint Screen Assembly Complete (includes illus. nos. 1 through 3)
	800430	1	AD-230 Stainless Steel Lint Screen Assembly Complete (includes illus. nos. 1 through 3)
2	112078	1	"Clean Before Loading" Decal
3	117600	2	Noise Suppressor Tape (sold by the foot)
4	—	1	Front Panel (refer to AD-215 / 220 / 230 Front Panel Assembly on page 14 and / or page 15)
—	880660	1	AD-215 / 220 / 230 Lint Track Cleaning Tool

* Specify color when ordering.

AD-215 / 220 / 230 Front Panel Assembly

Latch-Type

UPPER FRONT PANEL ASSEMBLY



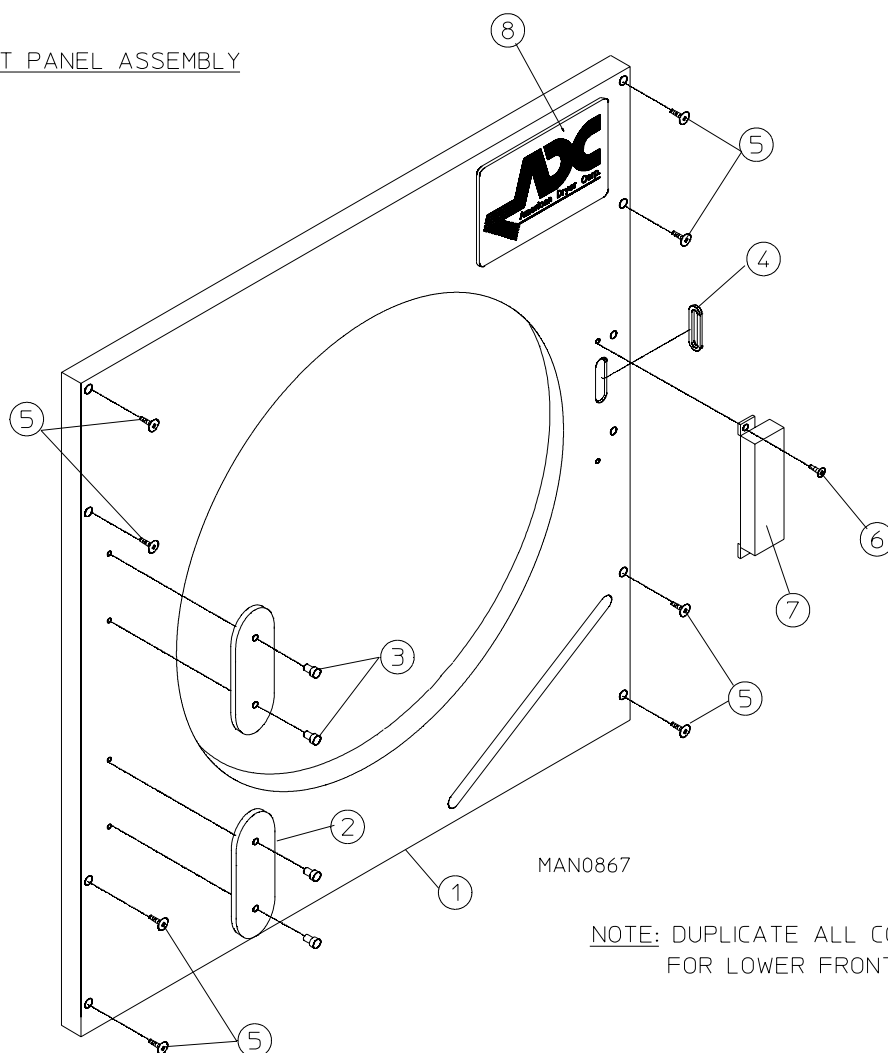
MAN0868

NOTE: DUPLICATE ALL COMPONENTS EXCEPT LOGO FOR LOWER FRONT PANEL ASSEMBLY.

Illus. No.	Part No.	Qty.	Description
1	800680*	1	AD-215 / 220 / 230 Front Panel Assembly (latch-type) Complete with Hinge (includes illus. nos. 1 through 4)
	800681	1	AD-215 / 220 / 230 Stainless Steel Front Panel Assembly (latch-type) Complete with Hinge (includes illus. nos. 1 through 4)
2	154215	2	5/32" Pop Rivet
3	170330	1	Friction Door Latch
4	121405	1	Rubber Grommet
5	150415	8	#10-16 x 1/2" Phillips Round Head Crimp-tite Screw
6	150205	2	#10-32 x 1/4" Fillister Head Screw
7	—	1	N.S. Series Door Switch (for microprocessor models mfd. as of November 21, 1990, and for non-microprocessor models mfd. as of November 15, 1990) (refer to Main Door Switch Assembly on page 16)
8	112350	1	ADC Logo Only (for upper front panel assembly only)
—	870011	1	Logo Double Tape Kit

* Specify color when ordering.

UPPER FRONT PANEL ASSEMBLY



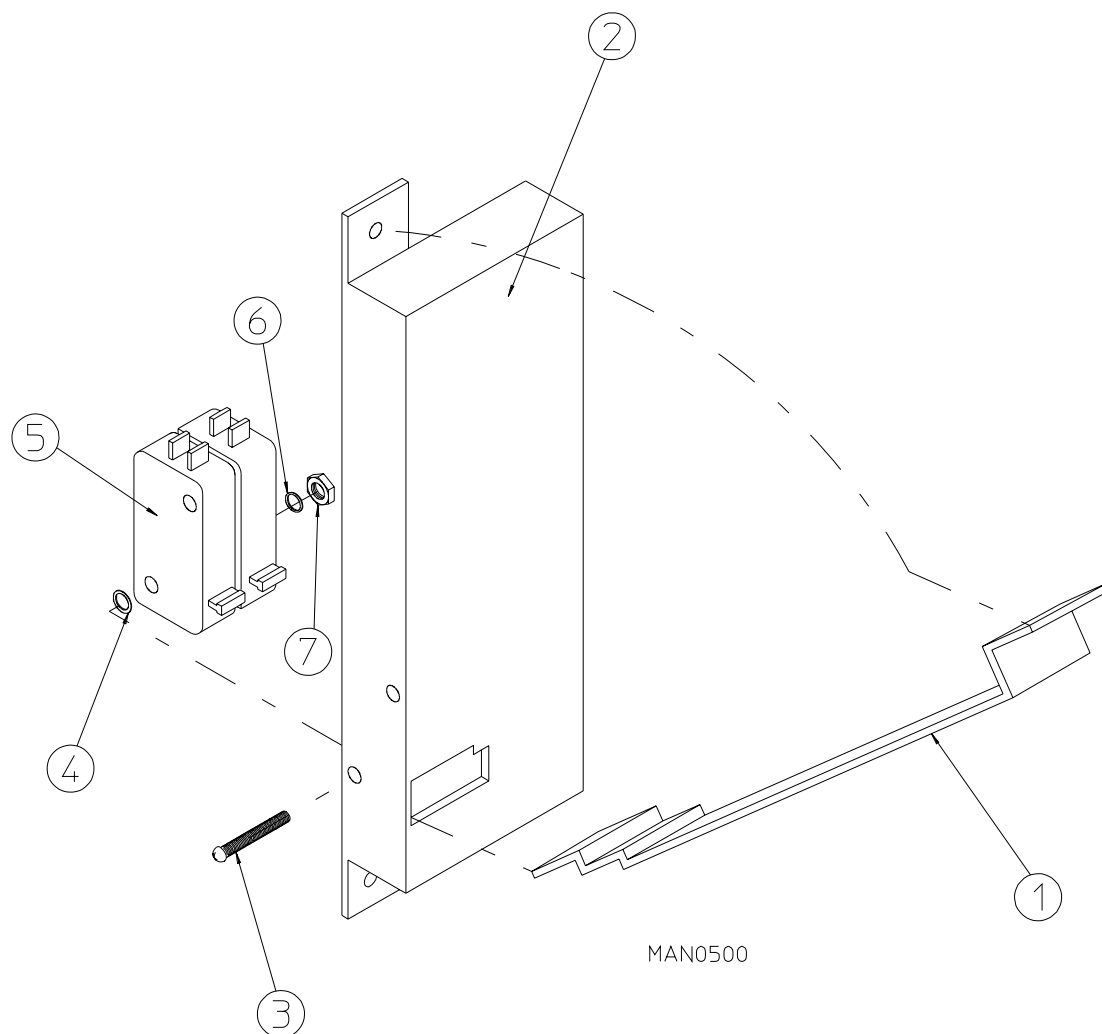
NOTE: DUPLICATE ALL COMPONENTS EXCEPT LOGO FOR LOWER FRONT PANEL ASSEMBLY.

Illus. No.	Part No.	Qty.	Description
1	880132*	1	AD-215 / 220 / 230 Front Panel Assembly (magnet-type) Complete without Hinge (includes illus. nos. 1 through 4)
	880133	1	AD-215 / 220 / 230 Stainless Steel Front Panel Assembly (magnet-type) Complete without Hinge (includes illus. nos. 1 through 4)
2	170340	2	3-1/2" Stainless Steel Striker Pad
3	154200	4	5/32" Pop Rivet
4	121405	1	Rubber Grommet
5	150415	8	#10-16 x 1/2" Phillips Round Head Crimp-tite Screw
6	150201	2	#10-32 x 1/4" Phillips Pan Head TEK Screw
7	—	1	Plunger-Type Door Switch (for microprocessor models mfd. prior to November 21, 1990, and for non-microprocessor models mfd. prior to November 15, 1990) (refer to Main Door Switch Assembly on page 17)
8	112350	1	ADC Logo Only (for upper front panel assembly only)
—	870011	1	Logo Double Tape Kit

* Specify color when ordering.

Main Door Switch Assembly

N.S. Series

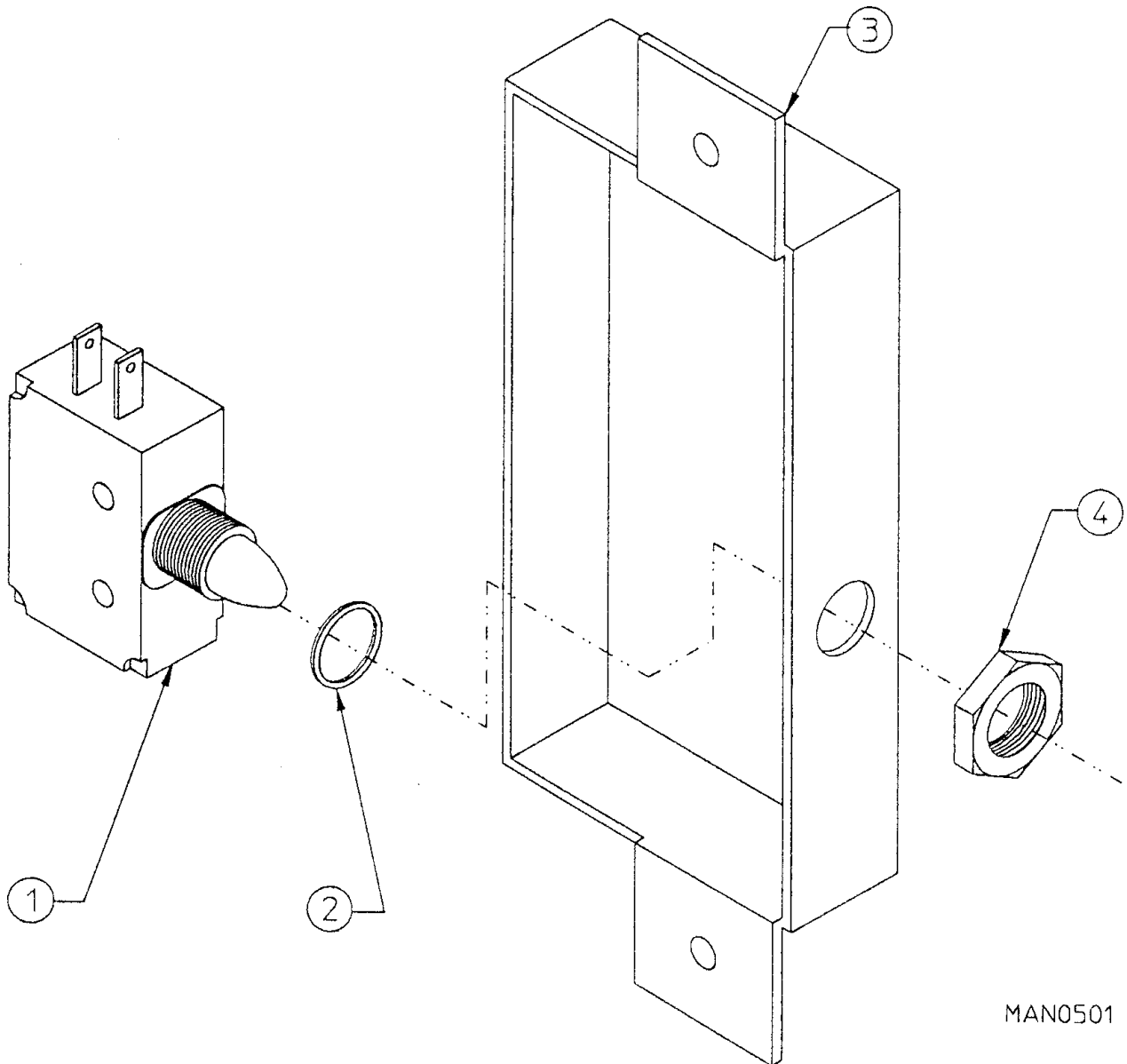


<u>Illus. No.</u>	<u>Part No.</u>	<u>Qty.</u>	<u>Description</u>
1	313215	1	Main Door Switch Actuator Arm
2	800445*	1	N.S. Series Microprocessor Main Door Switch Assembly Complete (for models mfd. as of November 21, 1990) (includes illus. nos. 1 through 7)
	800446**	1	N.S. Series Non-Microprocessor Main Door Switch Assembly Complete (for models mfd. as of November 15, 1990) (includes illus. nos. 1 through 7)
	313217	1	Main Door Switch Housing Only
3	150025	2	#4-40 x 1" Pan Head Machine Screw
4	153045	2	#4 Lock Washer
5	137004	***	N.S. Series Main Door Switch Only
6	153045	2	#4 Lock Washer
7	152016	2	#4-40 Hex Nut

* Microprocessor model dryers require two N.S. Series main door switches.

** Non-Microprocessor model dryers require one N.S. Series main door switch.

*** As required (either 1 or 2).



MAN0501

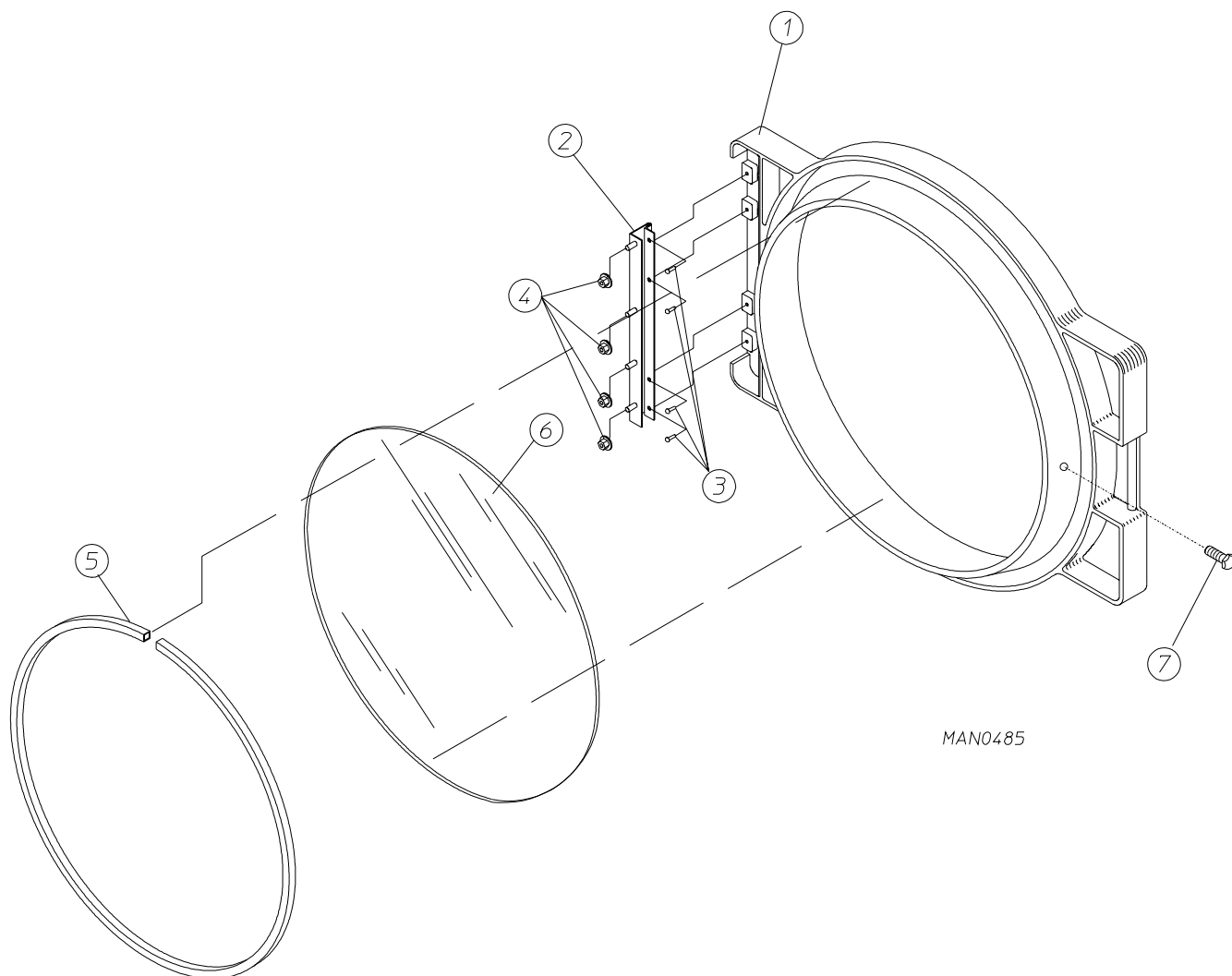
Illus. No.	Part No.	Qty.	Description
1	137003	1	Plunger-Type Main Door Switch (includes illus. nos. 1, 2, and 4)
2	401551	*	Door Switch Spacer / Washer
3	870010	1	Plunger-Type Main Door Switch Assembly Complete (includes illus. nos. 1 through 4) (for microprocessor models mfd. prior to November 21, 1990, and for non-microprocessor models mfd. prior to November 15, 1990)
	313209	1	Main Door Switch Housing Only
4	152003	1	3/8-32 x 1/2" Door Switch Nut

* As required (either 1 or 2).

Main Door Assembly

Latch-Type

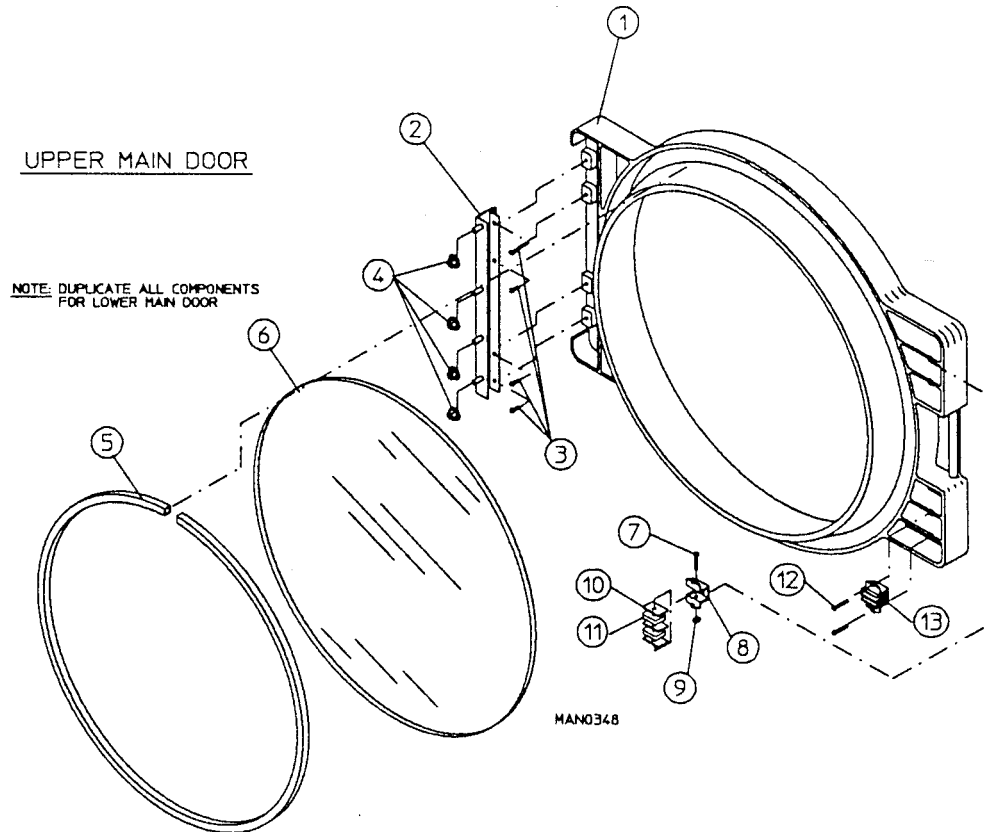
UPPER MAIN DOOR



NOTE: Duplicate all components for lower main door.

<u>Illus. No.</u>	<u>Part No.</u>	<u>Qty.</u>	<u>Description</u>
1*	800285	1	Gray Main Door Assembly (latch-type) Complete (includes illus. nos. 1 and 5 through 7)
2	103050	1	12-1/2" Stainless Steel Main Door Hinge
3	150410	4	#10-24 x 3/8" Phillips Pan Head Taptite Screw
4	152014	4	1/4-20 Free Spin Wash Nut
5	102353	1	Main Door Gasket
	170730	1	Gasket Adhesive for Lightweight Main Door Assembly
6	102210	1	20-7/16" Door Glass
	170730	1	Glass Adhesive for Lightweight Main Door Assembly
7	150431	1	Main Door Latch Screw (#10 x 7/16" dome head screw)

* Contact factory for colors other than gray.



Illus. No.	Part No.	Qty.	Description
1*	800136	1	Gray Main Door Assembly (magnet-type) Complete (includes illus. nos. 1 through 12)
	800133	1	Gray Main Door Assembly (magnet-type) Less Accessories (includes illus. nos. 1 through 3)
	800134	1	Gray Main Door Assembly (magnet-type) with Glass and Gasket Only (includes illus. nos. 1 through 3, 5, and 6)
2	103050	1	12-1/2" Stainless Steel Main Door Hinge
3	150410	4	#10-24 x 3/8" Phillips Pan Head Taptite Screw
4	152014	4	1/4-20 Free Spin Wash Nut
5	102350	1	68-1/2" Main Door Gasket
	170725	1	Gasket Adhesive for Cast Main Door Assembly
	170730	1	Gasket Adhesive for Lightweight Main Door Assembly
6	102210	1	20-7/16" Door Glass
	170725	1	Glass Adhesive for Cast Main Door Assembly
	170730	1	Glass Adhesive for Lightweight Main Door Assembly
7	150002	2	#6-32 x 1" Slotted Round Head Screw
8	102105	2	Magnet Holder Only
9	152013	2	#6-32 Hex Nut
10	306802	6	Magnet Keeper Only
11	102102	4	Door Magnet (.215) Only
12	150410	4	#10-24 x 3/8" Phillips Pan Head Taptite Screw
13	800131	2	Cast Aluminum Magnet Holder Assembly (includes illus. nos. 7 through 11)

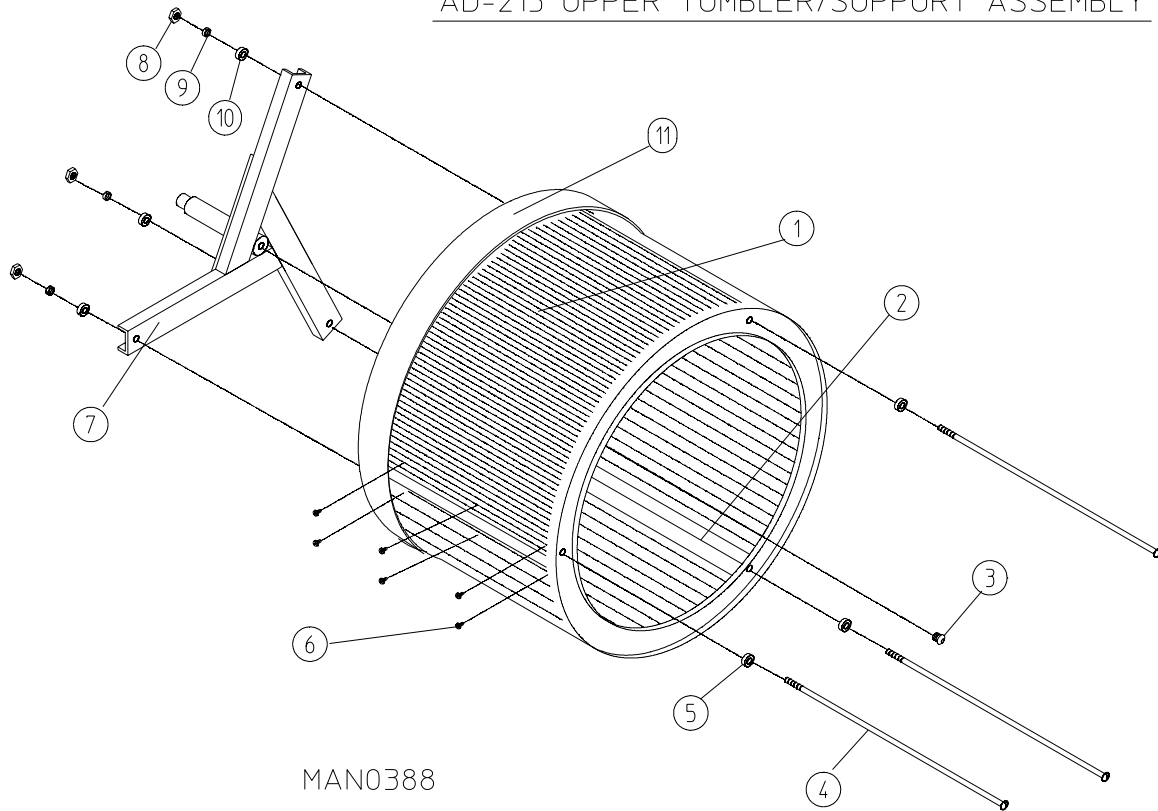
NOTE: All dryers manufactured as of June 1, 1989 are built with a lightweight main door assembly.

* Contact factory for colors other than gray.

AD-215 Tumbler / Support Assembly

Tapered Rib for Models Mfd. as of December 18, 1991

AD-215 UPPER TUMBLER/SUPPORT ASSEMBLY



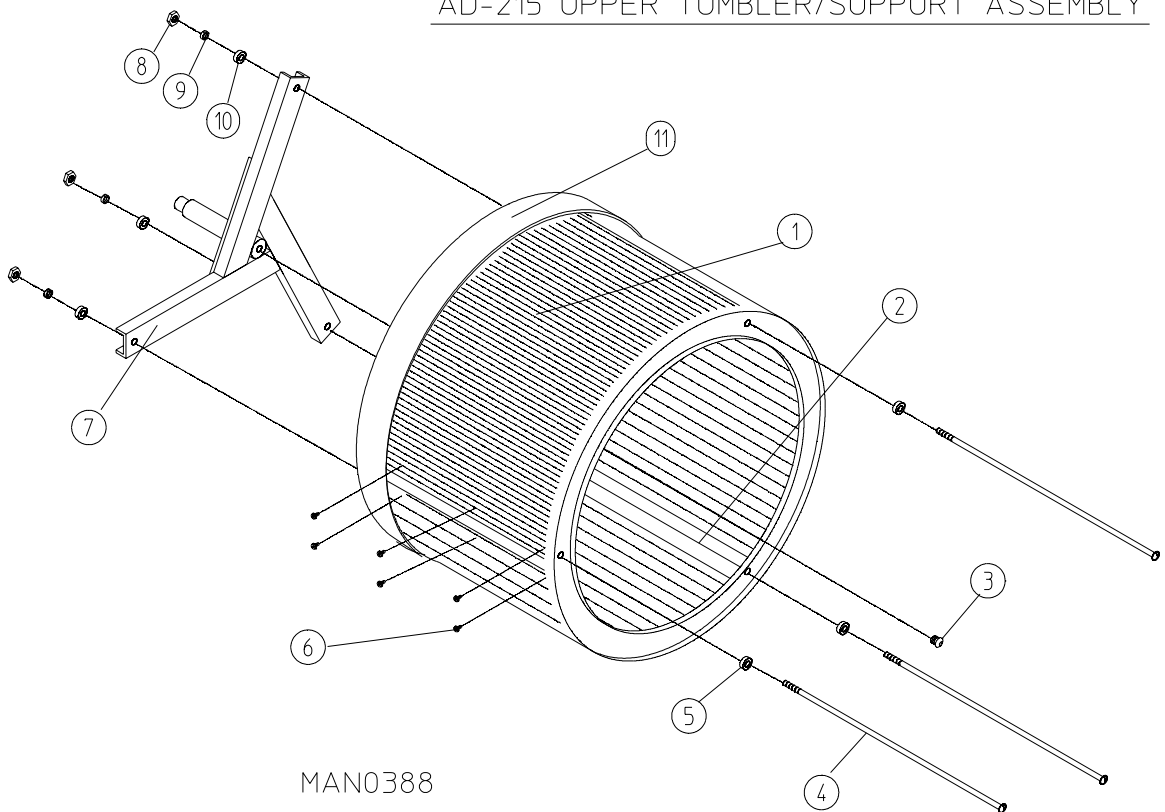
NOTE: DUPLICATE ALL COMPONENTS FOR
LOWER TUMBLER/SUPPORT ASSEMBLY.

Illus. No.	Part No.	Qty.	Description
1	800846	1	AD-215 (Tapered Rib) Basket and Support Assembly Complete with Felt Collar (includes illus. nos. 1 through 11)
	800847	1	AD-215 Stainless Steel (Tapered Rib) Basket and Support Assembly Complete with Felt Collar (includes illus. nos. 1 through 11)
	800845	1	AD-215 (Tapered Rib) Basket Only without Felt Collar (includes illus. nos. 1, 2, and 6)
	800861	1	AD-215 Stainless Steel (Tapered Rib) Basket without Felt Collar (includes illus. nos. 1, 2, and 6)
2	301319	3	AD-215 (tapered) Basket Rib Only
	301416	3	AD-215 Stainless Steel (tapered) Basket Rib Only
3	150518	1	5/16-18 x 3/8" Socket Button Head Screw
4	100906	3	5/16-18 x 16-3/4" Tie Rod
5	153003	3	3/8" x 1-1/2" Fender Washer
6	154210	18	5/32" x 3/16" Pop Rivet
7	800617	1	AD-215 / 220 / 230 Tumbler Support Only
8	152004	3	5/16-18 Hex Nut
9	153002	3	5/16" Lock Washer
10	153001	3	5/16" Flat Washer
11	116003	1	Felt Collar Only
—	401010	1	#847 Adhesive for Felt Collar

AD-215 Tumbler / Support Assembly

Standard Rib for Models Mfd. prior to December 18, 1991

AD-215 UPPER TUMBLER/SUPPORT ASSEMBLY

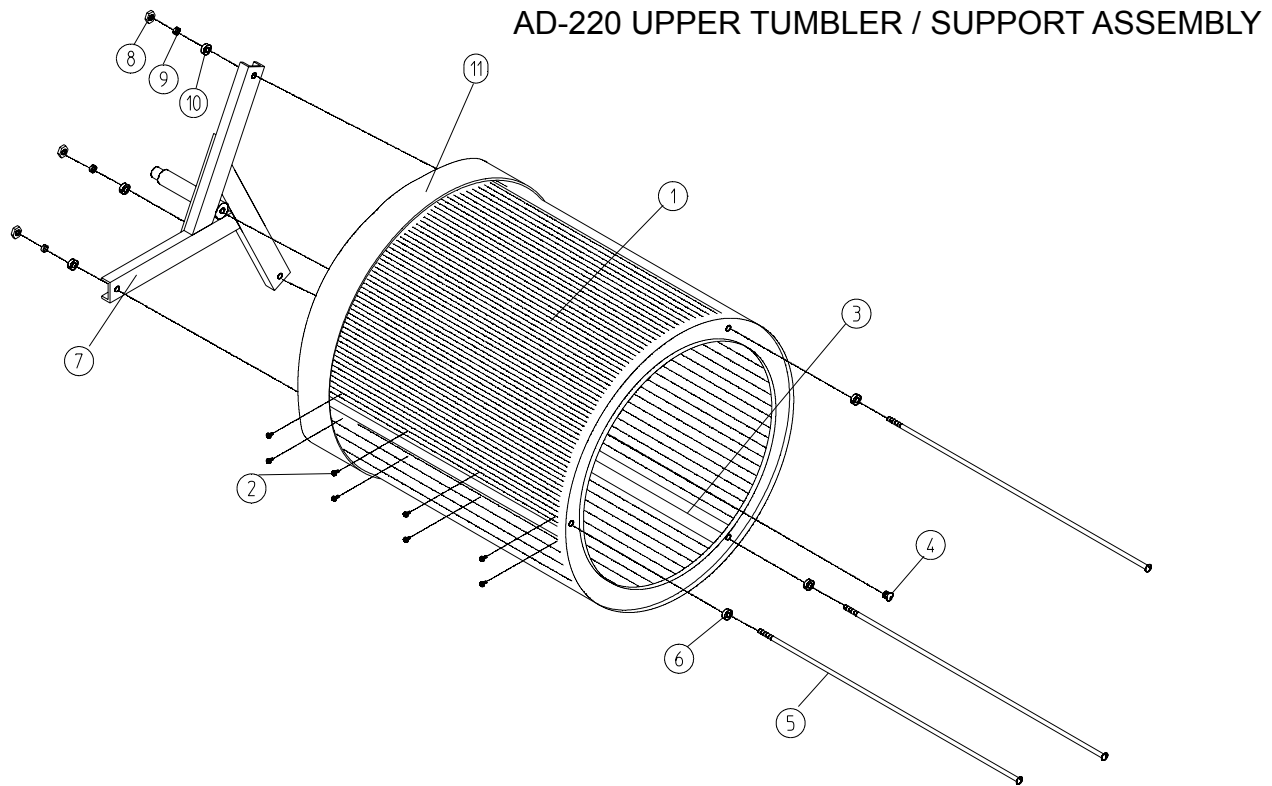


NOTE: DUPLICATE ALL COMPONENTS FOR
LOWER TUMBLER/SUPPORT ASSEMBLY.

<u>Illus. No.</u>	<u>Part No.</u>	<u>Qty.</u>	<u>Description</u>
1	800821	1	AD-215 (Standard Rib) Tumbler and Support Assembly Complete with Felt Collar (includes illus. nos. 1 through 11)
	800877	1	AD-215 Stainless Steel (Standard Rib) Tumbler and Support Assembly Complete with Felt Collar (includes illus. nos. 1 through 11)
	800710	1	AD-215 (Standard Rib) Tumbler Only without Felt Collar (includes illus. nos. 1, 2, and 6)
	800848	1	AD-215 Stainless Steel (Standard Rib) Tumbler without Felt Collar (includes illus. nos. 1, 2, and 6)
2	301313	3	AD-215 (standard) Tumbler Rib Only
	301412	3	AD-215 Stainless Steel (standard) Tumbler Rib Only
3	150518	1	5/16-18 x 3/8" Socket Button Head Screw
4	100906	3	5/16-18 x 16-3/4" Tie Rod
5	153003	3	3/8" x 1-1/2" Fender Washer
6	154210	18	5/32" x 3/16" Pop Rivet
7	800617	1	AD-215 / 220 / 230 Tumbler Support Only
8	152004	3	5/16-18 Hex Nut
9	153002	3	5/16" Lock Washer
10	153001	3	5/16" Flat Washer
11	116003	1	Felt Collar Only
—	401010	1	#847 Adhesive for Felt Collar

AD-220 Tumbler / Support Assembly

Tapered Rib for Models Mfd. as of November 23, 1991



NOTE: Duplicate all components for lower tumbler / support assembly.

MAN0137

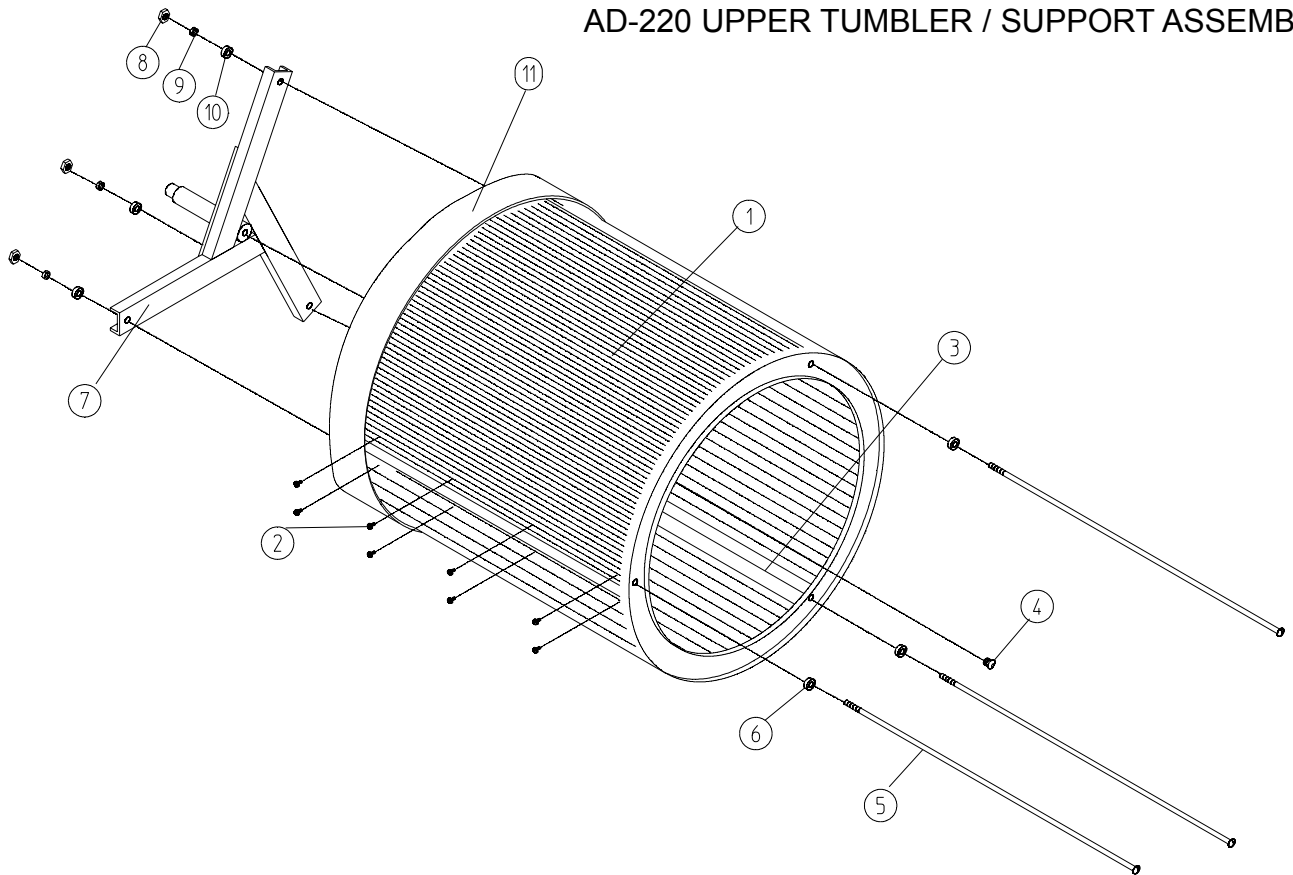
Illus. No.	Part No.	Qty.	Description
1	800834	1	AD-220 (Tapered Rib) Tumbler and Support Assembly Complete with Felt Collar (includes illus. nos. 1 through 11)
	_____*	1	AD-220 Stainless Steel (Tapered Rib) Tumbler and Support Assembly Complete with Felt Collar (includes illus. nos. 1 through 11)
	800716	1	AD-220 (Tapered Rib) Tumbler Only without Felt Collar (includes illus. nos. 1, 2, and 6)
	_____*	1	AD-220 Stainless Steel (Tapered Rib) Tumbler without Felt Collar (includes illus. nos. 1, 2, and 6)
2	150518	1	5/16-18 x 3/8" Socket Button Head Screw
3	100907	3	5/16-18 x 25" Tie Rod
4	153003	3	3/8" x 1-1/2" Fender Washer
5	154210	24	5/32" x 3/16" Pop Rivet
6	301318	2	AD-220 (short – tapered) Tumbler Rib Only
	301317	1	AD-220 (tall – tapered) Tumbler Rib Only
	_____*	2	AD-220 Stainless Steel (short – tapered) Tumbler Rib Only
	_____*	1	AD-220 Stainless Steel (tall – tapered) Tumbler Rib Only
7	800617	1	AD-215 / 220 / 230 Tumbler Support Only
8	152004	3	5/16-18 Hex Nut
9	153002	3	5/16" Lock Washer
10	153001	3	5/16" Flat Washer
11	116003	1	Felt Collar Only
—	401010	1	#847 Adhesive for Felt Collar

* Contact factory for part number.

AD-220 Tumbler / Support Assembly

Standard Rib for Models Mfd. prior to November 23, 1991

AD-220 UPPER TUMBLER / SUPPORT ASSEMBLY



NOTE: Duplicate all components for lower tumbler / support assembly.

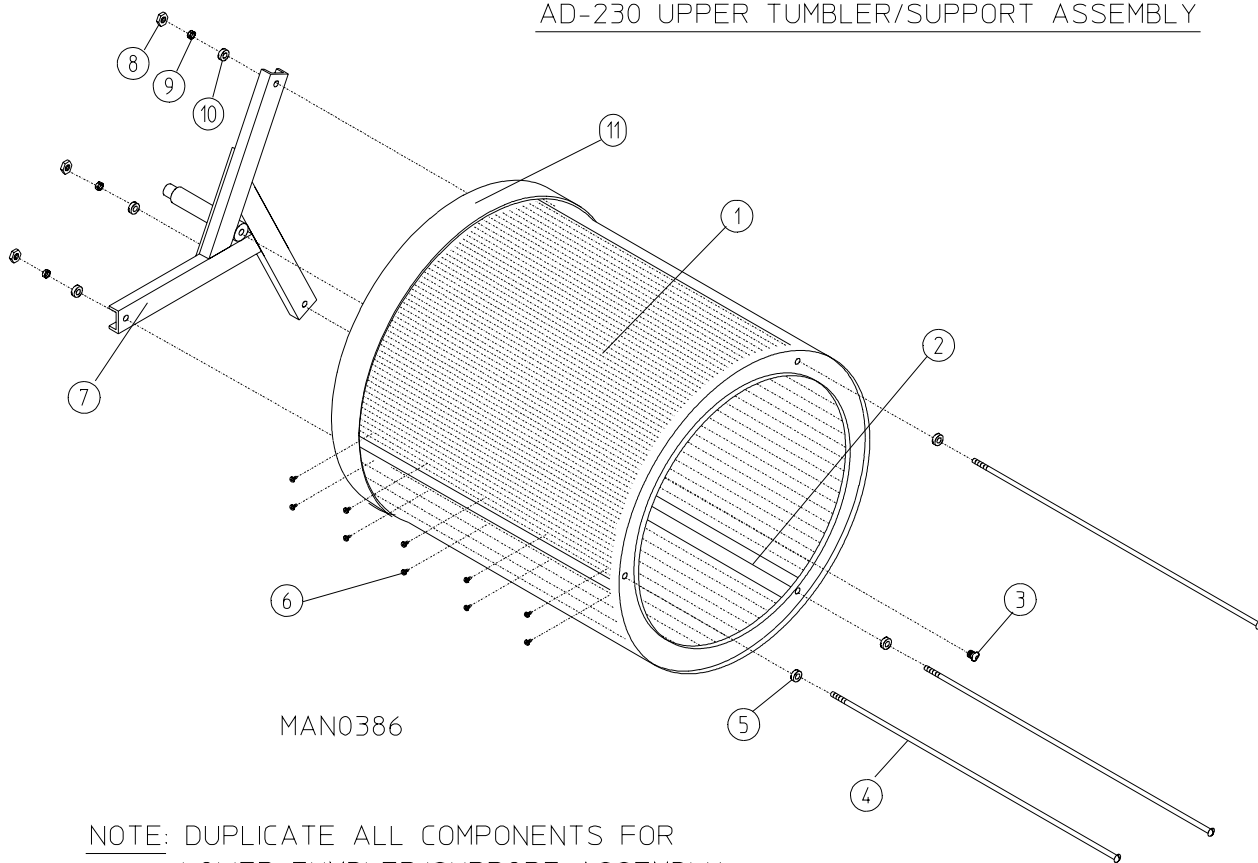
MAN0137

Illus. No.	Part No.	Qty.	Description
1	800823	1	AD-220 (Standard Rib) Tumbler and Support Assembly Complete with Felt Collar (includes illus. nos. 1 through 11)
	800879	1	AD-220 Stainless Steel (Standard Rib) Tumbler and Support Assembly Complete with Felt Collar (includes illus. nos. 1 through 11)
	800711	1	AD-220 (Standard Rib) Tumbler Only without Felt Collar (includes illus. nos. 1, 2, and 6)
	800859	1	AD-220 Stainless Steel (Standard Rib) Tumbler without Felt Collar (includes illus. nos. 1, 2, and 6)
2	150518	1	5/16-18 x 3/8" Socket Button Head Screw
3	100907	3	5/16-18 x 25" Tie Rod
4	153003	3	3/8" x 1-1/2" Fender Washer
5	154210	24	5/32" x 3/16" Pop Rivet
6	301314	3	AD-220 (standard) Basket Rib Only
	301413	3	AD-220 Stainless Steel (standard) Tumbler Rib Only
7	800617	1	AD-215 / 220 / 230 Tumbler Support Only
8	152004	3	5/16-18 Hex Nut
9	153002	3	5/16" Lock Washer
10	153001	3	5/16" Flat Washer
11	116003	1	Felt Collar Only
—	401010	1	#847 Adhesive for Felt Collar

AD-230 Tumbler / Support Assembly

Tapered Rib for Models Mfd. as of April 18, 1991

AD-230 UPPER TUMBLER/SUPPORT ASSEMBLY



MAN0386

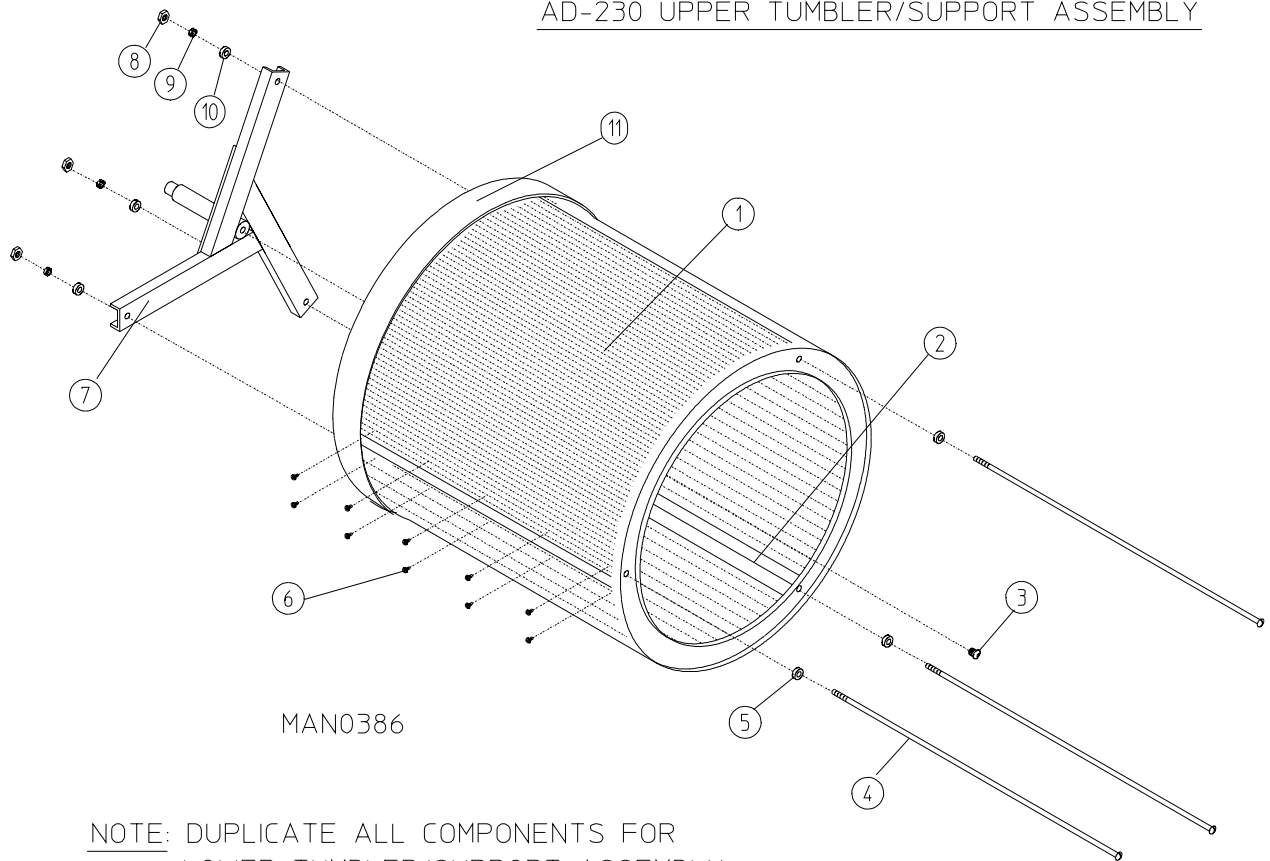
NOTE: DUPLICATE ALL COMPONENTS FOR LOWER TUMBLER/SUPPORT ASSEMBLY.

Illus. No.	Part No.	Qty.	Description
1	800831	1	AD-230 (Tapered Rib) Tumbler and Support Assembly Complete with Felt Collar (includes illus. nos. 1 through 11)
	800891	1	AD-230 Stainless Steel (Tapered Rib) Tumbler and Support Assembly Complete with Felt Collar (includes illus. nos. 1 through 11)
	800721	1	AD-230 (Tapered Rib) Tumbler Only without Felt Collar (includes illus. nos. 1, 2, and 6)
	800841	1	AD-230 Stainless Steel (Tapered Rib) Tumbler without Felt Collar (includes illus. nos. 1, 2, and 6)
2	301315	2	AD-230 (short – tapered) Tumbler Rib Only
	301316	1	AD-230 (tall – tapered) Tumbler Rib Only
	301414	2	AD-230 Stainless Steel (short – tapered) Tumbler Rib Only
	301415	1	AD-230 Stainless Steel (tall – tapered) Tumbler Rib Only
3	150518	1	5/16-18 x 3/8" Socket Button Head Screw
4	100902	3	5/16-18 x 31" Tie Rod
5	153003	3	3/8" x 1-1/2" Fender Washer
6	154210	30	5/32" x 3/16" Pop Rivet
7	800617	1	AD-215 / 220 / 230 Tumbler Support Only
8	152004	3	5/16-18 Hex Nut
9	153002	3	5/16" Lock Washer
10	153001	3	5/16" Flat Washer
11	116003	1	Felt Collar Only
—	401010	1	#847 Adhesive for Felt Collar

AD-230 Tumbler / Support Assembly

Standard Rib for Models Mfd. prior to April 18, 1991

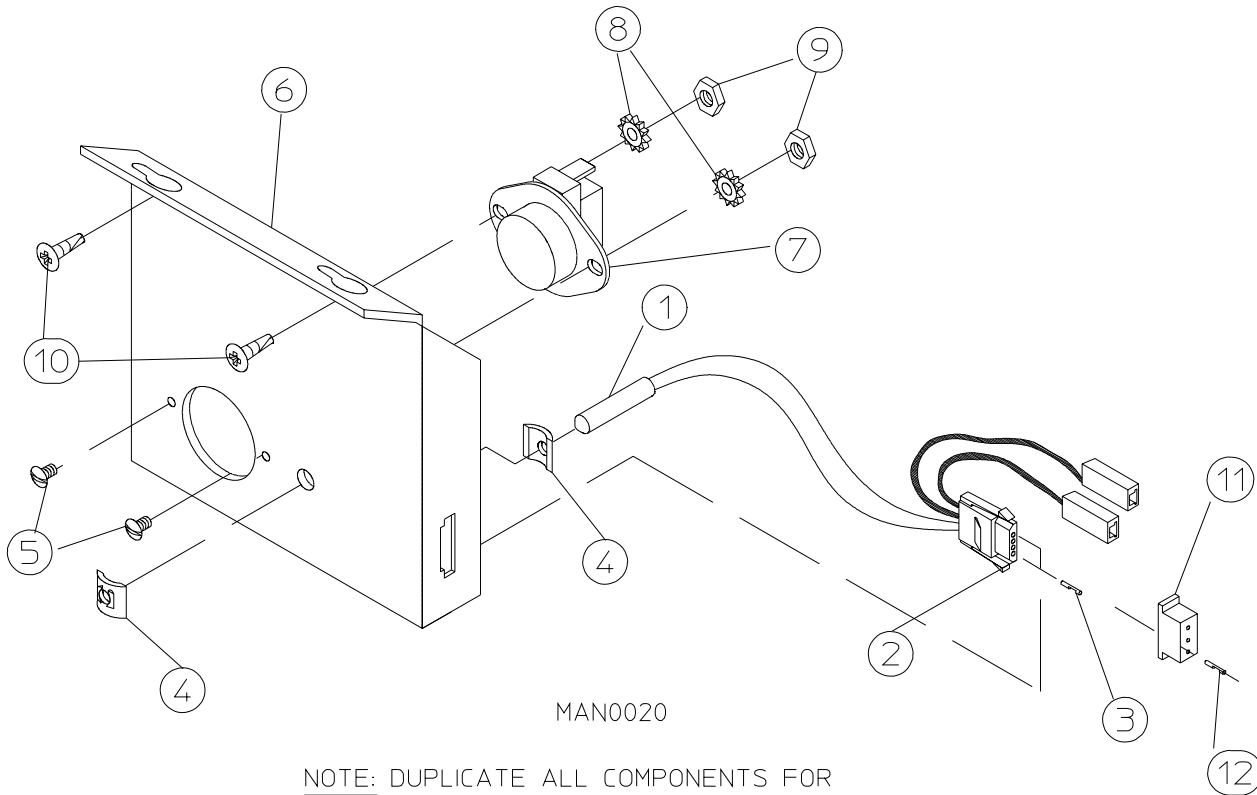
AD-230 UPPER TUMBLER/SUPPORT ASSEMBLY



NOTE: DUPLICATE ALL COMPONENTS FOR LOWER TUMBLER/SUPPORT ASSEMBLY.

Illus. No.	Part No.	Qty.	Description
1	800822	1	AD-230 (Standard Rib) Tumbler and Support Assembly Complete with Felt Collar (includes illus. nos. 1 through 11)
	800878	1	AD-230 Stainless Steel (Standard Rib) Tumbler and Support Assembly Complete with Felt Collar (includes illus. nos. 1 through 11)
	800712	1	AD-230 (Standard Rib) Tumbler Only without Felt Collar (includes illus. nos. 1, 2, and 6)
	800851	1	AD-230 Stainless Steel (Standard Rib) Tumbler without Felt Collar (includes illus. nos. 1, 2, and 6)
2	301309	3	AD-230 (standard) Tumbler Rib Only
	301409	3	AD-230 Stainless Steel (standard) Tumbler Rib Only
3	150518	1	5/16-18 x 3/8" Socket Button Head Screw
4	100902	3	5/16-18 x 31" Tie Rod
5	153003	3	3/8" x 1-1/2" Fender Washer
6	154210	30	5/32" x 3/16" Pop Rivet
7	800617	1	AD-215 / 220 / 230 Tumbler Support Only
8	152004	3	5/16-18 Hex Nut
9	153002	3	5/16" Lock Washer
10	153001	3	5/16" Flat Washer
11	116003	1	Felt Collar Only
—	401010	1	#847 Adhesive for Felt Collar

UPPER SENSOR BRACKET ASSEMBLY

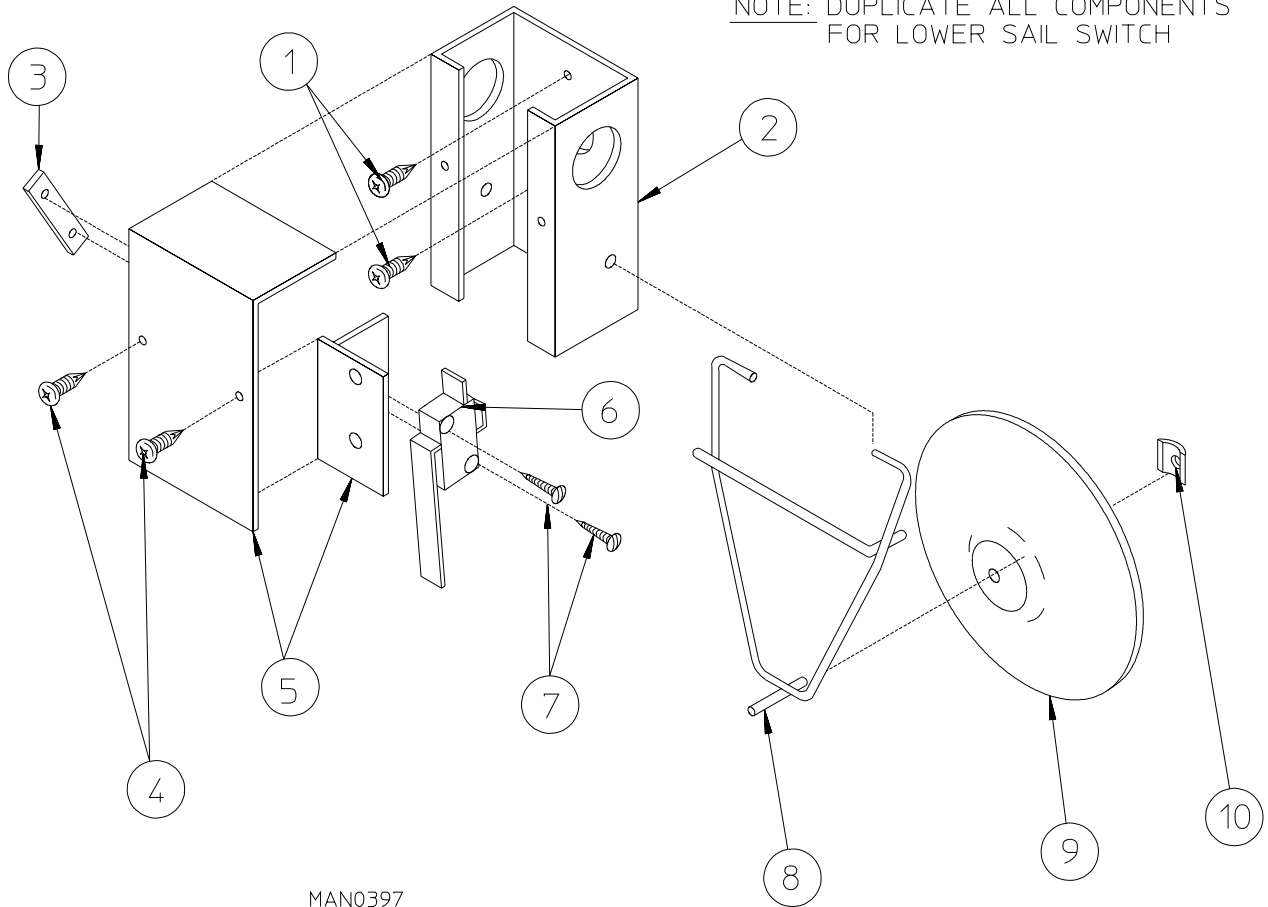


NOTE: DUPLICATE ALL COMPONENTS FOR LOWER SENSOR BRACKET ASSEMBLY.

Illus. No.	Part No.	Qty.	Description
1	880251	1	1/4" Temperature Sensor Probe Assembly (includes illus. nos. 1 through 4)
2	122605	1	4-Pin Socket Connector Only
3	122701	4	Socket Terminal Only
4	154007	2	1/4" Tinnerman Push-On Fastener
5	150000	2	#6-32 x 1/4" Round Head Machine Screw
6	801428	1	AD-215 / 220 / 230 Temperature Sensor Bracket Assembly Complete (includes illus. nos. 1 through 9)
	305107	1	Temperature Sensor Bracket Only
7	130103	1	225° Large Automatic Reset Thermostat
8	153010	2	#6 Star Washer
9	152000	2	#6-32 Hex Nut
10	150301	2	#8-18 x 7/16" Phillips Pan Head TEK Screw
11	122604	1	4-Pin Connector Only
12	122700	4	Pin Terminal Only
—	122801	1	Pin / Socket Extraction Tool

UPPER SAIL SWITCH

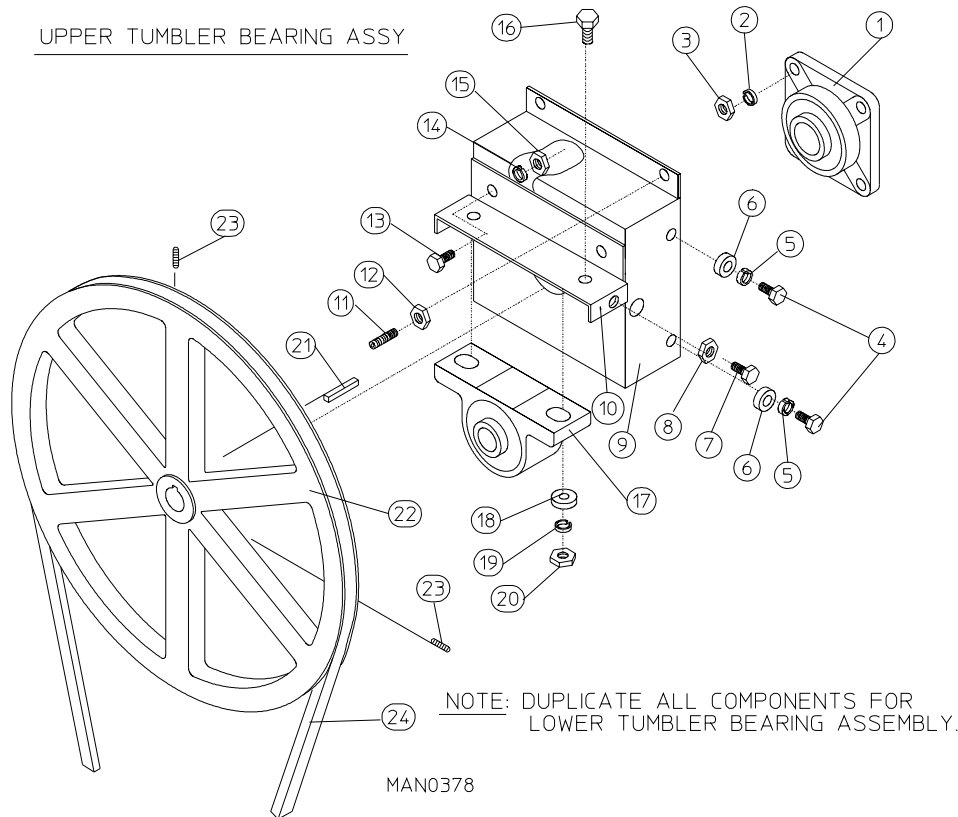
NOTE: DUPLICATE ALL COMPONENTS FOR LOWER SAIL SWITCH



MAN0397

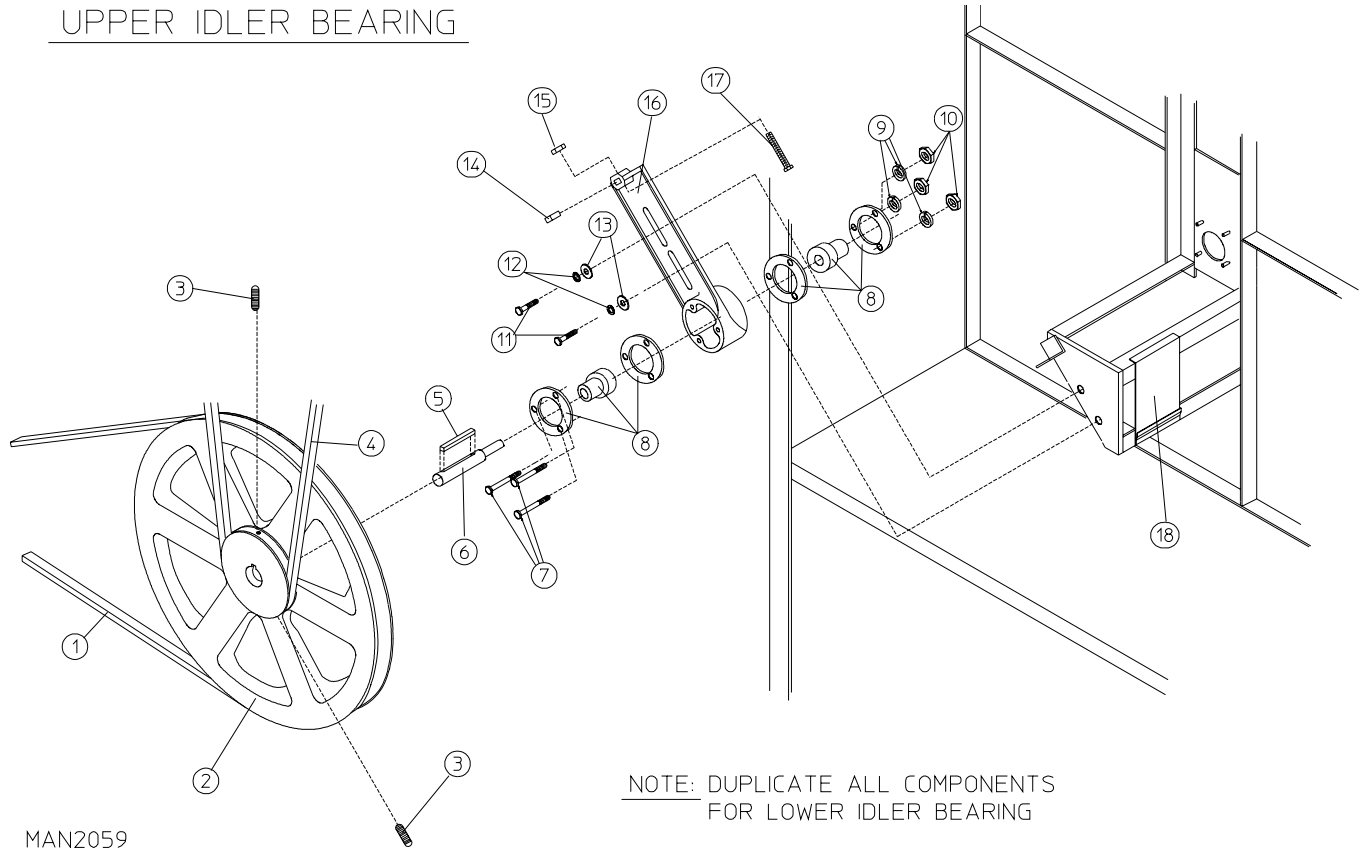
<u>Illus. No.</u>	<u>Part No.</u>	<u>Qty.</u>	<u>Description</u>
1	150301	2	#8-18 x 7/16" Phillips Pan Head TEK Screw
2	802800	1	Sail Switch Box with Cover and Bracket Only (includes illus. nos. 2, 4, and 5)
3	154004	1	Twin Speed Nut
4	150415	2	#10-16 x 1/2" Phillips Round Head Crimptite Screw
5	802799	1	Sail Switch Box Cover and Bracket Only
6	122200	1	Sail Switch
7	153303	2	#4 x 3/4" Pan Head "A" Machine Screw
8	105500	1	Sail Switch Actuator Rod
9	319206	1	Sail Switch Damper (embossed)
10	154002	1	1/8" Push-On Fastener

Tumbler Bearing Assembly



Illus. No.	Part No.	Qty.	Description
1	100203	1	1-3/8" Flange Bearing Only
2	153005	4	3/8" Lock Washer
3	152005	4	3/8-16 Hex Nut
4	150501	4	5/16-18 x 3/4" Hex Head Machine Bolt
5	153002	4	5/16" Lock Washer
6	153001	4	5/16" Flat Washer
7	150621	2	5/16-18 x 1-1/2" Hex Head Machine Bolt
8	152004	2	5/16-18 Hex Nut
9	801101	1	1-3/8" Bearing Box Assembly Complete (includes illus. nos. 4 through 20)
	801103	1	1-3/8" Bearing Box and Support Only (includes illus. nos. 9, 10, and 13 through 15)
	801105	1	1-3/8" Bearing Box Only
10	801104	1	Pillow Block Bearing Support Only
11	150610	2	5/16-18 x 1-1/2" Allen Setscrew
12	152004	2	5/16-18 Hex Nut
13	150508	2	3/8-16 x 3/4" Hex Head Machine Bolt
14	153005	2	3/8" Lock Washer
15	152005	2	3/8-16 Hex Nut
16	150600	2	3/8-16 x 1-1/2" Hex Head Machine Bolt
17	100202	1	1-3/8" Pillow Block Bearing Only
18	153004	2	3/8" Flat Washer
19	153005	2	3/8" Lock Washer
20	152005	2	3/8-16 Hex Nut
21	100713	1	1/4" x 1/4" x 7/8" Key
22	101100	1	18" Pulley
23	154301	2	5/16-18 x 5/16" Allen Setscrew
24	100100	1	5L660 V-Belt (to idler assembly)

UPPER IDLER BEARING



MAN2059

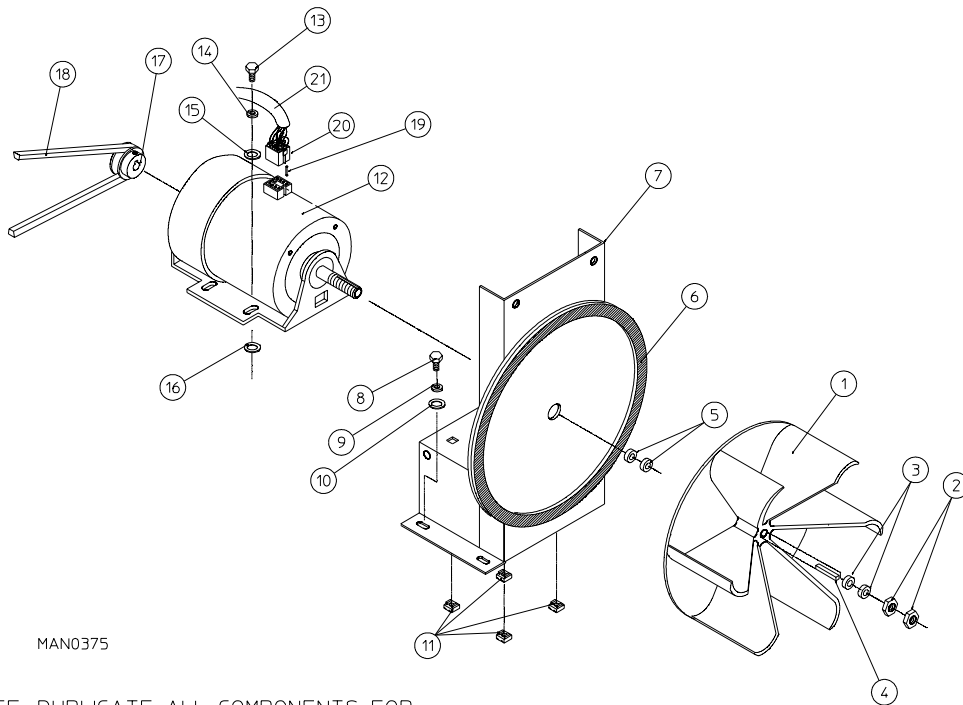
NOTE: DUPLICATE ALL COMPONENTS FOR LOWER IDLER BEARING

<u>Illus. No.</u>	<u>Part No.</u>	<u>Qty.</u>	<u>Description</u>
1	100113	1	4L400 V-Belt (to motor mount assembly) for 60 Hz Models Only
	100115	1	4L410 V-Belt (to motor mount assembly) for 50 Hz Models Only
2	101129	1	9" x 2-1/2", 3/16" Key, Pulley
3	154301	2	5/16-18 x 5/16" Allen Setscrew
4	100100	1	5L660 V-Belt (to tumbler bearing assembly)
5	100705	1	3/16" x 3/16" x 1-3/8" Key
6	301850	1	5/8" x 3/4" Idler Shaft
7	150529	3	1/4-20 x 2-1/4" Carriage Bolt
8	100214	2	5/8" Flange Bearing
9	153007	3	1/4" Lock Washer
10	152002	3	1/4-20 Hex Nut
11	150617	2	3/8-16 x 1" Hex Head Machine Bolt
12	153005	2	3/8" Lock Washer
13	153004	2	3/8" Flat Washer
14	152020	1	5/16-18 Standard Square Nut
15	152004	1	5/16-18 Hex Nut
16	801010	1	Idler Bearing Assembly Complete (includes illus. nos. 6 through 17)
	100406	1	Idler Bearing Mount Only
17	150509	1	5/16-18 x 3" Hex Head Machine Bolt
18	—	—	Direct Spark Ignition Module Mounting Bracket (refer to AD-215 / 220 / 230 Gas Valve / Burner Assemblies on page 36 and / or page 38)

AD-215 / 220 / 230 Totally Enclosed, Fan-Cooled Motor Mount Assembly

For Single-Phase (1Ø) Models with Plug-Type Motor and Tapered Ribs

UPPER MOTOR MOUNT ASSY



NOTE: DUPLICATE ALL COMPONENTS FOR LOWER MOTOR MOUNT ASSEMBLY.

Illus. No.	Part No.	Qty.	Description
1	100604	1	12-1/2" Impellor with 1/2" Bore
2	152006	2	1/2-20 Left-Hand Jam Nut
3	153050	*	1/2" S.A.E. Flat Washer
4	100702	1	1/8" x 1/8" x 1-1/2" Key
5	153050	*	1/2" S.A.E. Flat Washer
6	117600	4	Noise Suppressor Tape (sold by the foot)
7	850019	1	AD-215 / 220 / 230 Motor Mount Only
	803963**	1	1/2 hp, 100-230 / 60 Hz / 1Ø Totally Enclosed, Fan-Cooled Motor Mount Assembly Complete with Plug for Use on 60 Hz Models Only (includes illus. nos. 1 through 7 and 11 through 17)
8	150501	4	5/16-18 x 3/4" Hex Head Machine Bolt
9	153002	4	5/16" Lock Washer
10	153001	4	5/16" Flat Washer
11	154000	4	5/16-18 Tinnerman Nut
12	100065	1	1/2 hp, 100-230 / 50/60 Hz / 1Ø Totally Enclosed, Fan-Cooled Motor with Plug (56Z frame)
13	150501	4	5/16-18 x 3/4" Hex Head Machine Bolt
14	153002	4	5/16" Lock Washer
15	153001	4	5/16" Flat Washer
16	153001	*	5/16" Flat Washer
17	101131	1	1/2" x 2-1/4" Motor Pulley
18	100113	1	4L400 V-Belt (to idler assembly) for Use on 60 Hz Models Only
19	122701	8	Socket Terminal Only
20	137030	1	8-Pin Housing Only
	122801	1	Pin / Socket Extraction Tool
21	837005	1	AD-215 / 220 / 230 115V / 1Ø Motor Harness with Plug
	837006	1	AD-215 / 220 / 230 230V / 1Ø Motor Harness with Plug

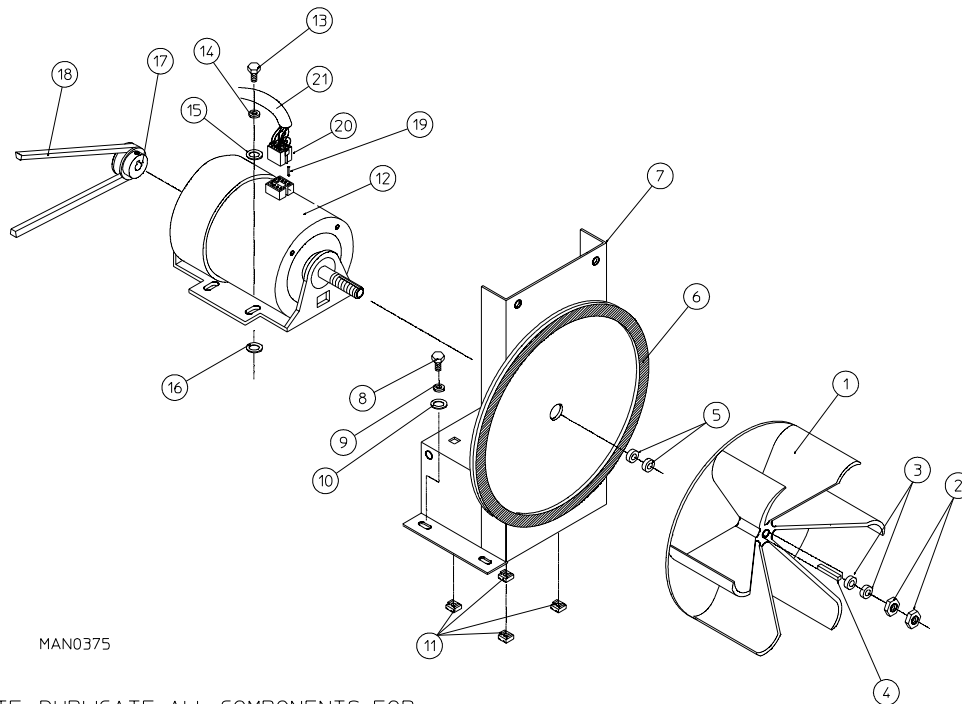
* As required.

** Specify voltage when ordering.

AD-215 / 220 / 230 Totally Enclosed, Fan-Cooled Motor Mount Assembly

For Single-Phase (1Ø) Models with Plug-Type Motor and Non-Tapered Ribs

UPPER MOTOR MOUNT ASSY



MAN0375

NOTE: DUPLICATE ALL COMPONENTS FOR LOWER MOTOR MOUNT ASSEMBLY.

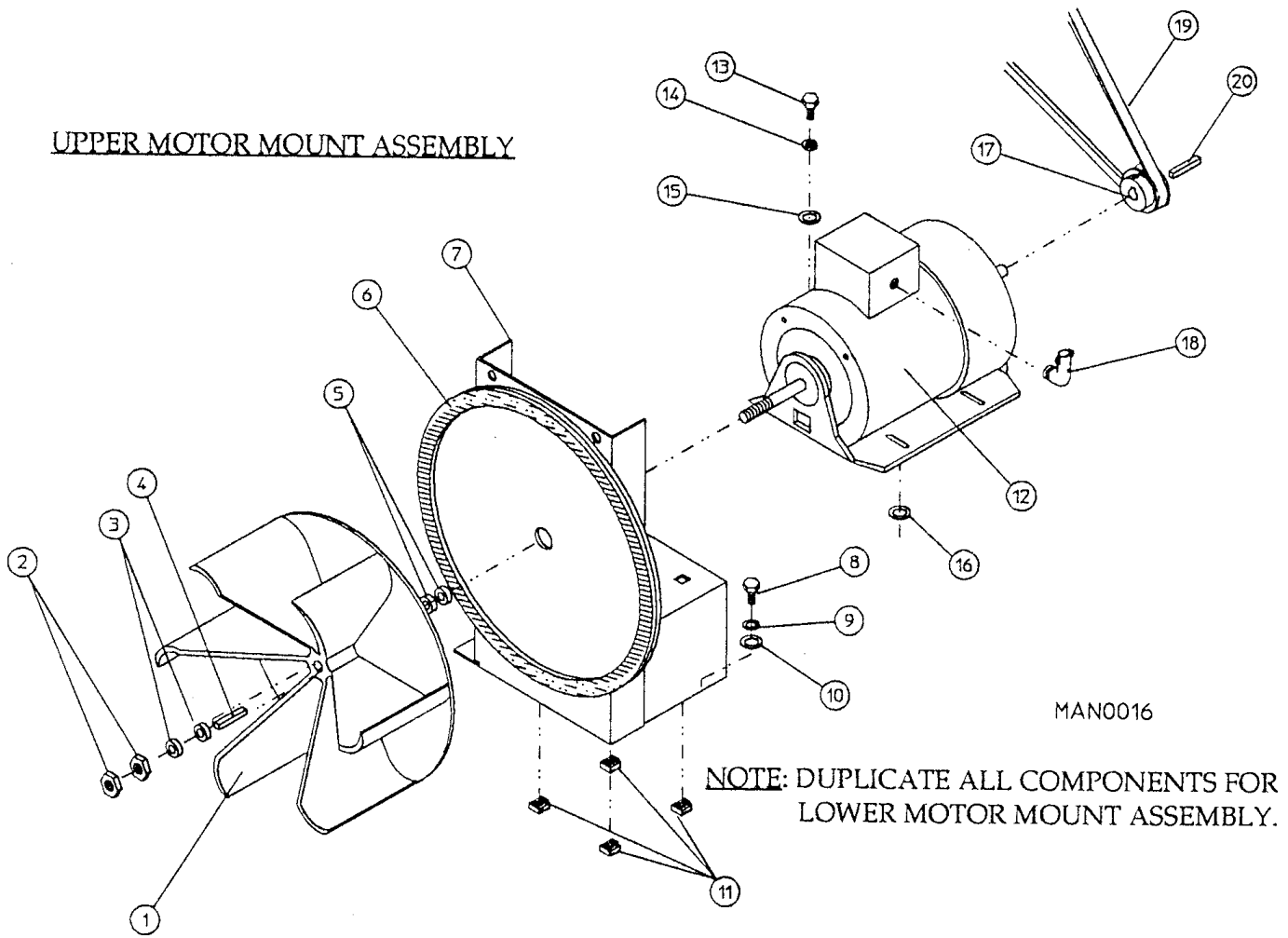
Illus. No.	Part No.	Qty.	Description
1	100604	1	12-1/2" Impellor with 1/2" Bore
2	152006	2	1/2-20 Left-Hand Jam Nut
3	153050	*	1/2" S.A.E. Flat Washer
4	100702	1	1/8" x 1/8" x 1-1/2" Key
5	153050	*	1/2" S.A.E. Flat Washer
6	117600	4	Noise Suppressor Tape (sold by the foot)
7	850019	1	AD-215 / 220 / 230 Motor Mount Only
	803960**	1	1/2 hp, 100-230 / 60 Hz / 1Ø Totally Enclosed, Fan-Cooled Motor Mount Assembly Complete with Plug for Use on 60 Hz Models Only (includes illus. nos. 1 through 7 and 11 through 17)
8	150501	4	5/16-18 x 3/4" Hex Head Machine Bolt
9	153002	4	5/16" Lock Washer
10	153001	4	5/16" Flat Washer
11	154000	4	5/16-18 Tinnerman Nut
12	100065	1	1/2 hp, 100-230 / 50/60 Hz / 1Ø Totally Enclosed, Fan-Cooled Motor with Plug (56Z frame)
13	150501	4	5/16-18 x 3/4" Hex Head Machine Bolt
14	153002	4	5/16" Lock Washer
15	153001	4	5/16" Flat Washer
16	153001	*	5/16" Flat Washer
17	101104	1	1/2" x 2" Motor Pulley
18	100113	1	4L400 V-Belt (to idler assembly) for Use on 60 Hz Models Only
19	122701	8	Socket Terminal Only
20	137030	1	8-Pin Housing Only
	122801	1	Pin / Socket Extraction Tool
21	837005	1	AD-215 / 220 / 230 115V / 1Ø Motor Harness with Plug
	837006	1	AD-215 / 220 / 230 230V / 1Ø Motor Harness with Plug

* As required.

** Specify voltage when ordering.

AD-215 / 220 / 230 Totally Enclosed, Fan-Cooled Motor Mount Assembly

For Single-Phase (1Ø) and Three-Phase (3Ø) Models
without Plug-Type Motor and with Tapered Ribs



AD-215 / 220 / 230 Totally Enclosed, Fan-Cooled Motor Mount Assembly

For Single-Phase (1Ø) and Three-Phase (3Ø) Models
without Plug-Type Motor and with Tapered Ribs

<u>Illus. No.</u>	<u>Part No.</u>	<u>Qty.</u>	<u>Description</u>
1	100604	1	12-1/2" Impellor with 1/2" Bore
2	152006	2	1/2-20 Left-Hand Jam Nut
3	153050	*	1/2" S.A.E. Flat Washer
4	100702	1	1/8" x 1/8" x 1-1/2" Key
5	153050	*	1/2" S.A.E. Flat Washer
6	117600	4	Noise Suppressor Tape (sold by the foot)
7	850019	1	AD-215 / 220 / 230 Motor Mount Only
	803887	1	1/2 hp, 240 / 50 Hz / 1Ø Totally Enclosed, Fan-Cooled Motor Mount Assembly Complete without Plug for Use on 50 Hz Models Only (includes illus. nos. 1 through 7 and 11 through 18)
	803902**	1	1/2 hp, 208 / 230 / 380 / 460 / 50 Hz / 3Ø Totally Enclosed, Fan-Cooled Motor Mount Assembly Complete without Plug for Use on 50 Hz Models Only (includes illus. nos. 1 through 7, 11 through 18, and 20)
8	150501	4	5/16-18 x 3/4" Hex Head Machine Bolt
9	153002	4	5/16" Lock Washer
10	153001	4	5/16" Flat Washer
11	154000	4	5/16-18 Tinnerman Nut
12	100004	1	1/2 hp, 100-230 / 50/60 Hz / 1Ø Totally Enclosed, Fan-Cooled Motor without Plug (56Z frame)
	100007	1	1/2 hp, 208 / 230 / 380 / 460 / 50 Hz / 3Ø Totally Enclosed, Fan-Cooled Motor without Plug (56Z frame)
	100035	1	1/2 hp, 240 / 50 Hz / 1Ø Totally Enclosed, Fan-Cooled Motor without Plug (56Z frame)
13	150501	4	5/16-18 x 3/4" Hex Head Machine Bolt
14	153002	4	5/16" Lock Washer
15	153001	4	5/16" Flat Washer
16	153001	*	5/16" Flat Washer
17	101130	1	5/8" x 2-1/2" Motor Pulley for Use on 50 Hz Models Only
18	120200	1	3/8" x 90° Connector
19	100115	1	4L410 V-Belt (to idler assembly) for Use on 50 Hz Models Only
20	100701	1	3/16" x 3/16" x 1" Key (used on 3Ø motor only)

* As required.

** Specify voltage when ordering.

AD-215 / 220 / 230 Totally Enclosed, Fan-Cooled Motor Mount Assembly

For Single-Phase (1Ø) and Three-Phase (3Ø) Models
without Plug-Type Motor and with Non-Tapered Ribs

<u>Illus. No.</u>	<u>Part No.</u>	<u>Qty.</u>	<u>Description</u>
1	100604	1	12-1/2" Impellor with 1/2" Bore
2	152006	2	1/2-20 Left-Hand Jam Nut
3	153050	*	1/2" S.A.E. Flat Washer
4	100702	1	1/8" x 1/8" x 1-1/2" Key
5	153050	*	1/2" S.A.E. Flat Washer
6	117600	4	Noise Suppressor Tape (sold by the foot)
7	850019	1	AD-215 / 220 / 230 Motor Mount Only
	803886**	1	1/2 hp, 100-230 / 60 Hz / 1Ø Totally Enclosed, Fan-Cooled Motor Mount Assembly Complete without Plug for Use on 60 Hz Models Only (includes illus. nos. 1 through 7 and 11 through 18)
	803901**	1	1/2 hp, 208 / 230 / 380 / 460 / 60 Hz / 3Ø Totally Enclosed, Fan-Cooled Motor Mount Assembly Complete without Plug for Use on 60 Hz Models Only (includes illus. nos. 1 through 7, 11 through 18, and 20)
	803887	1	1/2 hp, 240 / 50 Hz / 1Ø Totally Enclosed, Fan-Cooled Motor Mount Assembly Complete without Plug for Use on 50 Hz Models Only (includes illus. nos. 1 through 7 and 11 through 18)
	803902**	1	1/2 hp, 208 / 230 / 380 / 460 / 50 Hz / 3Ø Totally Enclosed, Fan-Cooled Motor Mount Assembly Complete without Plug for Use on 50 Hz Models Only (includes illus. nos. 1 through 7, 11 through 18, and 20)
8	150501	4	5/16-18 x 3/4" Hex Head Machine Bolt
9	153002	4	5/16" Lock Washer
10	153001	4	5/16" Flat Washer
11	154000	4	5/16-18 Tinnerman Nut
12	100004	1	1/2 hp, 100-230 / 50/60 Hz / 1Ø Totally Enclosed, Fan-Cooled Motor without Plug (56Z frame)
	100007	1	1/2 hp, 208 / 230 / 380 / 460 / 50 Hz / 3Ø Totally Enclosed, Fan-Cooled Motor without Plug (56Z frame)
	100035	1	1/2 hp, 240 / 50 Hz / 1Ø Totally Enclosed, Fan-Cooled Motor without Plug (56Z frame)
13	150501	4	5/16-18 x 3/4" Hex Head Machine Bolt
14	153002	4	5/16" Lock Washer
15	153001	4	5/16" Flat Washer
16	153001	*	5/16" Flat Washer
17	101104	1	1/2" x 2" Motor Pulley for Use on 60 Hz (1Ø) Models Only
	101132	1	5/8" x 2" Motor Pulley for Use on 60 Hz (3Ø) Models Only
	101130	1	5/8" x 2-1/2" Motor Pulley for Use on 50 Hz Models Only
18	120200	1	3/8" x 90° Connector
19	101113	1	4L400 V-Belt (to idler assembly) for Use on 60 Hz Models Only
	100115	1	4L410 V-Belt (to idler assembly) for Use on 50 Hz Models Only
20	100701	1	3/16" x 3/16" x 1" Key (used on 3Ø Motor Only)

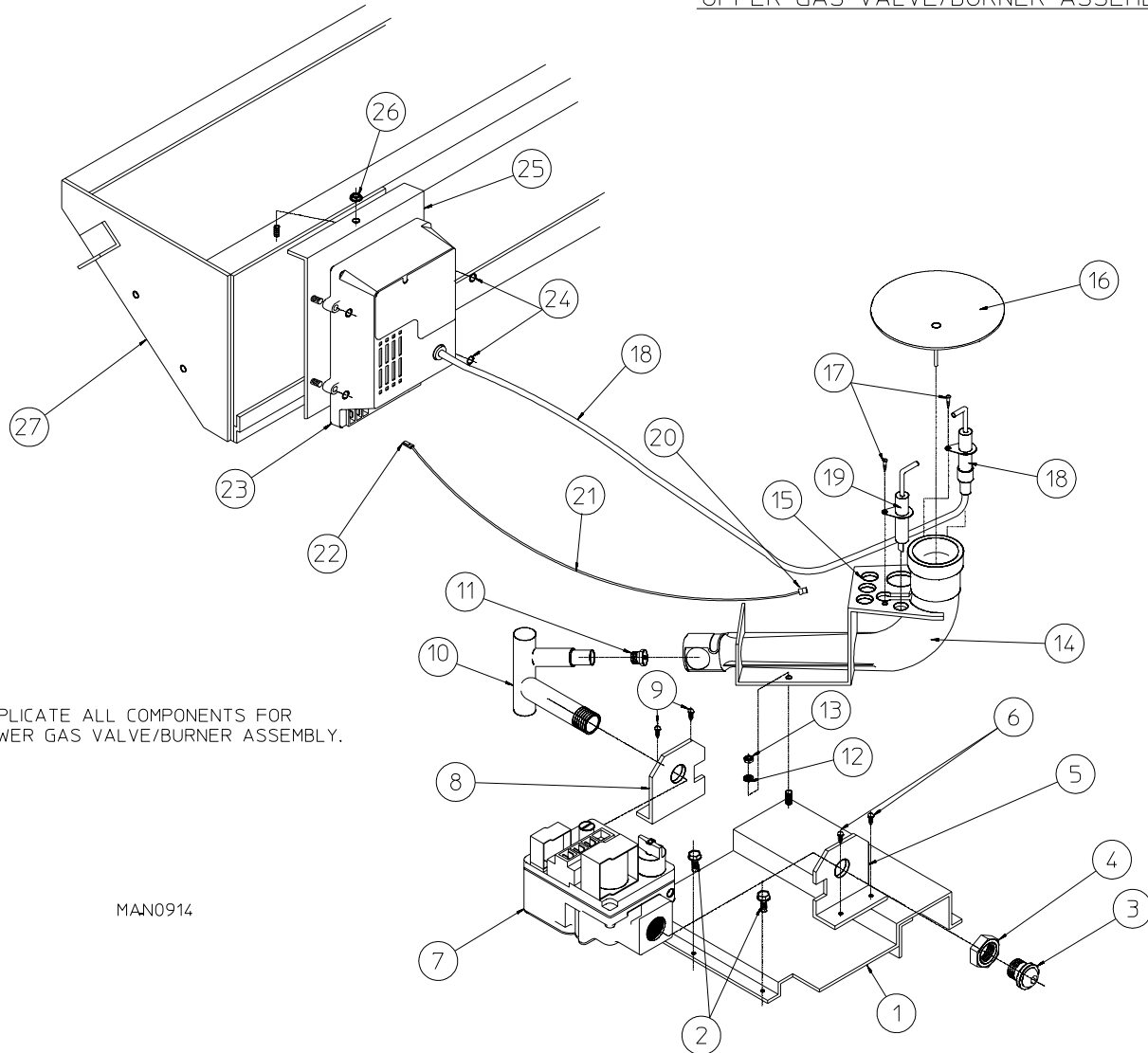
* As required.

** Specify voltage when ordering.

ADG-215 / 220 / 230 Direct Spark Ignition Gas Valve / Burner Assembly

For Models Mfd. as of November 21, 1991

UPPER GAS VALVE/BURNER ASSEMBLY



NOTE: DUPLICATE ALL COMPONENTS FOR LOWER GAS VALVE/BURNER ASSEMBLY.

MAN0914

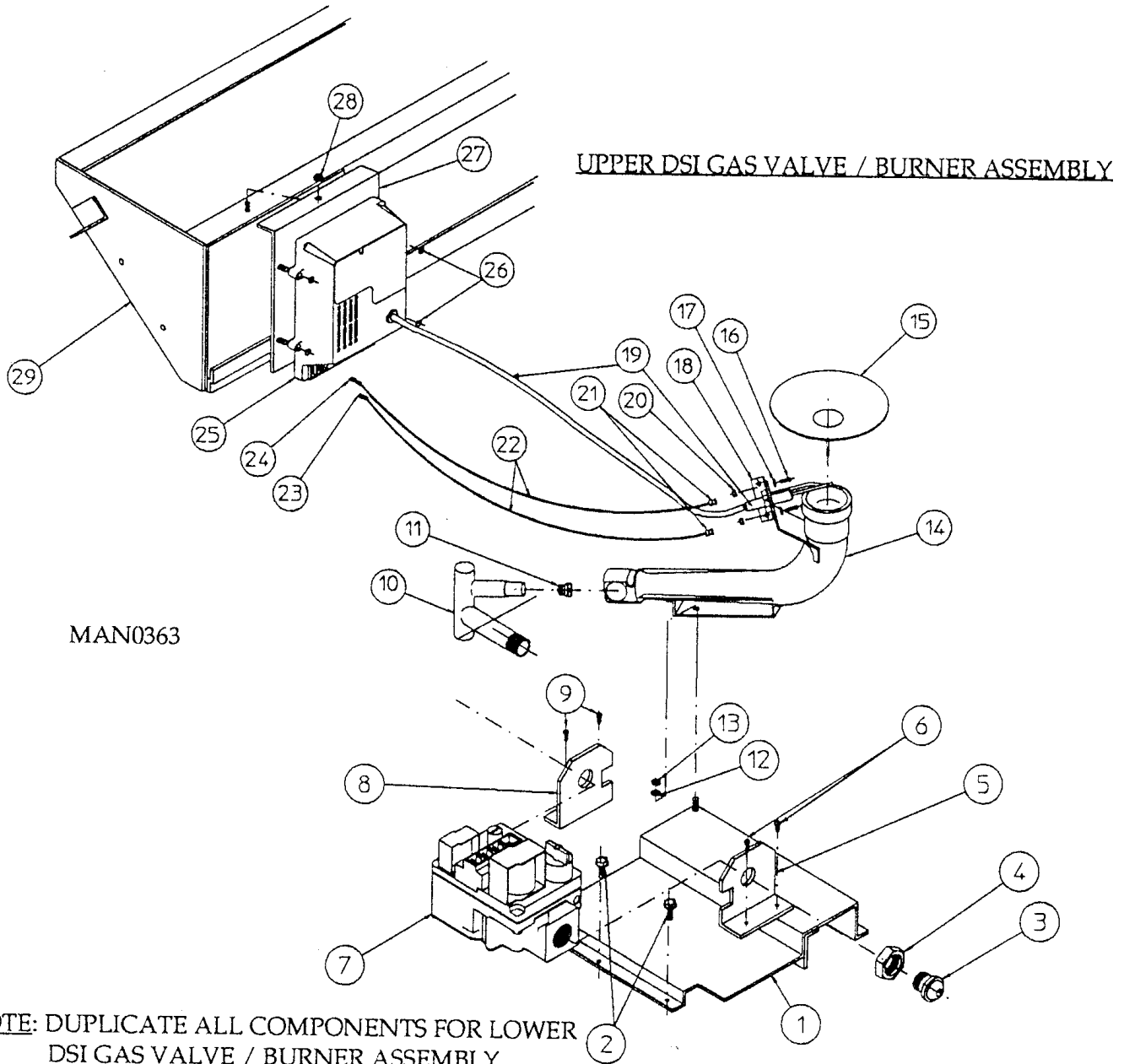
ADG-215 / 220 / 230 Direct Spark Ignition Gas Valve / Burner Assembly

For Models Mfd. as of November 21, 1991

<u>Illus. No.</u>	<u>Part No.</u>	<u>Qty.</u>	<u>Description</u>
1	850804	1	ADG-215 / 220 / 230 Direct Spark Ignition Gas Valve / Burner Tube Mounting Plate Only
	809313	1	ADG-215 / 220 / 230 Direct Spark Ignition (natural gas) Gas Valve / Burner Assembly Complete Less Orifice (includes illus. nos. 1, 3, 5 through 10, and 12 through 22)
	809314	1	ADG-215 / 220 / 230 Direct Spark Ignition (liquid propane) Gas Valve / Burner Assembly Complete Less Orifice (includes illus. nos. 1, 3, 5 through 10, and 12 through 22)
2	150300	2	#10 x 1/2" Hex Washer TEK Screw
3	141303	1	1/2" Union Tailpiece Only
4	141325	1	Tailpiece Collar Only
5	318650	1	ADG-215 / 220 / 230 Notched Pipe Bracket
6	150301	2	#8-18 x 7/16" Phillips Pan Head TEK Screw
7	128927	1	1/2" 24VAC Redundant (natural gas) Gas Valve
	140411	1	1/2" 24VAC Gas Valve Liquid Propane Conversion Kit
8	318650	1	ADG-215 / 220 / 230 Notched Pipe Bracket
9	150301	2	#8-18 x 7/16" Phillips Pan Head TEK Screw
10	141235	1	1/2" Single Port Manifold
11	————	1	Burner Orifice (refer to DSI Burner Orifice Listing on page 51)
12	153000	1	#8 Steel Burr
13	152001	1	#8-32 Hex Nut
14	141130	1	ADG-215 / 220 / 230 Direct Spark Ignition Up-Shot Burner Tube
15	318009	1	ADG-215 / 220 / 230 Burner Tube Bracket (PSE)
16	141109	1	ADG-215 / 220 / 230 Flame Spreader Only
17	150315	2	#6 x 3/8" Phillips Pan Head Machine Screw
18	128917	1	Spark Electrode with High Voltage Wire
	305412	1	ADG-215 / 220 / 230 Direct Spark Ignition Ignitor Gap Feeler Gauge ... Not Illustrated
19	128918	1	Flame-Sensor Probe
20	121006	1	#10 Insulated Terminal
21	132607	2	#18 Gauge (red silicone) Wire (sold by the foot)
22	121028	1	1/4" x .032 Insulated Terminal
23	884284	1	Direct Spark Ignition Module with High Voltage Wire
24	151000	4	#6-32 Pal Nut
25	801013	1	ADG-215 / 220 / 230 Direct Spark Ignition Module Mounting Bracket
26	152014	1	1/4-20 Free Spin Wash Nut
27	————	—	Idler Bearing Mount (refer to Idler Bearing Assembly on page 29)
—	————	—	Conversion Kit (refer to DSI L.P. Conversion Kit Listing on page 51)

ADG-215 / 220 / 230 Direct Spark Ignition Gas Valve / Burner Assembly

For Models Mfd. prior to November 21, 1991



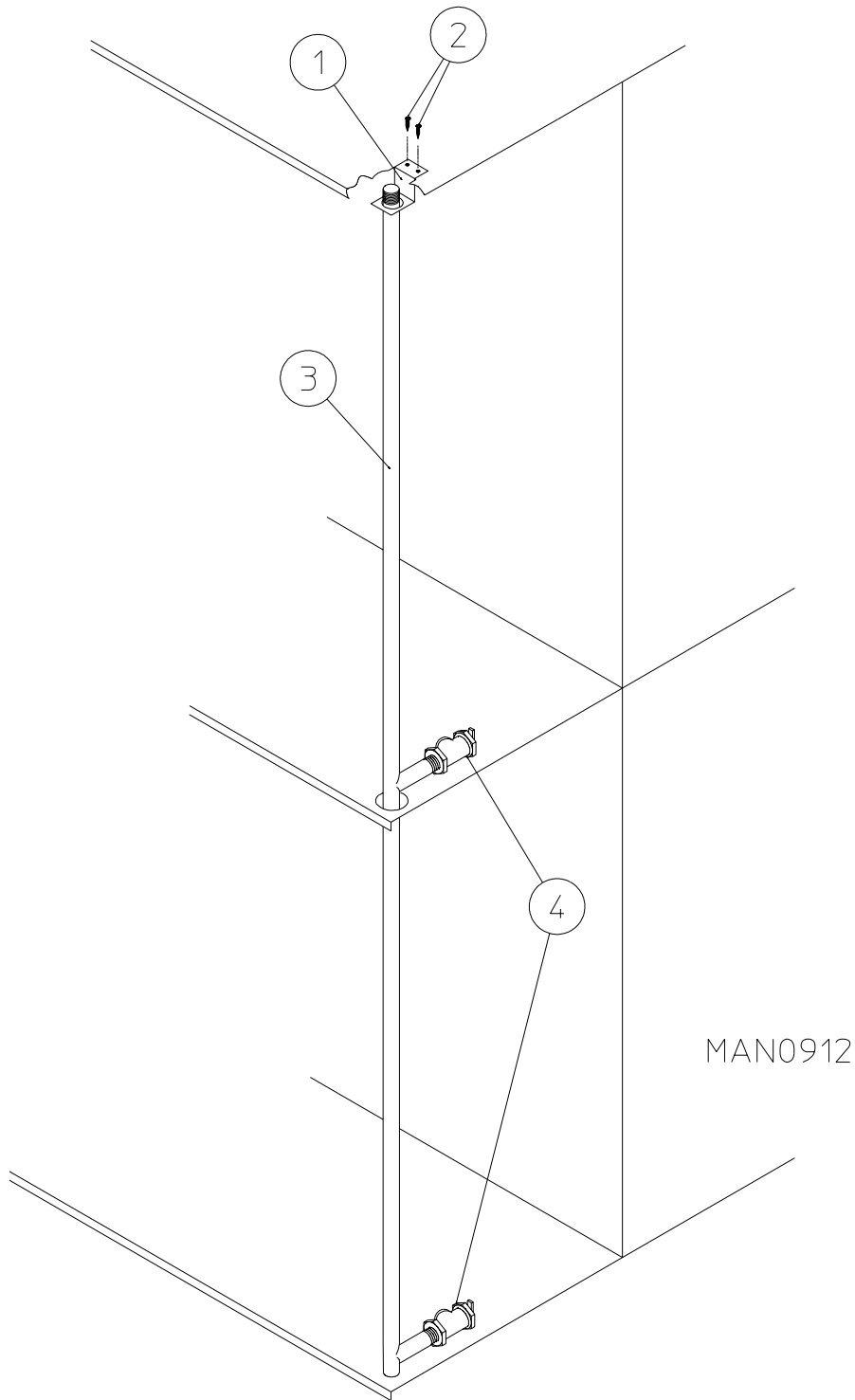
ADG-215 / 220 / 230 Direct Spark Ignition Gas Valve / Burner Assembly

For Models Mfd. prior to November 21, 1991

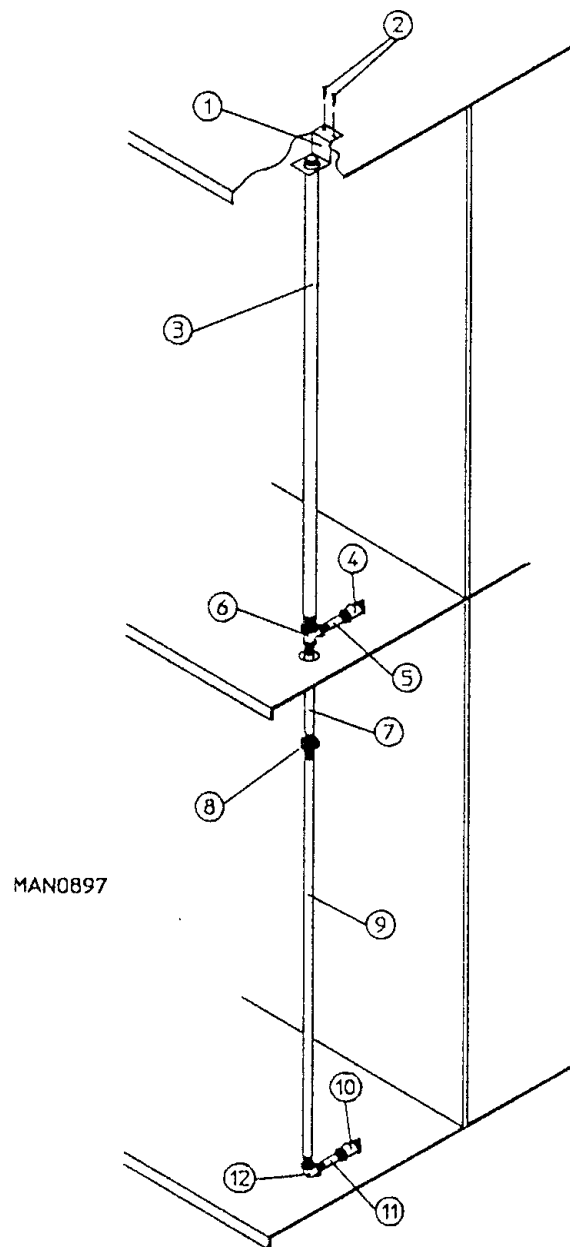
<u>Illus. No.</u>	<u>Part No.</u>	<u>Qty.</u>	<u>Description</u>
1	850804	1	ADG-215 / 220 / 230 Direct Spark Ignition Gas Valve / Burner Tube Mounting Plate Only
	880629	1	ADG-215 / 220 / 230 Direct Spark Ignition (natural gas) Gas Valve / Burner Assembly Complete Less Orifice (includes illus. nos. 1, 3, 5 through 10, and 12 through 24)
	880630	1	ADG-215 / 220 / 230 Direct Spark Ignition (liquid propane) Gas Valve / Burner Assembly Complete Less Orifice (includes illus. nos. 1, 3, 5 through 10, and 12 through 24)
2	150300	2	#10 x 1/2" Hex Washer TEK Screw
3	141303	1	1/2" Union Tailpiece Only
4	141325	1	Tailpiece Collar Only
5	318650	1	ADG-215 / 220 / 230 Notched Pipe Bracket
6	150301	2	#8-18 x 7/16" Phillips Pan Head TEK Screw
7	128927	1	1/2" 24VAC Redundant (natural gas) Gas Valve
	140411	1	1/2" 24VAC Gas Valve Liquid Propane Conversion Kit
8	318650	1	ADG-215 / 220 / 230 Notched Pipe Bracket
9	150301	2	#8-18 x 7/16" Phillips Pan Head TEK Screw
10	141235	1	1/2" Single Port Manifold
11	————	1	Burner Orifice (refer to DSI Burner Orifice Listing on page 51)
12	153000	1	#8 Steel Burr
13	152001	1	#8-32 Hex Nut
14	809305	1	ADG-215 / 220 / 230 Direct Spark Ignition Up-Shot Burner Tube Assembly
15	141109	1	ADG-215 / 220 / 230 Flame Spreader Only
16	150108	2	#8-32 x 1/2" Slotted Pan Head Machine Screw
17	153000	2	#8 Steel Burr
18	880134	1	Direct Spark Ignition Ignitor / Flame-Probe Assembly Kit (includes high voltage wire and connector)
	305412	1	ADG-215 / 220 / 230 Direct Spark Ignition Ignitor Gap Feeler Gauge ... Not Illustrated
19	880330	1	Direct Spark Ignition Ignitor High Voltage Wire / Connector Only
20	152001	2	#8-32 Hex Nut
21	121006	2	#10 Insulated Terminal
22	132607	4	#18 Gauge (red silicone) Wire (sold by the foot)
23	121028	1	1/4" x .032 Insulated Terminal
24	121000	1	1/4" Spade Terminal
25	883849	1	Direct Spark Ignition Module with High Voltage Wire
26	151000	4	#6-32 Pal Nut
27	801013	1	ADG-215 / 220 / 230 Direct Spark Ignition Module Mounting Bracket
28	152014	1	1/4-20 Free Spin Wash Nut
29	————	—	Idler Bearing Mount (refer to Idler Bearing Assembly on page 29)
—	————	—	Conversion Kit (refer to DSI L.P. Conversion Kit Listing on page 51)

ADG-215 / 220 / 230 Gas Piping Assembly

For Models Mfd. as of April 26, 1991



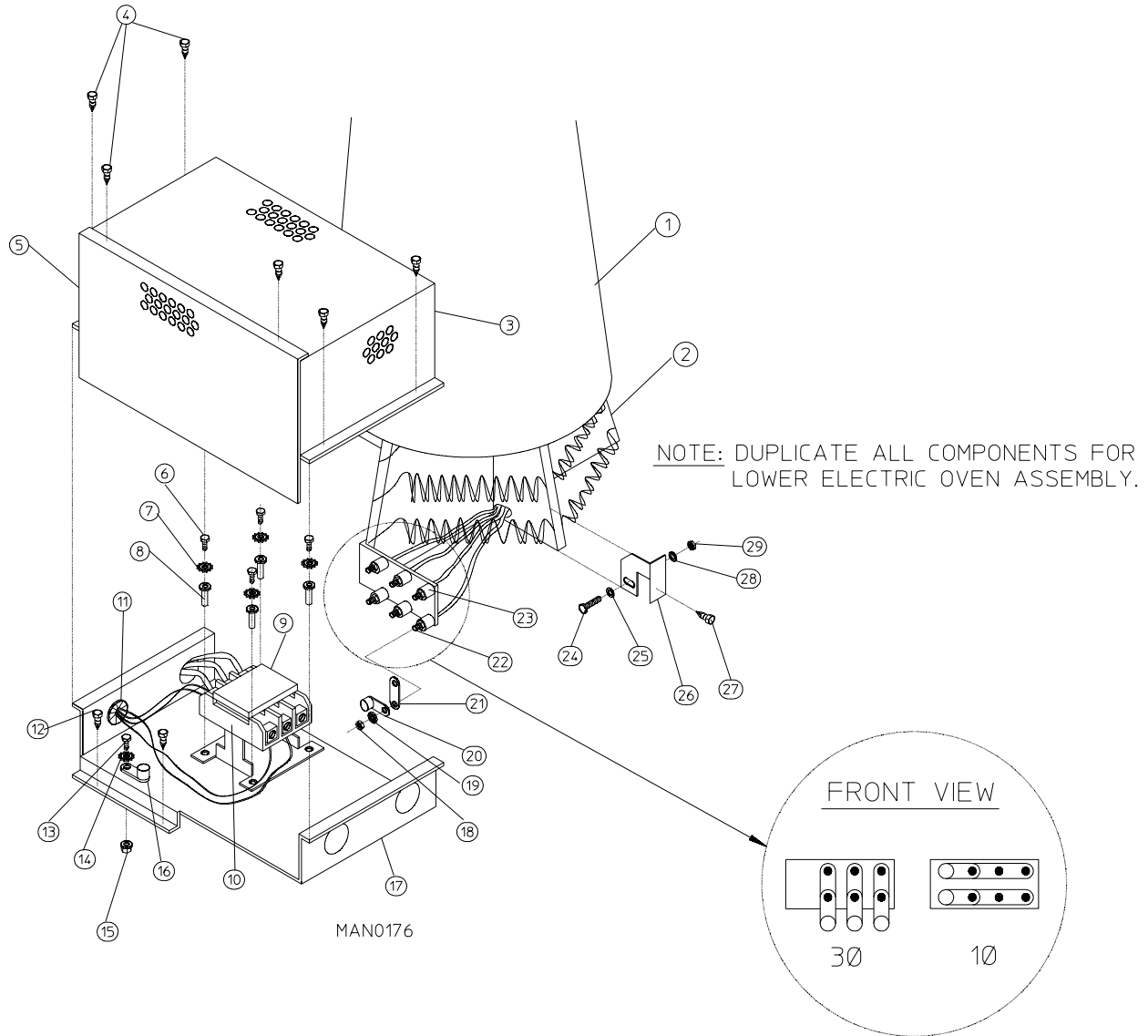
<u>Illus. No.</u>	<u>Part No.</u>	<u>Qty.</u>	<u>Description</u>
1	318702	1	Top Pipe Support Bracket
2	150300	2	#10 x 1/2" Hex Washer TEK Screw
3	141236	1	ADG-215 / 220 / 230 Inlet Manifold
4	141305	2	Union Shutoff Body



Illus. No.	Part No.	Qty.	Description
1	318702	1	Top Pipe Support Bracket
2	150300	2	#10 x 1/2" Hex Washer TEK Screw
3	142821	1	3/4" x 36" Pipe
4	141305	1	Union Shutoff Body Only
5	142707	1	1/2" x 1-1/2" Nipple
6	142505	1	3/4" x 1/2" x 1/2" Tee
7	142716	1	1/2" x 6" Nipple
8	142600	1	1/2" Union
9	142809	1	1/2" x 29-1/8" Pipe
10	141305	1	Union Shutoff Body Only
11	142707	1	1/2" x 1-1/2" Nipple
12	142500	1	1/2" x 90° Elbow

ADE-215 / 220 / 230 Electric Oven Assembly

UPPER ELECTRIC OVEN ASSEMBLY



ADE-215 / 220 / 230 Electric Oven Assembly

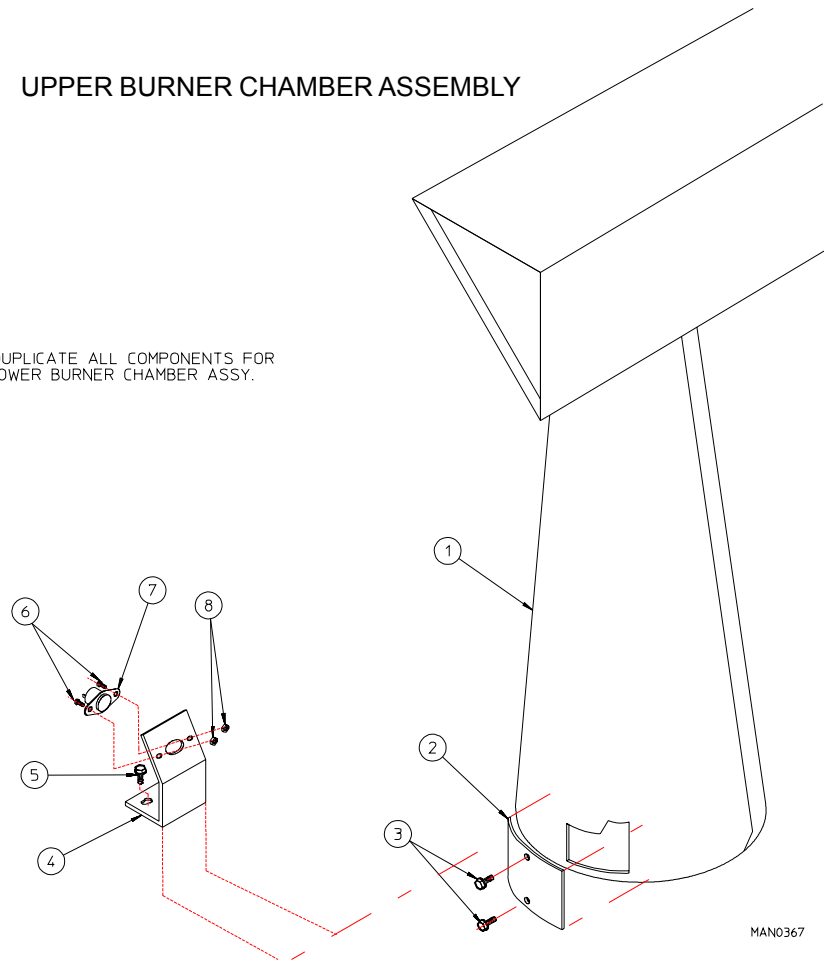
<u>Illus. No.</u>	<u>Part No.</u>	<u>Qty.</u>	<u>Description</u>
1	804025	1	AD-230 Gas Burner / Electric Oven Chamber Assembly For Non-Heat Reclaimer Models Only (08/01/90) (includes illus. nos. 1 through 3)
	804024	1	AD-215 / 220 Gas Burner / Electric Oven Chamber Assembly For Non-Heat Reclaimer Models Only (08/01/90) (includes illus. nos. 1 through 3)
	804022	1	AD-230 Gas Burner / Electric Oven Chamber Assembly For Heat Reclaimer Models Only (includes illus. nos. 1 through 3)
	804021	1	AD-215 / 220 Gas Burner / Electric Oven Chamber Assembly For Heat Reclaimer Models Only (includes illus. nos. 1 through 3)
	318006	1	Flame Viewing Plate ... Not Illustrated (refer to AD-215 / 220 / 230 Gas Burner / Electric Oven Chamber Assembly on page 44)
2	————	1	15 kW Electric Element / Heater (refer to ADE-215 / 220 / 230 Electric Oven Application / Component Chart on page 45)
3	320352	1	ADE-215 / 220 / 230 Electric Oven Relay / Contactor Cover Only
4	150300	6	#10 x 1/2" Hex Washer TEK Screw
5	320353	1	ADE-215 / 220 / 230 Electric Oven Relay / Contactor Front Mounting Plate Only
6	150100	4	#8-32 x 1/2" Round Head Machine Screw
7	153012	4	#8 Star Washer
8	154100	4	#8-32 Rivet Nut
9	————	1	Electric Oven / Relay Contactor (refer to ADE-215 / 220 / 230 Electric Oven Application / Component Chart on page 45)
10	————	1	Electric Oven / Relay Contactor Replacement Coil (refer to ADE-215 / 220 / 230 Electric Oven Application / Component Chart on page 45)
11	121400	1	Universal Bushing
12	150300	2	#10 x 1/2" Hex Washer TEK Screw
13	150111	1	1/4-20 x 1/2" Round Head Machine Screw
14	153009	1	#10 Star Washer
15	152014	1	1/4-20 Free Spin Wash Nut
16	121010	1	Terminal Lug
17	320350	1	ADE-215 / 220 / 230 Electric Oven Relay / Contactor Bottom Mounting Plate Only
18	152008	6	#10-32 Hex Nut
19	153009	6	#10 Star Washer
20	121010	*	Terminal Lug
21	121011	1	Bus Bar
22	120081	6	Internal Ceramic Insulator
23	120080	6	External Ceramic Insulator
24	150100	3	#8-32 x 1/2" Round Head Machine Screw
25	153012	3	#8 Star Washer
26	320351	3	ADE-215 / 220 / 230 Electric Heater / Element Retainer Clip
27	150300	3	#10 x 1/2" Hex Washer TEK Screw
28	153000	3	#8 Steel Burr
29	152001	3	#8-32 Hex Nut

* Three terminal lugs are used on a 3Ø oven; two terminal lugs are used on a 1Ø oven.

AD-215 / 220 / 230 Gas Burner / Electric Oven Chamber Assembly

UPPER BURNER CHAMBER ASSEMBLY

NOTE: DUPLICATE ALL COMPONENTS FOR LOWER BURNER CHAMBER ASSY.



Illus. No.	Part No.	Qty.	Description
1	804025	1	AD-230 Gas Burner / Electric Oven Chamber Assembly For Non-Heat Reclaimer Models Only (includes illus. nos. 1 through 3)
	804024	1	AD-215 / 220 Gas Burner / Electric Oven Chamber Assembly For Non-Heat Reclaimer Models Only (includes illus. nos. 1 through 3)
	804022	1	AD-230 Gas Burner / Electric Oven Chamber Assembly For Heat Reclaimer Models Only (includes illus. nos. 1 through 3)
	804021	1	AD-215 / 220 Gas Burner / Electric Oven Chamber Assembly For Heat Reclaimer Models Only (includes illus. nos. 1 through 3)
2	318006	1	AD-215 / 220 / 230 Flame Viewing Plate
3	150300	2	#10 x 1/2" Hex Washer TEK Screw
4	802502	2	AD-215 / 220 / 230 Hi-Limit Bracket Assembly (includes illus. nos. 4 through 8)
	319710	1	AD-215 / 220 / 230 Hi-Limit Bracket Only
5	150301	2	#8-18 x 7/16" Phillips Pan Head TEK Screw
6	150001	2	#6-32 x 1/2" Round Head Machine Screw
7	130103	1	225° Large Automatic Reset Thermostat
8	151000	2	#6-32 Pal Nut

NOTE: All ADG-215 / 220 / 230 manufactured as of August 1, 1990 are non-heat reclaimer.

ADE-215 / 220 / 230 Electric Oven Application / Component Chart

Voltage	Phase	Wire	Line Amps*	Electric Element / Heater Part No.**	Oven Relay Part No.	Relay Coil Part No.
208	1Ø	2	72	120016	131309	131811
230	1Ø	2	65	120017	131307	131809
208	3Ø	3	42	120016	131303	131809
208	3Ø	4	42	120016	131302	131808
230	3Ø	3	38	120017	131303	131808
380	3Ø	3	23	120018	131311	131809
380	3Ø	4	23	120018	131311	131809
416	3Ø	3	21	120019	131311	131809
416	3Ø	4	21	120019	131311	131809
480	3Ø	3	18	120020	131311	131809

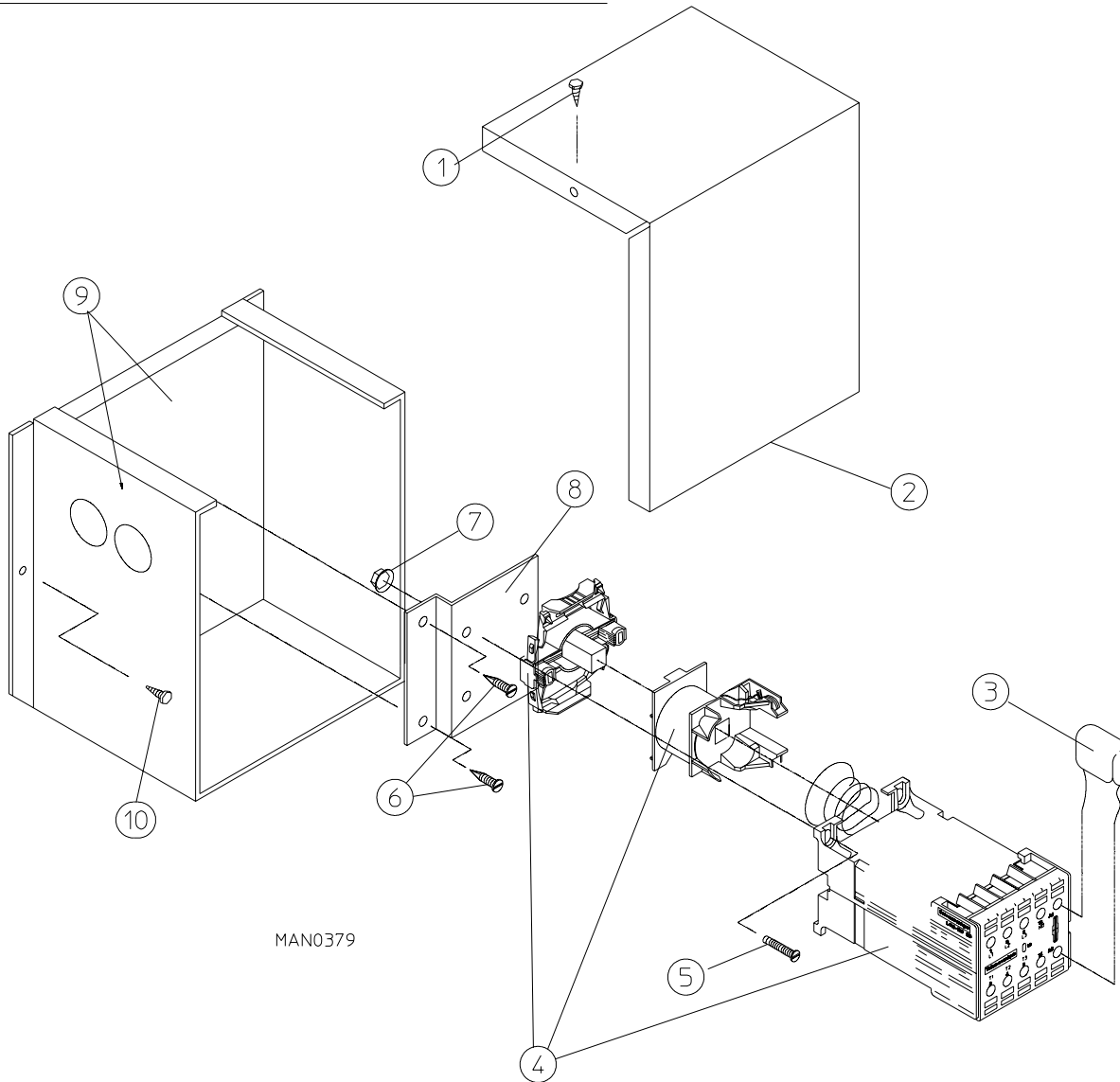
* Line amps are for oven only. Add motor amps to get total dryer amps.

** Electric element / heater does not include lugs or bus bars; these parts must be ordered separately.

AD-215 / 220 / 230 3-Phase (3Ø) Motor, Electrical Relay Panel Assembly

Telemecanique

UPPER 3 PHASE ELECTRICAL RELAY PANEL ASSEMBLY

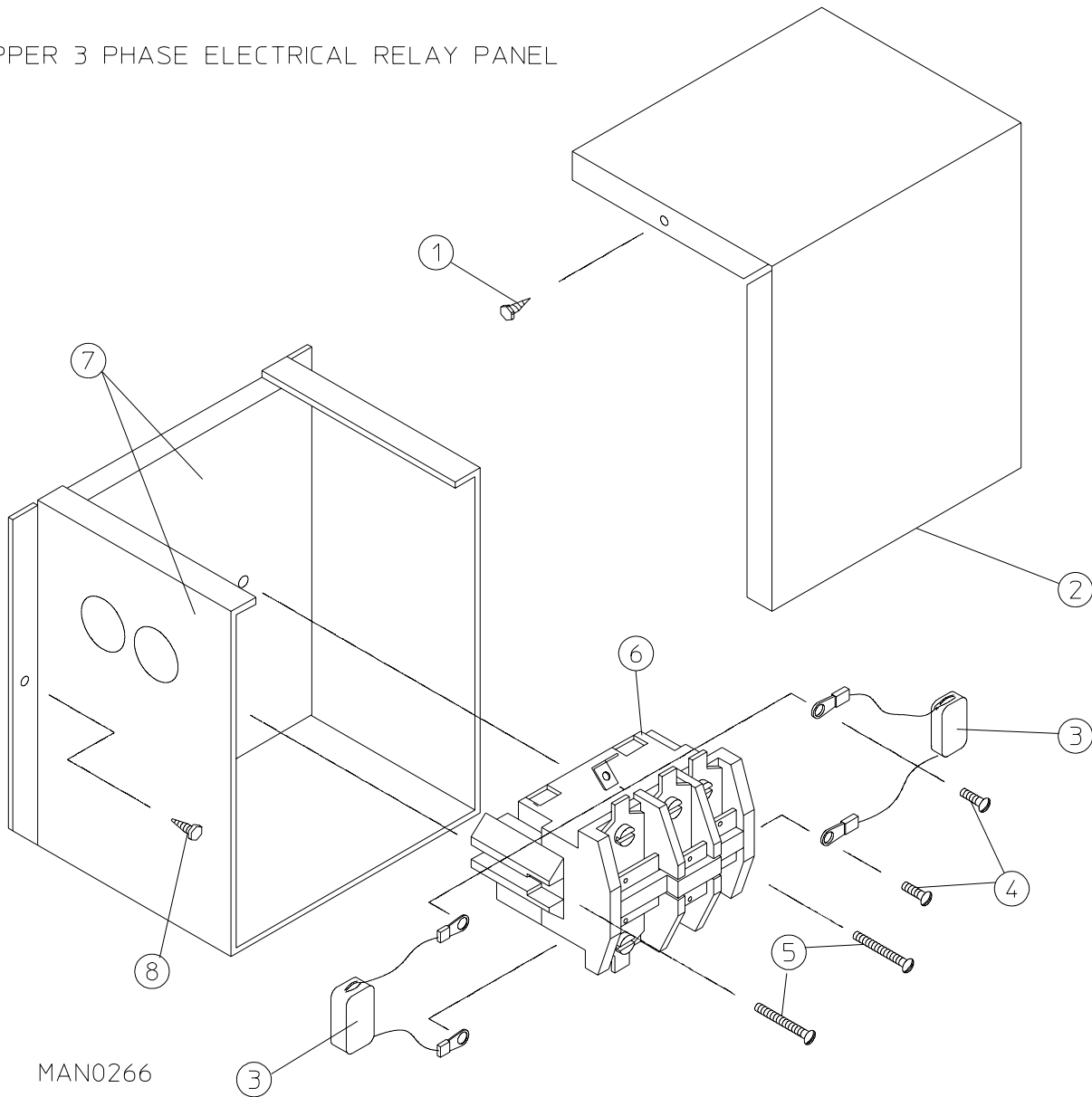


MAN0379

NOTE: DUPLICATE ALL COMPONENTS FOR LOWER 3 PHASE ELECTRICAL RELAY PANEL ASSEMBLY.

Illus. No.	Part No.	Qty.	Description
1	150300	2	#10 x 1/2" Hex Washer TEK Screw
2	321002	1	AD-215 / 220 / 230 Electrical Relay Panel Cover Only
3	137015	1	Arc Suppressor (capacitor) Only
4	132425	1	Impellor Contactor (208 / 230 / 240V, 50/60 Hz)
	132427	1	Impellor Contactor Replacement Coil (208 / 230 / 240V, 50/60 Hz)
5	150100	4	#8-32 x 1/2" Round Head Machine Screw
6	150300	2	#10 x 1/2" Hex Washer TEK Screw
7	151001	4	#8-32 Pal Nut
8	311920	1	3-Phase (3Ø) Contactor Mounting Bracket Only
9	850909	1	AD-215 / 220 / 230 Electrical Relay Panel Assembly (includes illus. nos. 1, 2, and 9)
10	150301	2	#8-18 x 7/16" Phillips Pan Head TEK Screw

UPPER 3 PHASE ELECTRICAL RELAY PANEL

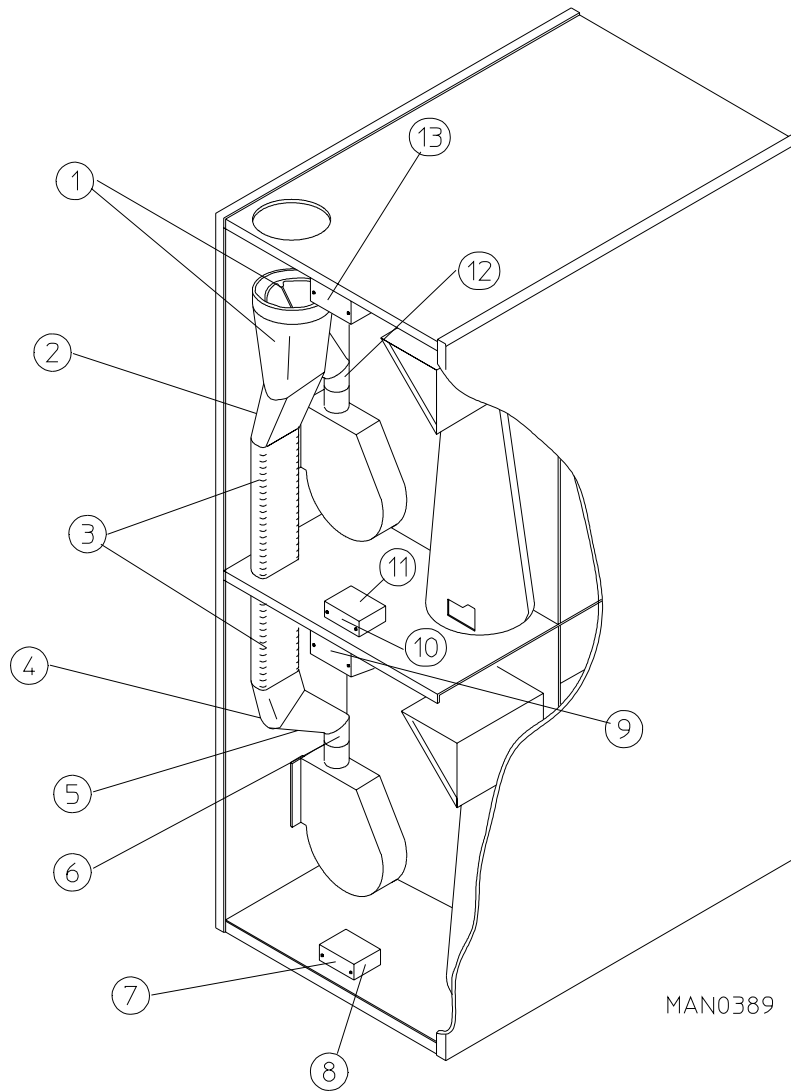


MAN0266

NOTE: DUPLICATE ALL COMPONENTS FOR LOWER 3 PHASE ELECTRICAL RELAY PANEL

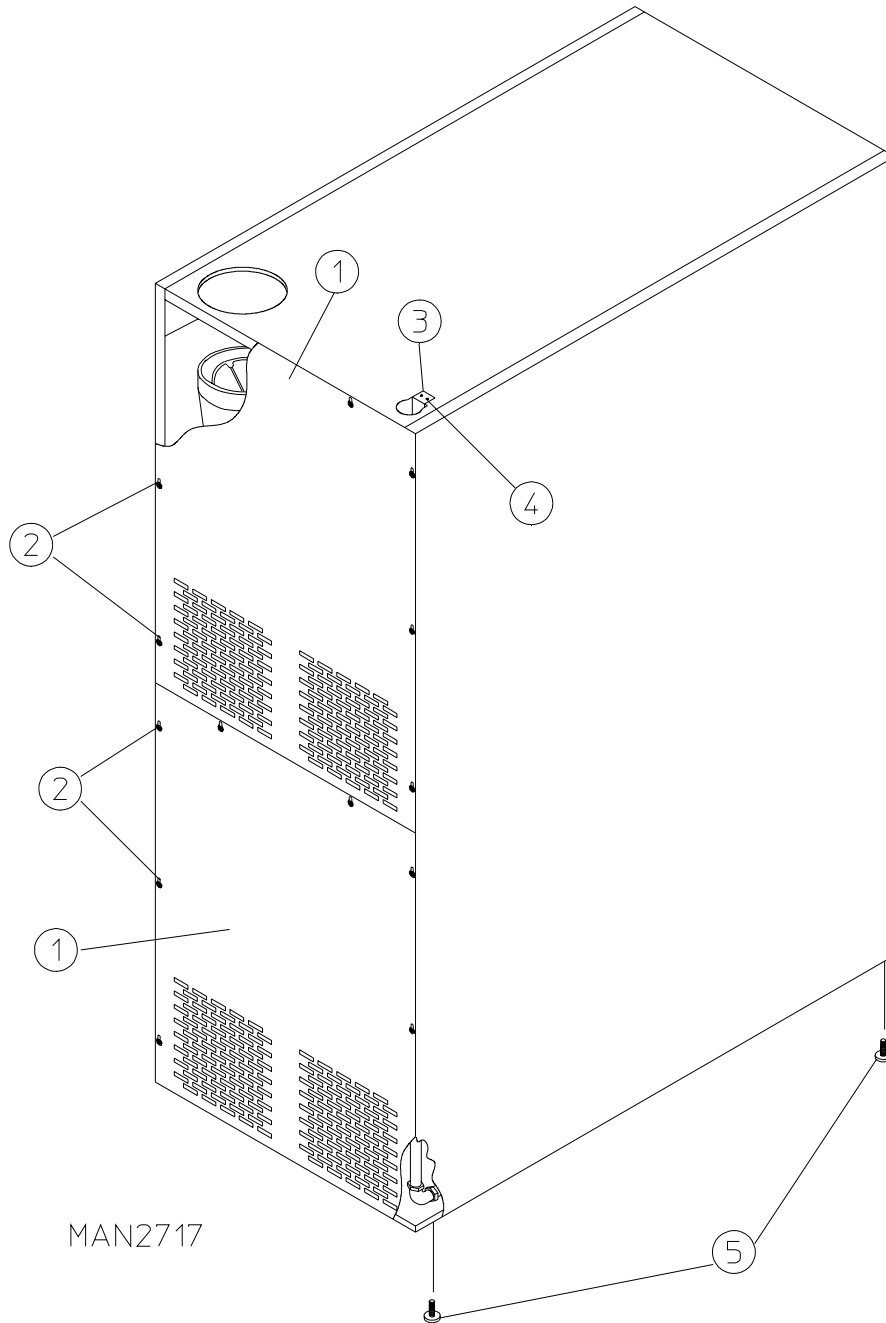
Illus. No.	Part No.	Qty.	Description
1	150300	2	#10 x 1/2" Hex Washer TEK Screw
2	321002	1	AD-215 / 220 / 230 Electrical Relay Panel Cover Only
3	880663	2	RC Suppressor (capacitor) Only with Ring Terminals
4	150201	2	#10-32 x 1/4" Phillips Pan Head Machine Screw
5	150106	2	#8-32 x 1" Round Head Machine Screw
6	132400	1	Impellor Contactor Only
7	850909	1	AD-215 / 220 / 230 Electrical Relay Panel Assembly (includes illus. nos. 1, 2, and 7)
8	150301	2	#8-18 x 7/16" Phillips Pan Head TEK Screw

AD-215 / 220 / 230 Exhaust Ducting Assembly



<u>Illus. No.</u>	<u>Part No.</u>	<u>Qty.</u>	<u>Description</u>
1	880505	1	Wye Branch Damper Assembly
2	143527	1	6" Oval - 7" Oval Straight Boot
3	143539	1	15-1/2" Long x 7" Oval Duct
4	143537	1	6" Oval x 45° Elbow
5	143538	1	6" Round x 7" Oval Straight Boot
6	143536	1	6" Round x 45° Elbow
7	121105	1	Junction Box Cover Only
	150301	2	#8-18 x 7/16" Phillips Pan Head TEK Screw
8	121104	1	Junction Box Only
9	315025	1	AD-215 / 220 / 230 Rear Wiring Box Cover Only
	150300	2	#10 x 1/2" Hex Washer TEK Screw
10	121104	1	Junction Box Only
	150301	2	#8-18 x 7/16" Phillips Pan Head TEK Screw
11	121105	1	Junction Box Cover Only
12	143536	1	6" Round x 45° Elbow
13	315025	1	AD-215 / 220 / 230 Rear Wiring Box Cover Only
	150300	2	#10 x 1/2" Hex Washer TEK Screw
—	117505	*	Aluminum Duct Tape (sold by the foot)

* As required.



Illus. No.	Part No.	Qty.	Description
1	311014	2	AD-215 / 220 / 230 Upper / Lower Back Guard Assembly
2	150301	16	#8-18 x 7/16" Phillips Pan Head TEK Screw
3	318702	1	Top Pipe Support Bracket
4	150300	2	#10 x 1/2" Hex Washer TEK Screw
5	103500	4	Adjustable Leveling Leg

Microprocessor Coin Acceptor Listing

NOTE: Coin acceptors listed include optical switch (ADC Part No. 137056).

Single Coin*

<u>ADC Part No.</u>	<u>Nation</u>	<u>Description</u>
125100	United States and Canada	25¢ Optic Coin Acceptor
125127	Canada	\$1 Canadian Optic Coin Acceptor
125101	United Kingdom	10 New Pence Optic Coin Acceptor
125114	United Kingdom	20 New Pence Optic Coin Acceptor
125115	United Kingdom	1 English Pound (1£) Optic Coin Acceptor
125102	Belgium	5 Belgian Franc Optic Coin Acceptor
125106	France	1 French Franc Optic Coin Acceptor
125120	France	2 French Franc Optic Coin Acceptor
125124	France	5 French Franc Optic Coin Acceptor
125109	Denmark	1 Danish Krona Optic Coin Acceptor
125125	Netherlands	25¢ Dutch Guilder Optic Coin Acceptor
125108	Australia	10¢ Australian Optic Coin Acceptor
125107	Australia	20¢ Australian Optic Coin Acceptor
125130	Australia	\$1 Australian Optic Coin Acceptor
125123	New Zealand	50¢ New Zealand Optic Coin Acceptor
125132	Singapore	50¢ Singapore Optic Coin Acceptor
125104	Japan	100 Yen Optic Coin Acceptor
125133	Hong Kong	\$1 Hong Kong Optic Coin Acceptor
125103	—	0.882 Token Optic Coin Acceptor
125121	—	0.800 Token Optic Coin Acceptor
125129	—	Muller Token Optic Coin Acceptor

Dual Coin*

<u>ADC Part No.</u>	<u>Nation</u>	<u>Description</u>
125116	United States and Canada	10¢ / 25¢ Dual Optic Coin Acceptor
125128	Canada	25¢ / \$1 Dual Optic Coin Acceptor
125112	United Kingdom	10 / 20 Pence Dual Optic Coin Acceptor
125110	United Kingdom	10 / 50 Pence Dual Optic Coin Acceptor
125111	United Kingdom	20 / 50 Pence Dual Optic Coin Acceptor
125113	United Kingdom	1£ / 20 Pence Dual Optic Coin Acceptor
125119	Belgium	5 / 20 Belgian Franc Dual Optic Coin Acceptor
125122	France	2 / 5 French Franc Dual Optic Coin Acceptor
125117	Denmark	1 / 5 Danish Krona Dual Optic Coin Acceptor
125131	Denmark	5 / 10 Danish Krona Dual Optic Coin Acceptor
125126	Netherlands	25 / 1 Dutch Guilder Dual Optic Coin Acceptor
125118	Singapore	20¢ / 50¢ Singapore Dual Optic Coin Acceptor
125105	Japan	50 / 100 Yen Dual Optic Coin Acceptor

* Consult factory for coin acceptors not listed.

ADG-215 / 220 / 230 Direct Spark Ignition Burner Assembly Specifications

NOTE: All ADG-215 / 220 / 230 manufactured as of August 1, 1990 are non-heat reclaimer.

DSI Burner Orifice Listing*						
Model Number	Heat Reclaimer	Qty	Natural Gas		L.P. Gas	
			D.M.S.	P / N	D.M.S.	P / N
ADG-215D	NO	2	#29	140820	#46	140806
ADG-220D	NO	2	#26	140823	#43	140809
ADG-230D	NO	2	#20	140828	#41	104811

* Consult factory for elevations over 2,000 feet.

DSI L.P. Conversion Kit Listing*	
Model Number	Kit P / N
ADG-215D	874055
ADG-220D	874056
ADG-230D	874057

* Consult factory for elevations over 2,000 feet.

Additional Parts Available

<u>Part No.</u>	<u>Description</u>
112027	"Water Washed Fabrics" Label
112040	"Lint Compartment" Label
112041	"Caution – Exhausted" Label
112090	"Phase 4 OPL Program Location Summary" Label
112530	"Program Location Summary" Coin Label
120100	3/8" Straight (BX) Connector
120300	3/8" x 45° (BX) Connector
120400	3/8" Red Jacket (BX) Insulator
120500	3/8" Jiffy Clip (BX Retainer Clip)
120600	3/8" Greenfield (BX)
120800	1/4" In-Line Connector
120802	Red Butt Connector
120902	#74B Wire Nut
120903	Crimp-On Wire Nut
121014	1/4" Insulated (female) Terminal
121499	5-1/2" Harness Tie
121500	8" Harness Tie
121503	Harness Tie Mounting Clip
122804	Manometer (water column test gauge)
880200	Electrical Terminal (assortment) Kit

