

AD-100 Parts Manual Phase 5

(for models mfd. as of February 1992)

American Dryer Corporation
88 Currant Road
Fall River, MA 02720-4781
Telephone: (508) 678-9010 / Cable: AMDRY / Fax: (508) 678-9447

072893

ADC Part No. 450140

Retain This Manual In A Safe Place For Future Reference

American Dryer Corporation products embody advanced concepts in engineering, design, and safety. If this product is properly maintained, it will provide many years of safe, efficient, and trouble-free operation.

ONLY properly licensed technicians should service this equipment.

Observe all safety precautions displayed on the equipment or specified in the Installation/Operator's Manual included with the dryer.

WARNING: UNDER NO CIRCUMSTANCES should the dryer door switch or the heat circuit devices ever be disabled.

WARNING: The dryer must never be operated with any of the back guards, outer tops, or service panels removed. PERSONAL INJURY or FIRE COULD RESULT.

We have tried to make this manual as complete as possible and hope you will find it useful. ADC reserves the right to make changes from time to time, without notice or obligation, in prices, specifications, colors, and materials and to change or discontinue models.

Important

For your convenience, log the following information:

DATE OF PURCHASE _____ MODEL NO. AD-100

DISTRIBUTOR'S NAME _____

Serial Number(s) _____

Replacement parts can be ordered from your distributor or the ADC factory. When ordering replacement parts from the factory, you can fax your order to ADC at (508) 678-9447 or telephone your orders directly to the ADC Parts Department at (508) 678-9010. Please specify the dryer **model number** and **serial number** in addition to the **description** and **part number**, so that your order is processed accurately and promptly.

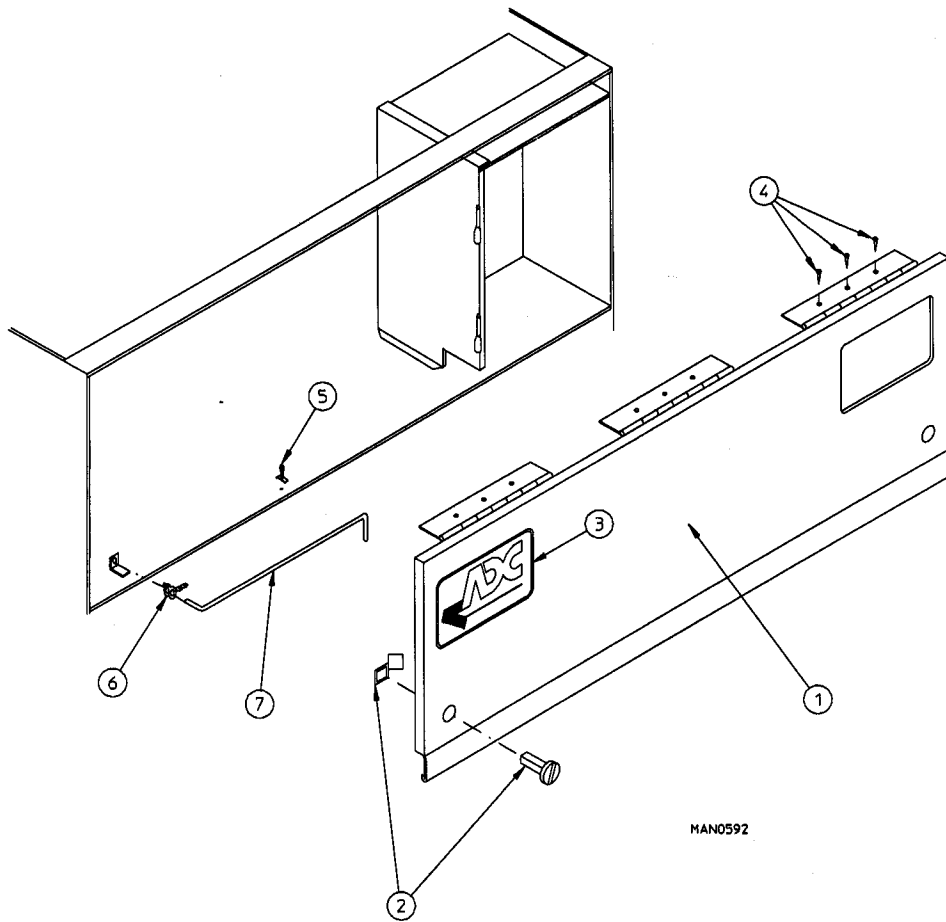
The illustrations on the following pages may not depict your particular dryer exactly. The illustrations are a composite of the various dryer models. Be sure to check the descriptions of the parts thoroughly before ordering.

INSTRUCTIONS TO BE FOLLOWED IN THE EVENT THE USER SMELLS GAS MUST BE POSTED IN A PROMINENT LOCATION. THE INSTRUCTIONS TO BE POSTED SHALL BE OBTAINED FROM THE LOCAL GAS SUPPLIER.

Table of Contents

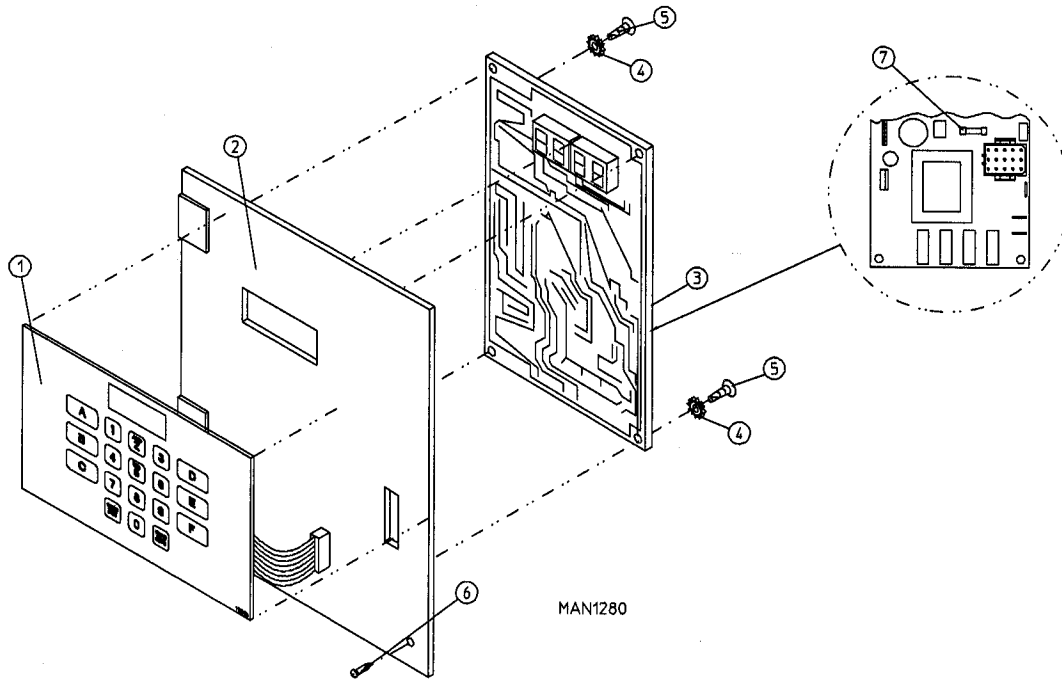
AD-100 Control Door Assembly	1
Phase 5 OPL Microprocessor Control Panel Assembly	2
Phase 5 OPL Microprocessor Control Box Assembly	3
Dual Timer Control Panel Assembly	4
Dual Timer Control Box Assembly	5
AD-100 Front Panel / Main Door Assemblies	6, 7
Main Door Switch Assembly	8
AD-100 Drop Lint Door Assembly	9
AD-100 Lint Trap Assembly	10
AD-100 Basket (Tumbler) / Support Assembly	11
AD-100 Sensor Bracket Assemblies	12, 13
AD-100 Tumbler Bearing Mount Assembly	14, 15
AD-100 Idler Bearing Mount Assembly	16, 17
AD-100 Totally Enclosed, Fan Cooled Basket Motor Mount Assembly	18, 19
AD-100 Blower Motor Mount Assembly	20, 21
ADG-100 Direct Spark Ignition (DSI) Burner Assembly	22, 23
Sail Switch / Burner Hi-Limit Assembly	24, 25
ADE-100 Electric Oven Assembly	26, 27
ADE-100 Electric Oven Relay Box Assembly (208/240 volt service).....	28
ADE-100 Electric Oven Relay Box Assembly (416/480 volt service).....	29

ADS-100 Steam Damper Assembly	30, 31
Microprocessor Reversing Control Assembly	32
Dual Timer Reversing Control Assembly	33
AD-100 Back Guard / Heat Reclaimer Duct Assembly	34
ADG-100 DSI Burner Assembly Specifications	35
ADE-100 Electric Oven Component Application Chart	36
ADE-100 Electric Oven Element Structure	37, 38
ADE-100 Electric Oven Power Distribution	39, 40
AD-100 Stepdown Transformer Usage Listing	41
Additional Parts Available	42



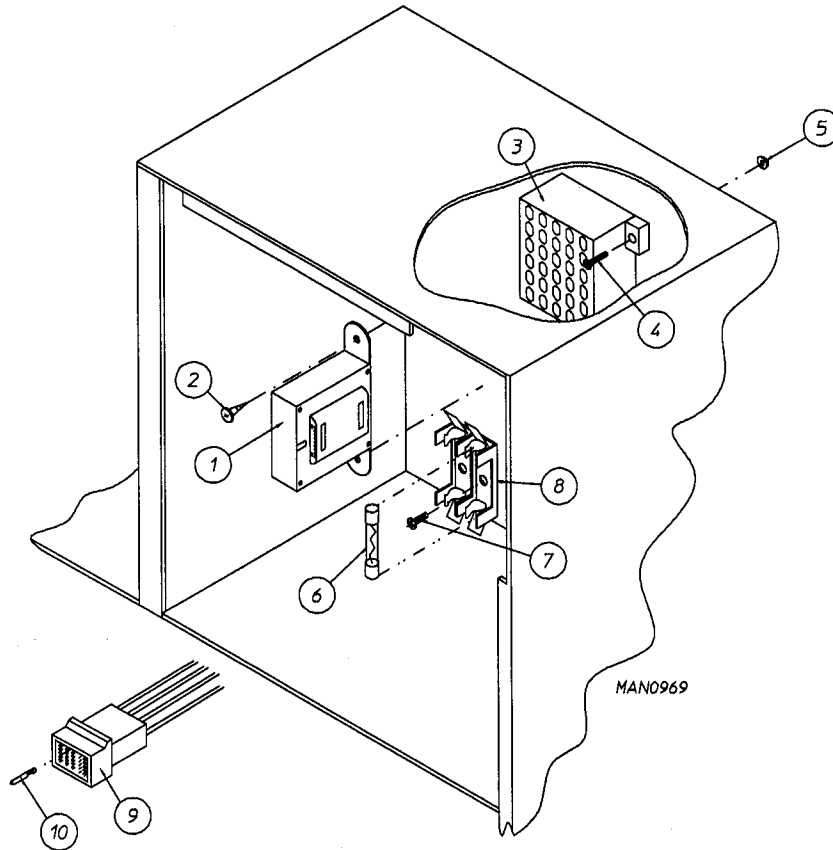
Illus. No.	Part No.	Qty.	Description
1	800016*	1	AD-100 Control Door Assembly
	800044	1	AD-100 Stainless Steel Control Door Assembly
2	160005	2	Spring Turn Latch (2-piece)
3	112360	1	ADC Logo Only
	870011	1	Logo Double Tape Kit
4	150415	9	#10-16 x 1/2" Phillips Round Head Crimptite Screw
5	102600	1	Control Door Support Rod Catch
6	102601	1	Control Door Rod Retainer Clip
7	102501	1	AD-100 Control Door Rod Support

* Specify color when ordering



Illus. No.	Part No.	Qty.	Description
1	112535	1	OPL English Keyboard Label Assembly
	112276	1	OPL Stick-On Labels (English Only) ... Not Illustrated
	112275	1	OPL Stick-On Labels (Spanish, Italian, and Hebrew) ... Not Illustrated
	112277	1	3-Language OPL Stick-On Labels (English, Spanish, and Hebrew) ... Not Illustrated
	112278	1	5-Language OPL Stick-On Labels (Italian, Dutch, French, German, and Chinese) ... Not Illustrated
2	801255	1	Phase 5 Microprocessor Control Panel Only
	801256	1	Phase 5 Microprocessor Control Panel Only with Battery Bracket
	801206	1	Phase 5 OPL Non-Reversing Microprocessor Control Panel Assembly Complete (includes illus. nos. 1 through 6)
	801207	1	Phase 5 OPL Reversing Microprocessor Control Panel Assembly Complete (includes illus. nos. 1 through 6)
3	137222	1	Phase 5 OPL Non-Reversing Controller Only
	137231	1	Phase 5 OPL Reversing Controller Only
	824998	1	Phase 5 Battery Clip
4	153010	2	#6 Star Washer
5	150005	2	#6-32 x 1/4" Phillips Round Head Machine Screw
6	160005	1	Spring Turn Latch (2-piece)
	150415	1	#10-16 x 1/2" Phillips Crimpite Screw
7	136048	1	1/8 Amp (Slo-Blo) Fuse

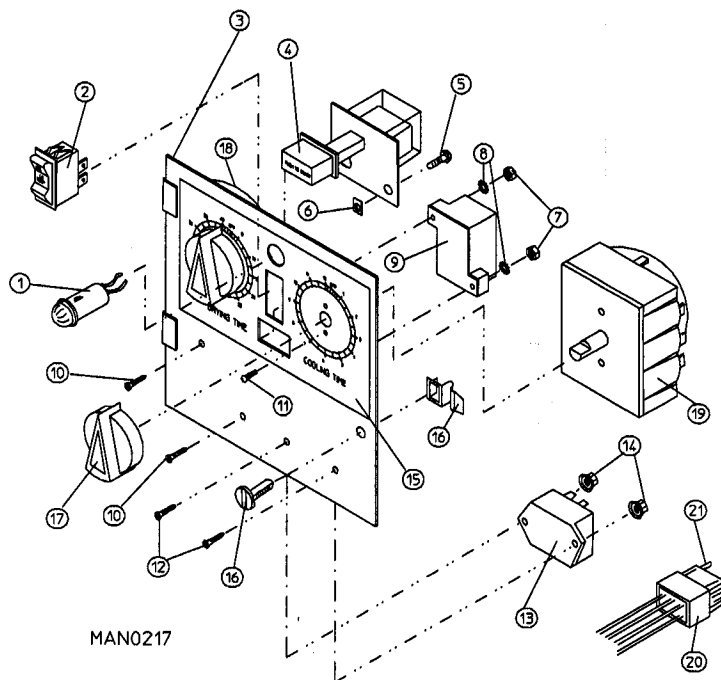
Important: Check label on computer chip to verify correct part number for controller.



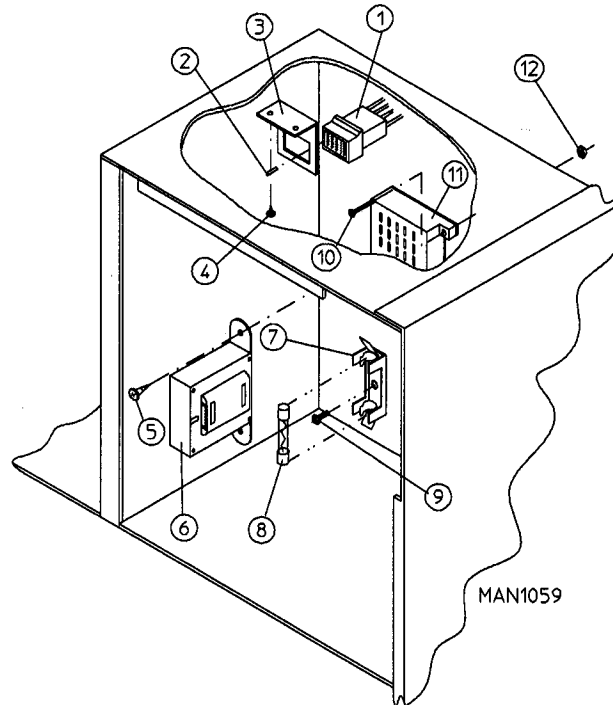
Illus. No.	Part No.	Qty.	Description
1	141403	1**	24VAC Transformer (See Transformer Usage Listing on page 41)
2	150300	2	#10 x 1/2" Hex Washer Tek Screw
3	120715	1	30-Position Terminal Block
4	150002	2	#6-32 x 1" Slotted Round Head Screw
5	151000	2	#6-32 Pal Nut
6	136057	2	1/2-Amp (Slo Blo) Fuse Only
	136052	1	4 Amp Fuse (Electric Models Only)
7	150301	*	#8 x 7/16" Self Drilling Screw
8	136008	*	Fuse Block / Strip Only
9	122641	1	15 Pin Microprocessor Connector
10	122706	*	Sockets

* As Required

** Gas & Steam Models Only



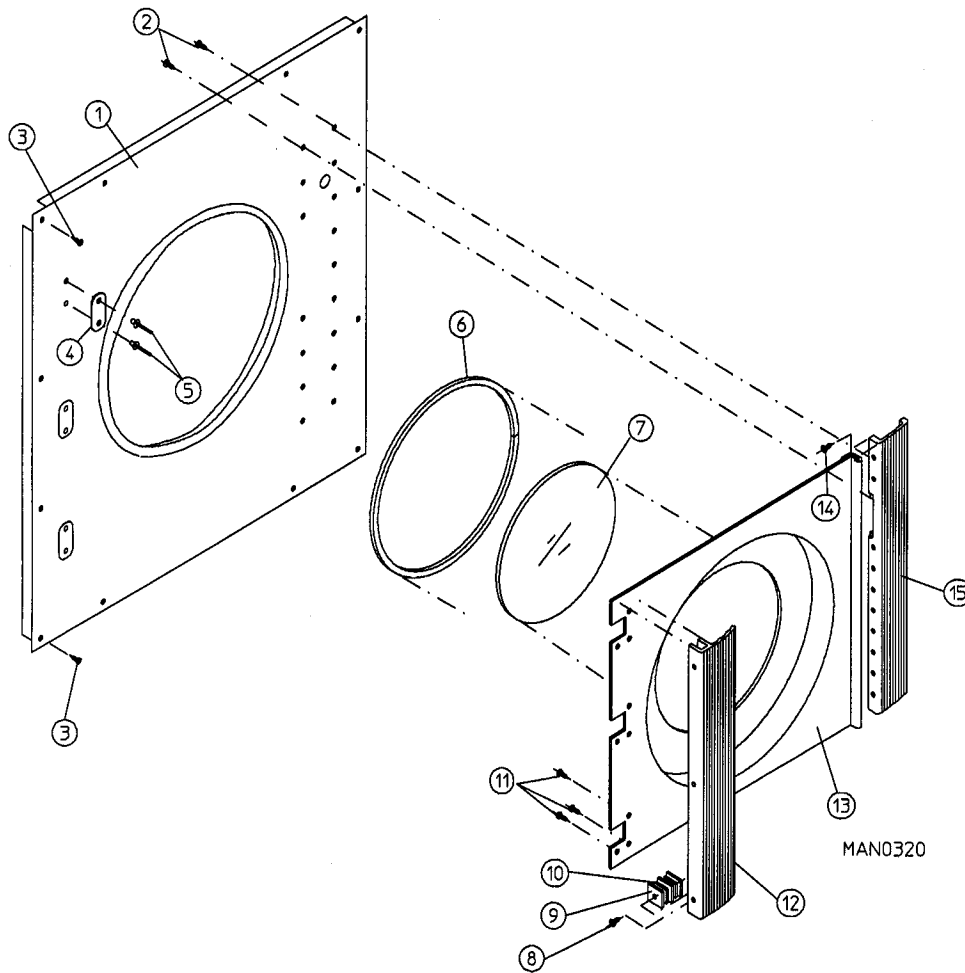
Illus. No.	Part No.	Qty.	Description
1	123005	1	Red Indicator Light 24v
2	122400	1	Rocker Heat Selector Switch
3	824015	1	Dual Timer Control Panel Assembly Complete 24v (includes illus. nos. 1 through 21)
	800051	1	Dual Timer Control Panel Only
4	131917	1	Push To Start Relay 24v
5	150207	2	#10-24 x 1/2" Round Head Machine Screw
6	154001	2	#10-24 Speed Nut
7	152000	2	#6-32 Hex Nut
8	153010	2	#6 Star Washer
9	120730	1	30-Position Terminal Block (models mfg. as of 5-2-93)
	120713	1	18-Position Terminal Block (models mfg. prior to 5-2-93)
10	153565	2	#6-32 x 1" Clinch Stud
11	150110	4	#8-32 x 1/4" Phillips Machine Screw
12	153560	2	#6-32 x 1/2" Clinch Stud
13	131931	1	Dual Timer Relay 24v
14	151000	2	#6-32 Pal Nut
15	112050	1	Dual Timer Label Only
16	160005	1	Spring Turn Latch (2-piece)
	150415	1	#10-16 x 1/2" Phillips Crimp Screws
17	124103	2	Arrow Timer Knob
18	124025	1	60 Minute Timer 24v
19	124030	1	15 Minute Timer 24v
20	122602	1	9-Pin Connector Only
21	122700	7	Pin Terminal Only
---	122801	1	Pin / Socket Extraction Tool



Illus. No.	Part No.	Qty.	Description
1	122603	1	9-Pin Socket Connector
2	122701	7	Socket Terminal Only
	122801	1	Pin / Socket Extraction Tool
3	315010	1	9-Pin Connector Bracket
4	150300	2	#10 x 1/2" Hex Washer Tek Screw
5	150300	2	#10 x 1/2" Hex Washer Tek Screw
6	141403	1**	24 VAC Transformer (See Transformer Usage On Page 41)
7	136008	*	Fuse Block / Strip Only
8	136057	2	1/2-Amp (Slo Blo) Fuse Only
	136052	1	4 Amp Fuse (Electric Models Only)
9	150301	*	#8 x 7/16" Phillips Pan Head Tek Screw
10	150002	2	#6-32 x 1" Slotted Round Head Machine Screw
11	120715	1	30-Position Terminal Block
12	151000	2	#6-32 Pal Nut

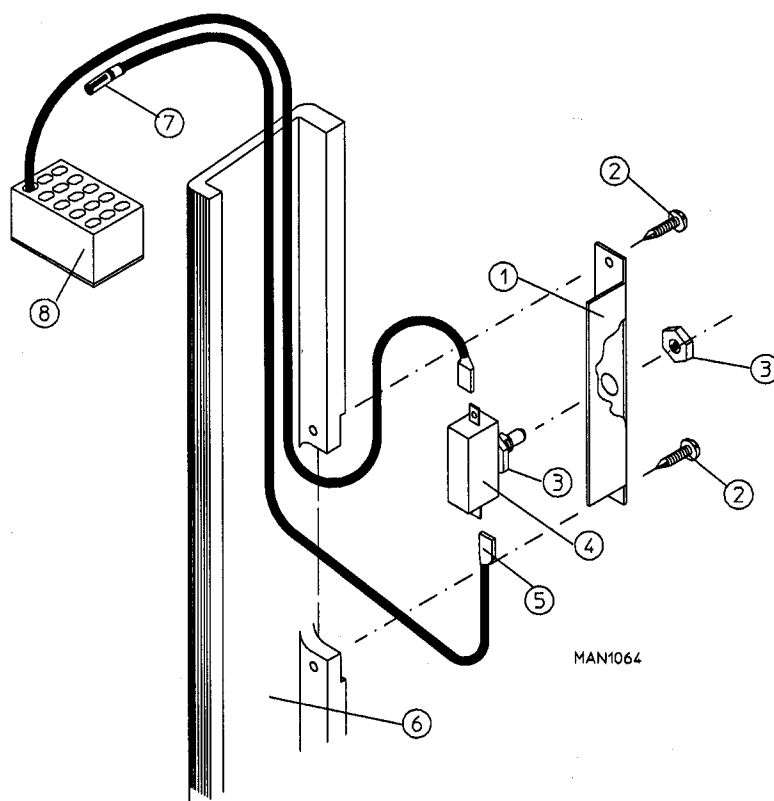
* As required.

** Gas & Steam Models Only

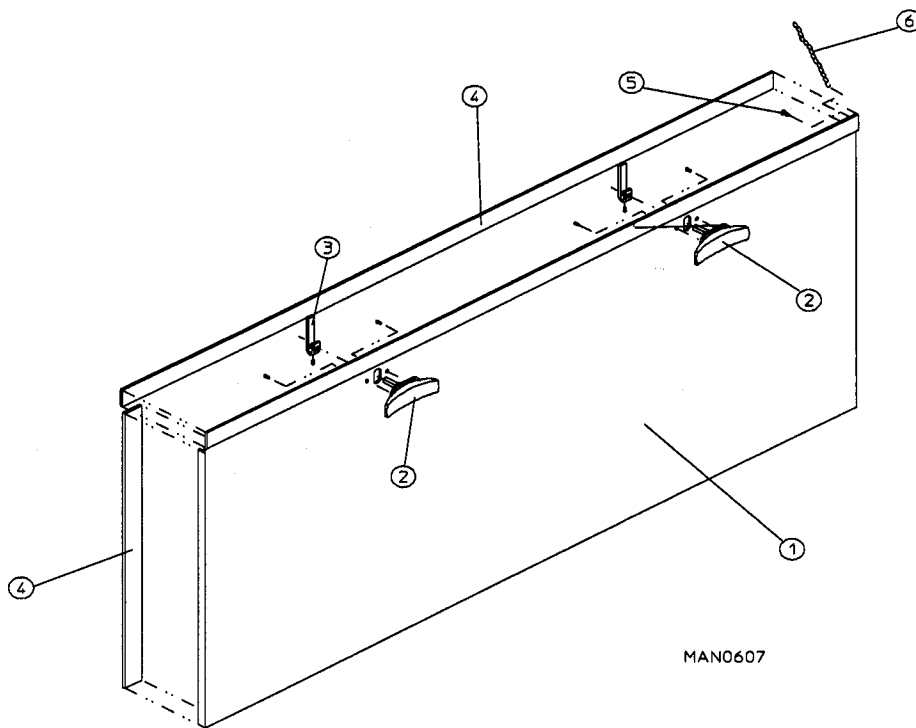


Illus. No.	Part No.	Qty.	Description
1	800349*	1	AD-100 Right-Hand Front Panel Assembly (includes illus. nos. 1, 4, and 5)
	850751	1	AD-100 Stainless Steel Right-Hand Front Panel Assembly (includes illus. nos. 1, 4, and 5)
2	150415	15	#10-16 x 1/2" Phillips Round Head Crimptite Screw
3	150412	12	#10-16 x 3/4" Phillips Round Head Crimptite Screw
4	170340	3	3-1/2" Stainless Steel Striker Pad
5	154200	6	5/32" Pop Rivet
6	102308	1	AD-100 Door Gasket Only (94" length)
7	102210	1	20-7/16" Door Glass Only
	170730	1	Glass and Gasket Adhesive (10.3 oz. Cartridge)
8	150401	3	#10-24 x 1-1/4" Phillips Taptite Screw
9	306801	6	Magnet Keeper Only
10	102100	6	1" x 1" x 1/4" Main Door Magnet Only
11	150415	9	#10-16 x 1/2" Phillips Round Head Crimptite Screw
12	180150	1	35" Gray Main Door Handle Only (Models mfg. prior to 3-8-93)
	180151	1	35" Granite Main Door Handle Only (Models mfg. as of 3-8-93)
13	800127*	1	AD-100 Main Door Assembly Complete with Gray Handle (includes illus. nos. 6 through 13) (Models mfg. prior to 3-8-93)
	800265*	1	AD-100 Main Door Assembly Complete with Granite Handle (includes illus. nos. 6 through 13) (Models mfg. as of 3-8-93)
	800128	1	AD-100 Stainless Steel Main Door Assembly Complete with Gray Handle (includes illus. nos. 6 through 13) (Models mfg. prior to 3-8-93)
	800266	1	AD-100 Stainless Steel Main Door Assembly Complete with Granite Handle (includes illus. nos. 6 through 13) (Models mfg. as of 3-8-93)
	800122*	1	AD-100 Main Door Assembly with Glass and Gasket Only (includes illus. nos. 6, 7, and 13)
	800123	1	AD-100 Stainless Steel Main Door Assembly with Glass and Gasket Only (includes illus. nos. 6, 7, and 13)
	800112*	1	AD-100 Main Door Only
	800113	1	AD-100 Stainless Steel Main Door Only
14	150430	11	#10 x 1/2" Phillips Self Drilling Screw
15	180155	1	35" Gray Main Door Hinge Block Only (Models mfg. prior to 3-8-93)
	180156	1	35" Granite Main Door Hinge Block Only (Models mfg. as of 3-8-93)

* Specify color when ordering.

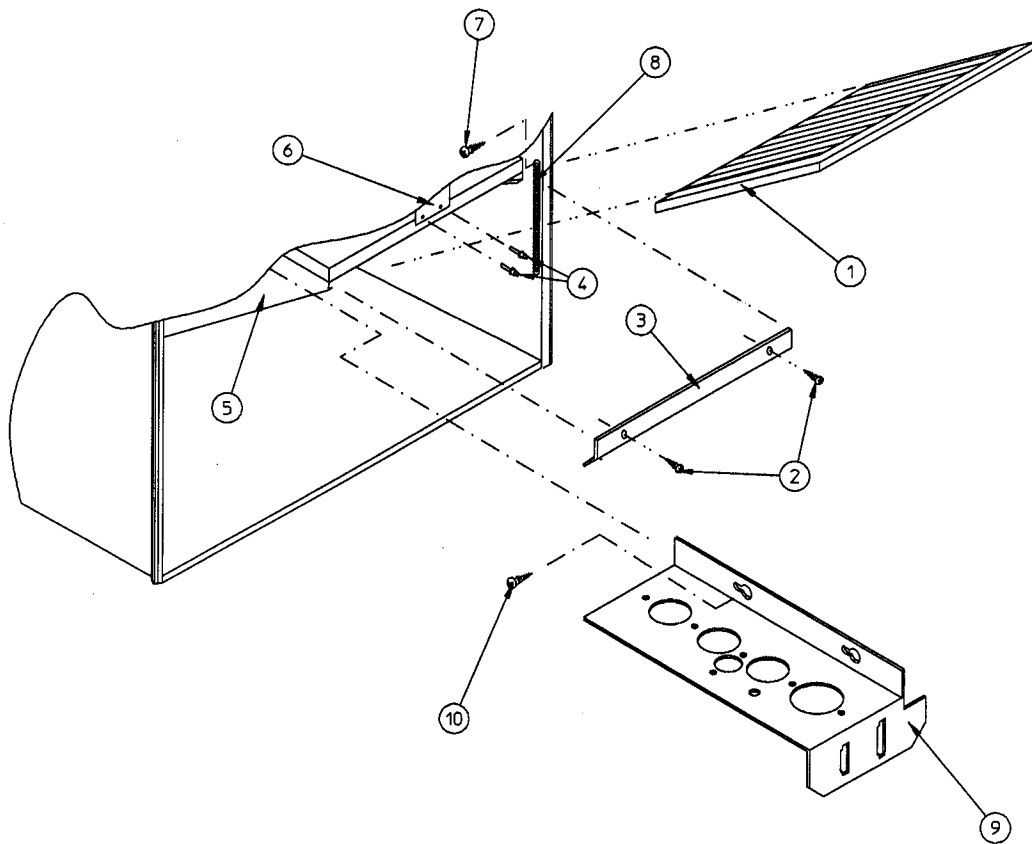


Illus. No.	Part No.	Qty.	Description
1	313208	1	Door Switch Bracket
2	150415	2	#10-16 x 1/2" Phillips Round Head Crimptite Screw
3	152003	2	3/8-32 x 1/2" Door Switch Nut
4	136995	1	Door Switch Only
5	121028	2	1/4" x .032" Insulated Terminal Only
6	180155	1	35" Gray Main Door Hinge Block Only (Models mfg. prior to 3-8-93)
	180156	1	35" Granite Main Door Hinge Block Only (Models mfg. as of 3-8-93)
7	122705	2	Socket Mate to Split Pin
8	122626	1	15-Pin Cap Housing Only (M/L)

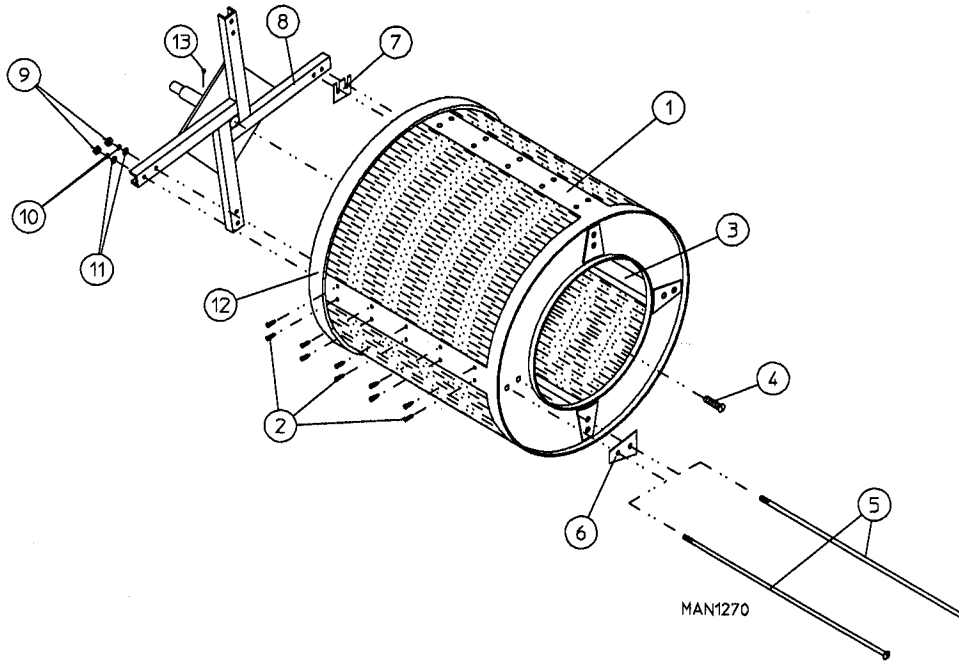


Illus. No.	Part No.	Qty.	Description
1	800213*	1	AD-100 Drop Lint Door Assembly (includes illus. nos. 1 and 4 only)
	800238	1	AD-100 Stainless Steel Drop Lint Door Assembly (includes illus. nos. 1 and 4 only)
2	800150	2	Knob Latch Kit Assembly (includes illus. nos. 2 and 3)
	160200	2	Knob Latch Only with 2 Screws
3	160009	2	Knob Latch Adjustable Cam
	150425	2	#12-24 x 3/8" Round Head Machine Screw (screw for knob latch adjustable cam)
4	117600	7	Noise Suppresser Tape (sold in feet)
	150419	2	#6 x 1/2" Tamperproof Tek Screw
6	108123	1	Chain for Drop Lint Door
	150418	1	Tamperproof Screw Hand Driver

* Specify color when ordering.



Illus. No.	Part No.	Qty.	Description
1	800504	1	AD-100 Lint Screen Only
2	150300	2	#10 x 1/2" Hex Washer Tek Screw
3	304024	1	Lint Screen Holder Support Bracket
4	154200	2	5/32" Pop Rivet
5	800413	1	AD-100 Lint Trap Assembly Complete (for all models except super steam) (includes illus. nos. 1, 2, 3, and 5)
	800415	1	ADS-100 Lint Trap Assembly Complete (for super steam models only) (includes illus. nos. 1, 2, 3, and 5)
	800412	1	AD-100 Lint Trap Only (for all models except super steam)
	800414	1	ADS-100 Lint Trap Only (for super steam models only)
6	304025	1	Lint Trap Hanger Bracket Only
7	150419	1	#6 x 1/2" Tamperproof Tek Screw
8	108123	1	Chain for Drop Lint Door
9	-----	1	Universal Sensor Bracket (see AD-100 Sensor Bracket Assemblies on pages 12 and 13).
10	150301	2	#8-18 x 7/16" Phillips Pan Head Tek Screw
---	150418	1	Tamperproof Screw Hand Driver

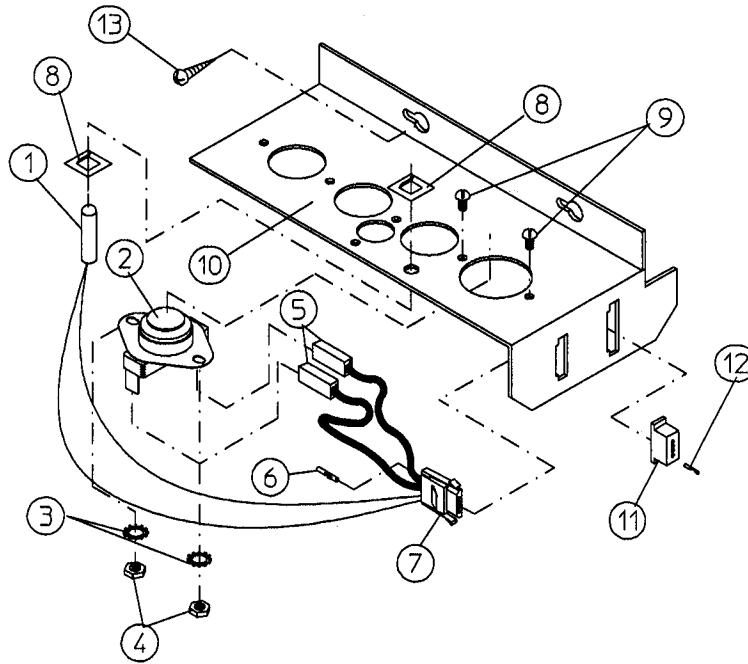


Illus. No.	Part No.	Qty.	Description
1*	800707	1	AD-100 Basket Only
	800858	1	AD-100 Stainless Steel Basket Only
	800807	1	AD-100 Basket and Support Assembly Complete (includes illus. nos. 1 through 11)
	820054	1	AD-100 Basket and Support Assembly Complete (for models with rotation sensor) (includes illus. nos. 1 through 12)
	800868	1	AD-100 Stainless Steel Basket and Support Assembly Complete (includes illus. nos. 1 through 11)
	820053	1	AD-100 Stainless Steel Basket and Support Assembly Complete (for models with rotation sensor) (includes illus. nos. 1 through 12)
2	150415	40	#10-16 x 1/2" Phillips Round Head Crimptite Screw
3	301300	4	AD-100 Basket Rib Only
	301400	4	AD-100 Stainless Steel Basket Rib Only
4	150500	1	5/16-18 x 3/4" Socket Button Head Screw
5	100904	8	7/16-14 x 43" Tie Rod
6	301700	4	Basket Reinforcing Plate Only
7	301701	**	AD-100 Basket Shim Only
8	800607	1	AD-100 Basket Support Only
	880821	1	AD-100 Basket Support Only (for models with rotation sensor) ***
9	152009	8	7/16-14 Hex Nut
10	153013	8	7/16" Lock Washer
11	153014	8	7/16" Flat Washer
12	116004	1	Felt Collar Only
---	401010	1	#847 Adhesive for Felt Collar
13	821002	1	Rotation Magnet Holder Assembly

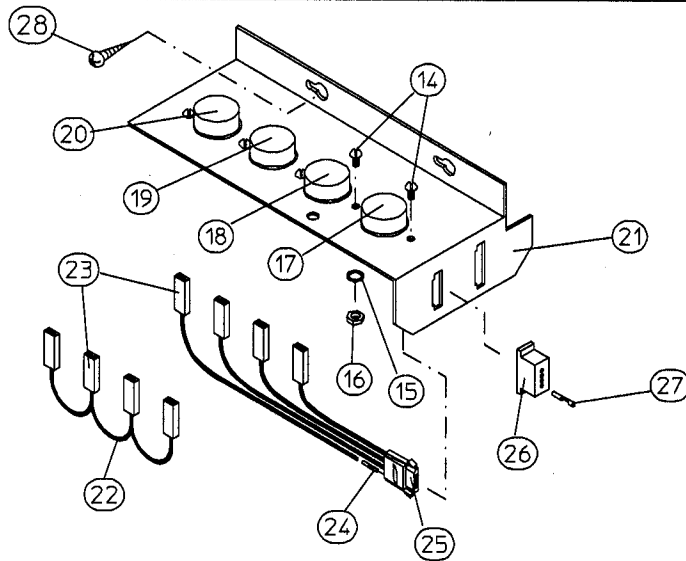
* Felt collar not included and must be ordered separately.

** As required.

*** Rotation Sensor Magnet Holder Assembly must be purchased separately



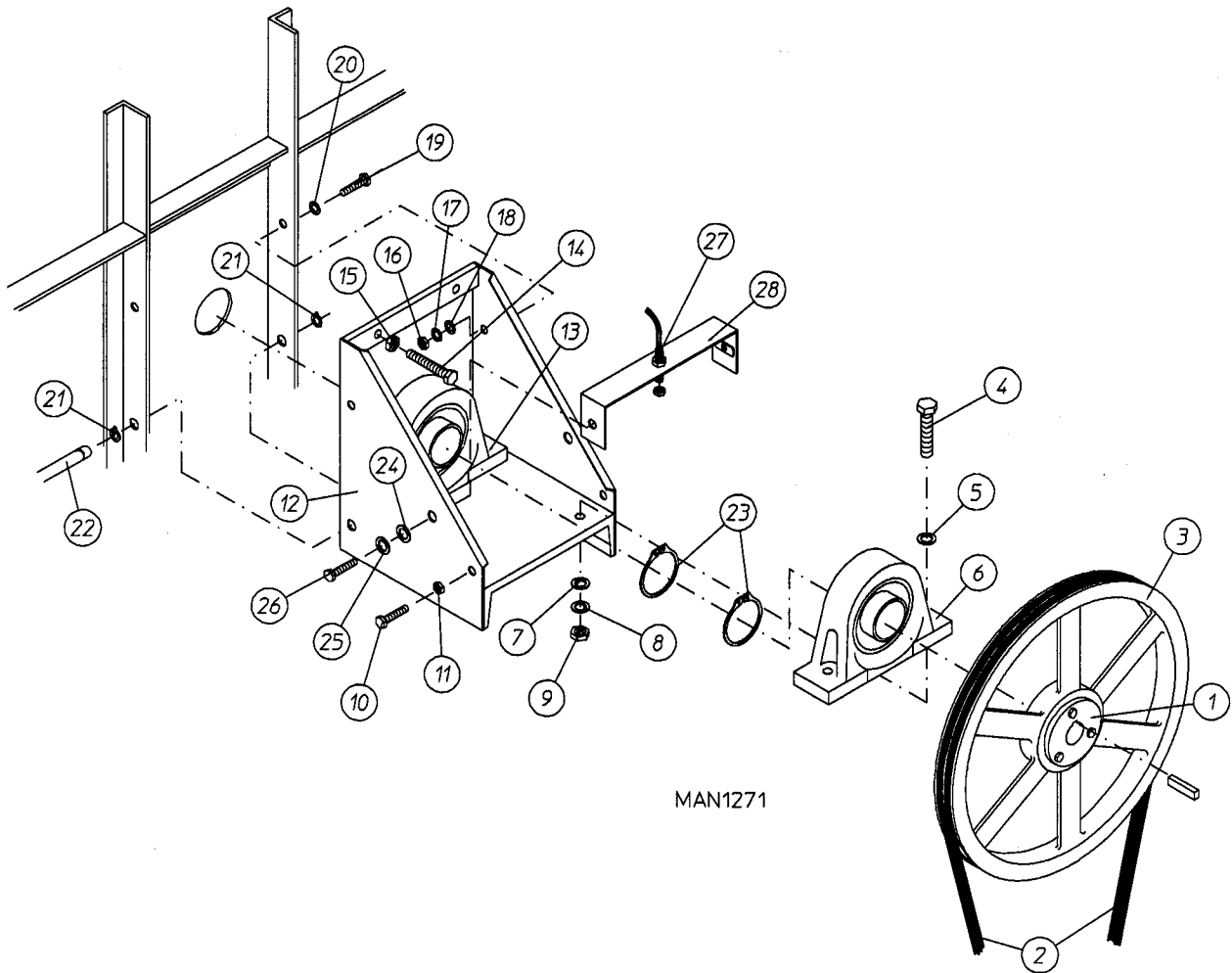
MICROPROCESSOR SENSOR BRACKET ASSEMBLY



NON-MICROPROCESSOR SENSOR BRACKET ASSEMBLY

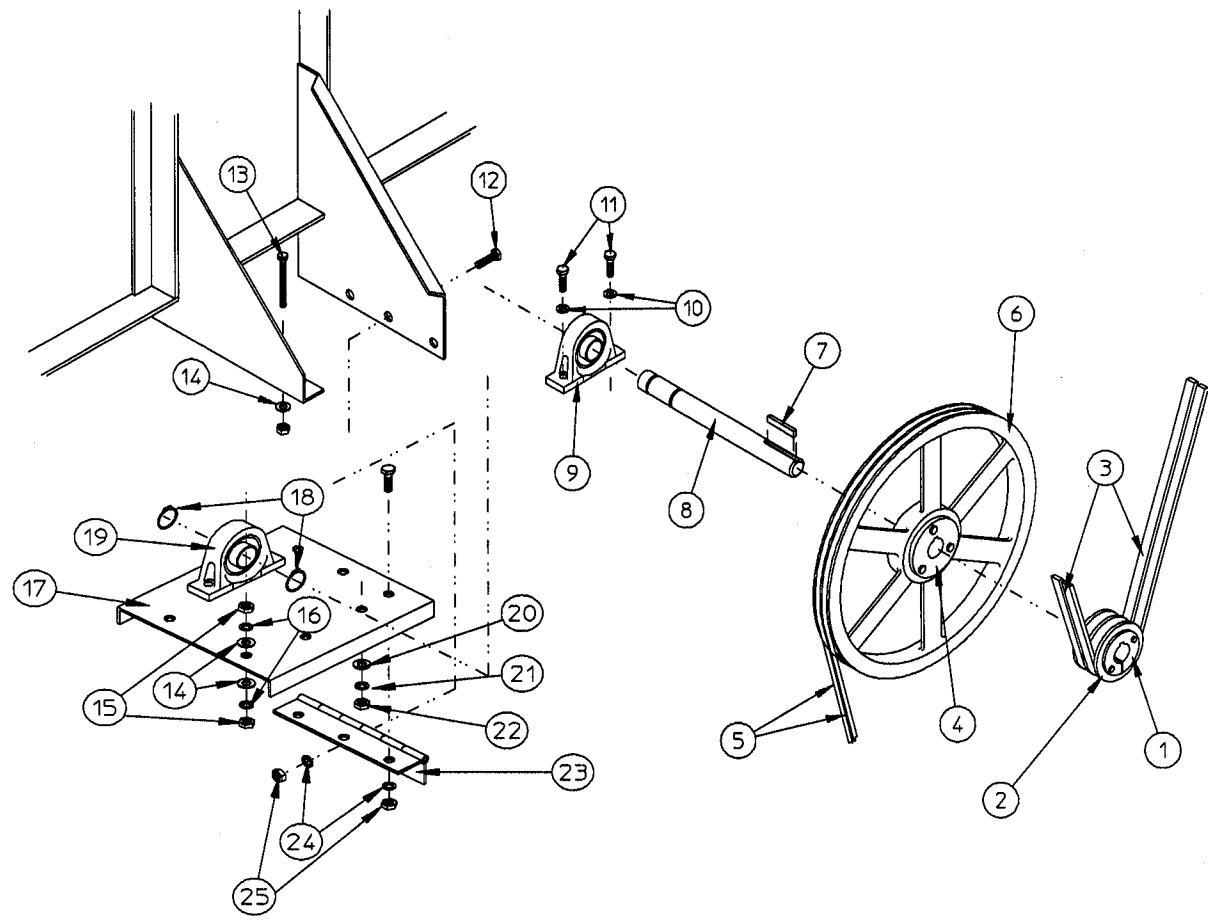
MAN0609

Illus. No.	Part No.	Qty.	Description
1	880251	1	1/4" Temperature Sensor Probe Assembly (includes illus. nos. 1 and 5 through 8)
2	130103	1	225° Large Automatic Reset Thermostat
3	153010	2	#6 Star Washer
4	152000	2	#6-32 Hex Nut
5	121028	2	Insulated Terminal Only
6	122701	4	Socket Terminal Only
7	122605	1	4-Pin Socket Connector Only
8	154007	2	1/4" Tinnerman Push-on Fastener
9	150000	2	#6-32 x 1/4" Round Head Machine Screw
10	801425	1	Microprocessor Sensor Bracket Assembly Complete (includes illus. nos. 1 through 10)
	305007	1	Universal Sensor Bracket Only
11	122604	1	4-Pin Connector Only
12	122700	4	Pin Terminal Only
13	150301	2	#8 x 7/16" Phillips Pan Head Tek Screw
14	150000	5	#6-32 x 1/4" Round Head Machine Screw
15	153010	5	#6 Star Washer
16	152000	5	#6 Hex Nut
17	130101	1	180° Large Thermostat (for gas and electric models only)
	130104	1	215° Large Thermostat (for steam models only)
18	130109	1	140° Large Thermostat (for gas and electric models only)
	130100	1	150° Large Thermostat (for steam models only)
19	130107	1	160° Large Thermostat (for gas and electric models only)
	130101	1	180° Large Thermostat (for steam models only)
20	130103	1	225° Large Automatic Reset Thermostat (for all models)
21	801403	1	Non-Microprocessor Sensor Bracket Assembly Complete (includes illus. nos. 14 through 25) (for gas and electric models only)
	801408	1	Non-Microprocessor Sensor Bracket Assembly Complete (includes illus. nos. 14 through 25) (for steam models only)
	305007	1	Universal Sensor Bracket Only
22	831701	1	AD-100 Sensor Jumper (4) Only
23	121028	4	Insulated Terminal Only
24	122701	4	Socket Terminal Only
25	122605	1	4-Pin Socket (female) Connector Only
	840062	1	Sensor (4) Bracket Harness Assembly (includes illus. nos. 23, 24, and 25)
26	122604	1	4-Pin Connector Only
27	122700	4	Pin Terminal Only
	122801	1	Pin / Socket Extraction Tool
28	150301	2	#8 x 7/16" Phillips Pan Head Tek Screw



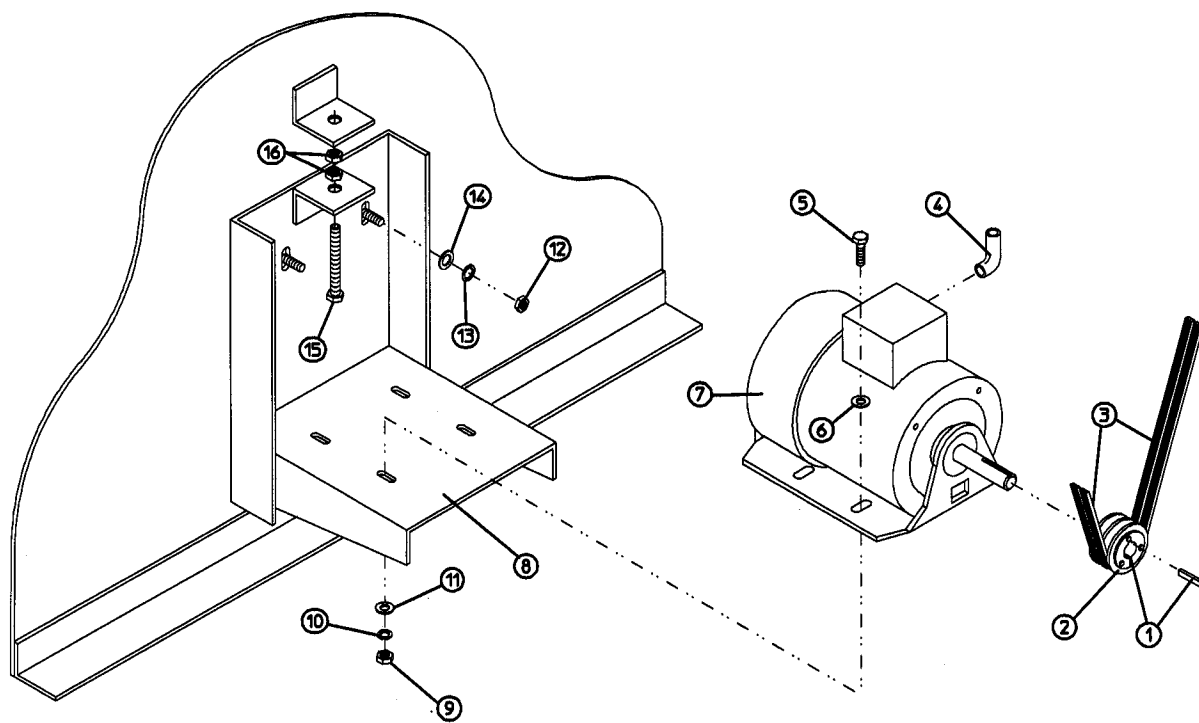
Illus. No.	Part No.	Qty.	Description
1	101108	1	2-1/4" SK Bushing
2*	100104	2	A68 "V" Belt
3	101111	1	AD-100 18" Basket Pulley
4	150602	4	5/8-11 x 3" Hex Head Machine Bolt
5	153016	4	5/8" Flat Washer
6	100204	1	2-1/4" Pillow Block Bearing
7	153016	4	5/8" Flat Washer
8	153015	4	5/8" Lock Washer
9	152010	4	5/8-11 Hex Nut
10	150600	2	3/8-16 x 1-1/2" Hex Head Machine Bolt
11	152005	2	3/8-16 Hex Nut
12	801102	1	AD-100 Tumbler Bearing Mount Assembly (includes illus. nos. 4 through 13)
13	100204	1	2-1/4" Pillow Block Bearing
14	150603	2	1/2-13 x 3" Square Head Machine Bolt
15	152011	2	1/2-13 Hex Nut
16	152005	2	3/8-16 Hex Nut
17	153005	2	3/8" Lock Washer
18	153004	4	3/8" Flat Washer
19	150600	2	3/8-16 x 1-1/2" Hex Head Machine Bolt
20	153004	2	3/8" Flat Washer
21	100801	2	5/8" Retaining Ring
22	301810	1	AD-100 (5/8") Hinge Pin
23	100811	2	2 1/4" Retaining Ring
24	153018	2	1/4" Flat Washer
25	153007	2	1/4" Split Lock Washer
26	150512	2	1/4-20 x 1/2" Hex Head Machine Bolt
27	824807	1	Rotational Sensor Assembly
28	880841	1	Rotational Sensor Mounting Bracket

* Replace in match sets (both belts).



Illus. No.	Part No.	Qty.	Description
1	101110	1	1" Bushing
2	101113	1	2A3.0 Pulley
3*	100104	2	A68 "V" Belt
4	101107	1	1" SK Bushing
5*	100102	2	3V740 "V" Belt
6	101112	1	AD-100 19" Idler Pulley
7	100715	1	1/4" x 1/4" x 4-5/8" Key
8	301852	1	AD-100 (1") Idler Shaft Only
9	100205	1	1" Pillow Block Bearing
10	153004	4	3/8" Flat Washer
11	150600	4	3/8-16 x 1-1/2" Hex Head Machine Bolt
12	150512	6	1/4-20 x 1/2" Hex Head Machine Bolt
13	150509	2	5/16-18 x 3" Hex Head Machine Bolt
14	153001	6	5/16" Flat Washer
15	152004	6	5/16-18 Hex Nut
16	153002	4	5/16" Lock Washer
17	801001	1	AD-100 Idler Bearing Mount Assembly Complete (includes illus. nos. 7 through 11 and 17 through 25)
	311401	1	AD-100 Idler Bearing Mount Only
18	100800	2	1" Retaining Ring
19	100205	1	1" Pillow Block Bearing
20	153004	4	3/8" Flat Washer
21	153005	4	3/8" Lock Washer
22	152005	4	3/8-16 Hex Nut
23	103005	1	AD-100 Idler Adjustment Hinge Only
24	153007	6	1/4" Lock Washer
25	152002	6	1/4-20 Hex Nut

* Replace in matched sets (both belts).



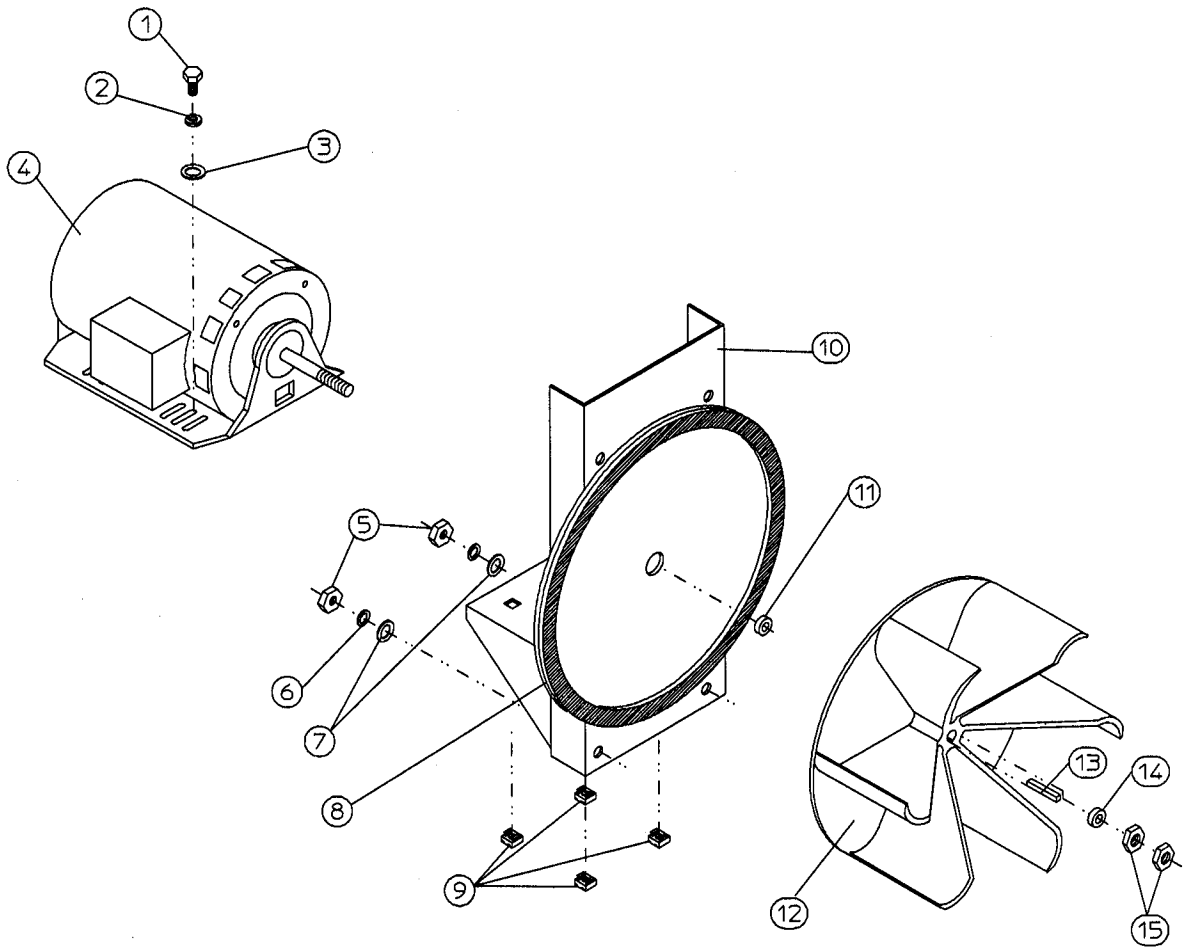
MAN0329

Illus. No.	Part No.	Qty.	Description
1	101121	1	5/8" SK Bushing
2	101114	1	2.65" Pulley (60Hz Only)
	101120	1	3.15" Pulley (50Hz Only)
3*	100102	2	3V740 "V" Belt
4	120200	1	3/8" x 90° Connector
5	150501	4	5/16-18 x 3/4" Hex Head Machine Bolt
6	153001	4	5/16" Flat Washer
7	100029	1	3/4 HP 208/230/380/460v 50/60Hz 3ø T.E.F.C. Motor (56Z frame)
8	800952	1	AD-100 Basket Motor Mount Only (56Z frame)
	800953**	1	AD-100 (60Hz) T.E.F.C. Basket Motor Mount Assembly Complete (includes illus. nos. 1, 2, 4 through 11, 15, and 16)
	800955**	1	AD-100 (50Hz) T.E.F.C. Basket Motor Mount Assembly Complete (includes illus. nos. 1, 2, 4 through 11, 15, and 16)
9	152004	4	5/16-18 Hex Nut
10	153002	4	5/16" Lock Washer
11	153001	4	5/16" Flat Washer
12	152004	4	5/16-18 Hex Nut
13	153002	4	5/16" Lock Washer
14	153001	4	5/16" Flat Washer
15	150619	1	3/18-16 x 3" Hex Head Machine Bolt
16	152005	2	3/8-16 Hex Nut

IMPORTANT: For voltages higher than 460v, contact the factory for correct part number of motor or motor mount assembly.

* Replace in matched sets (both belts).

** Specify voltage when ordering.



MAN0193

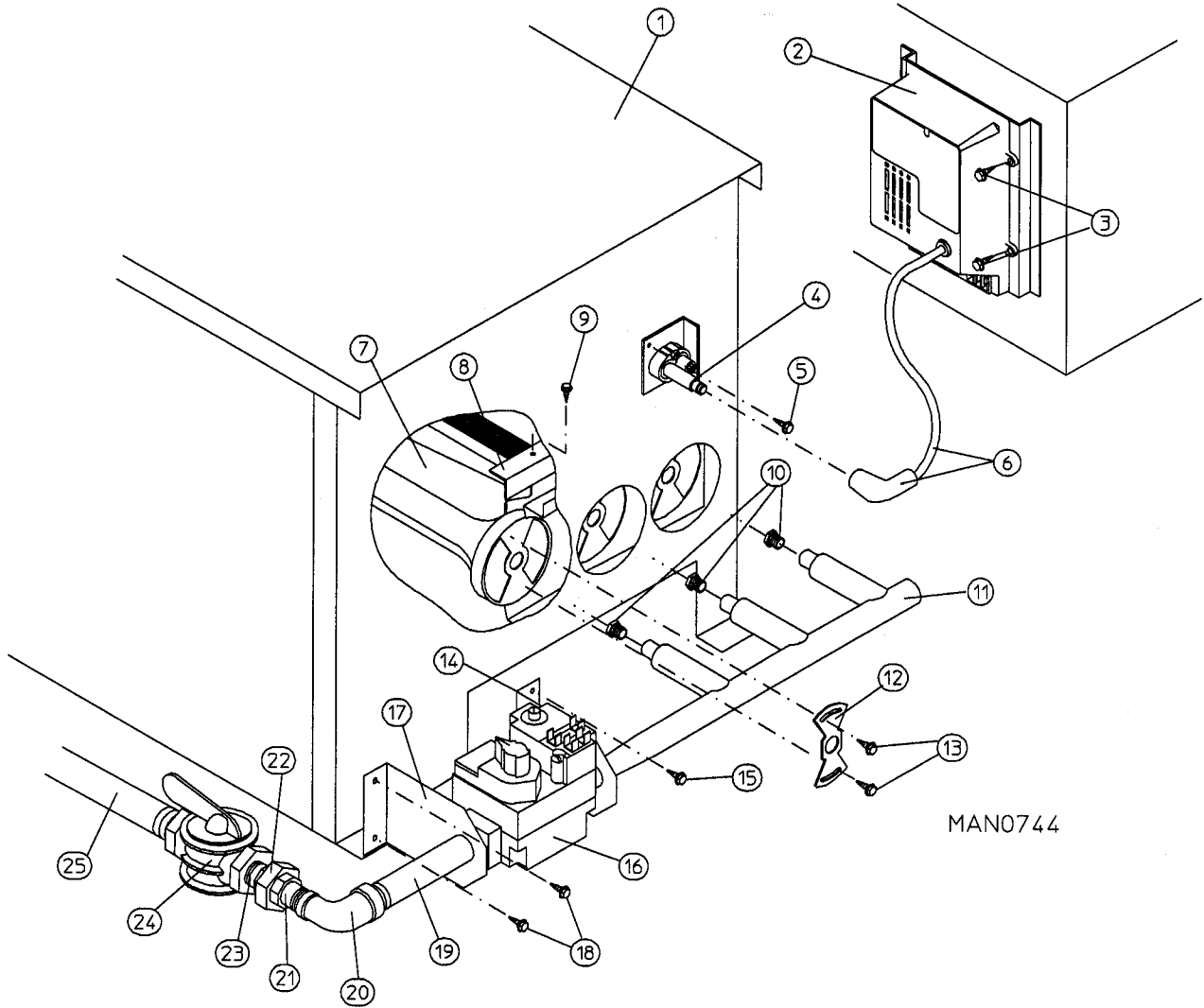
Illus. No.	Part No.	Qty.	Description
1	150501	4	5/16-18 x 3/4" Hex Head Machine Bolt
2	153002	4	5/16" Lock Washer
3	153001	4	5/16" Flat Washer
4	100030*	1	1HP 208/230/380/460v 50/60Hz 3ø Motor with 3/4" Shaft (56Z frame) (for all models mfg. as of 1-1-93 except super steam)
	100028*	1	1HP 208/230/380/460v 50/60Hz 3ø Motor with 1/2" Shaft (56Z frame) (for all models mfg. prior to 1-1-93 except super steam)
	100023	1	3HP 208/230/460v 50/60Hz 3ø Motor (56Z frame) (for super steam models only)
5	152004	4	5/16-18 Hex Nut
6	153002	4	5/16" Lock Washer
7	153001	4	5/16" Flat Washer
8	117600	4	Noise Suppressor Tape (sold in feet)
9	154000	4	5/16-18 Tinnerman Nut
10	800907	1	1HP Blower Motor Mount Only (56Z frame) (for all models except super steam)
	800913	1	3HP Blower Motor Mount Only (56Z frame) (for super steam models only)
	803891*	1	1HP Blower Motor Mount Assembly Complete (includes illus. nos. 1 through 4 and 8 through 15) (for all models mfg. as of 1-1-93 except super steam)
	803899*	1	1HP Blower Motor Mount Assembly Complete (includes illus. nos. 1 through 4 and 8 through 15) (for all models mfg. prior to 1-1-93 except super steam)
	803892**	1	3HP Blower Motor Mount Assembly Complete (includes illus. nos. 1 through 4, 8 through 12, 14, and 15) (for super steam models only)
11	153055	1	5/8" Motor Washer
12	100603	1	16" Impellor with 3/4" Bore (for models with P/N 100030 motor ONLY)
	100607	1	16" Impellor with 1/2" Bore (for models with P/N 100028 motor ONLY)
	100605	1	13" Magnesium Impellor (for models with P/N 100023 motor ONLY)
13	100702	1	1/8" x 1/8" x 1 1/2" Key (for models with P/N 100028 motor ONLY)
	100714	1	3/16" x 3/16" x 1 7/8" Key (for models with P/N 100030 motor ONLY)
14	153050	***	1/2" S.A.E. Flat Washer
15	152006	2	1/2-20 Left-Hand Jam Nut

IMPORTANT: For voltages higher than 460v, contact the factory for correct part number of motor or motor mount assembly.

* Check part number on motor data label to verify correct motor.

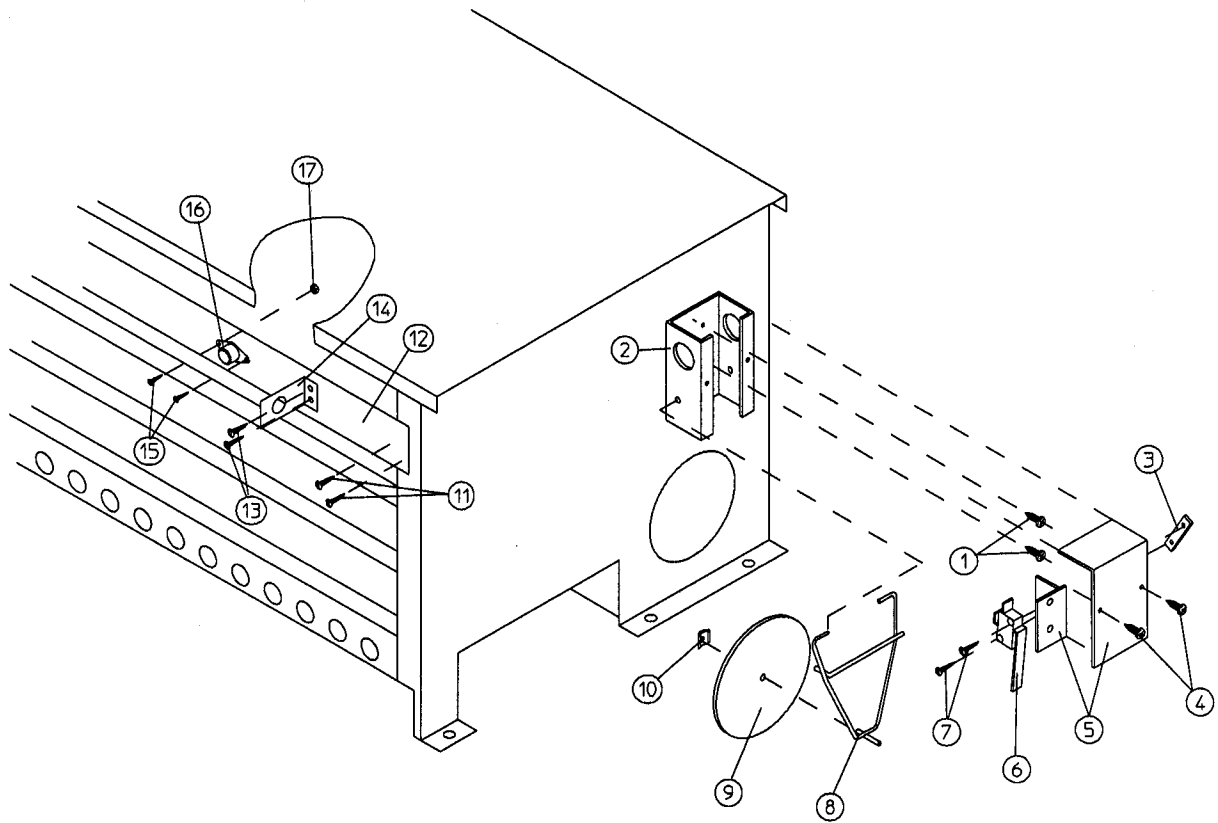
** Specify voltage when ordering.

*** As required.



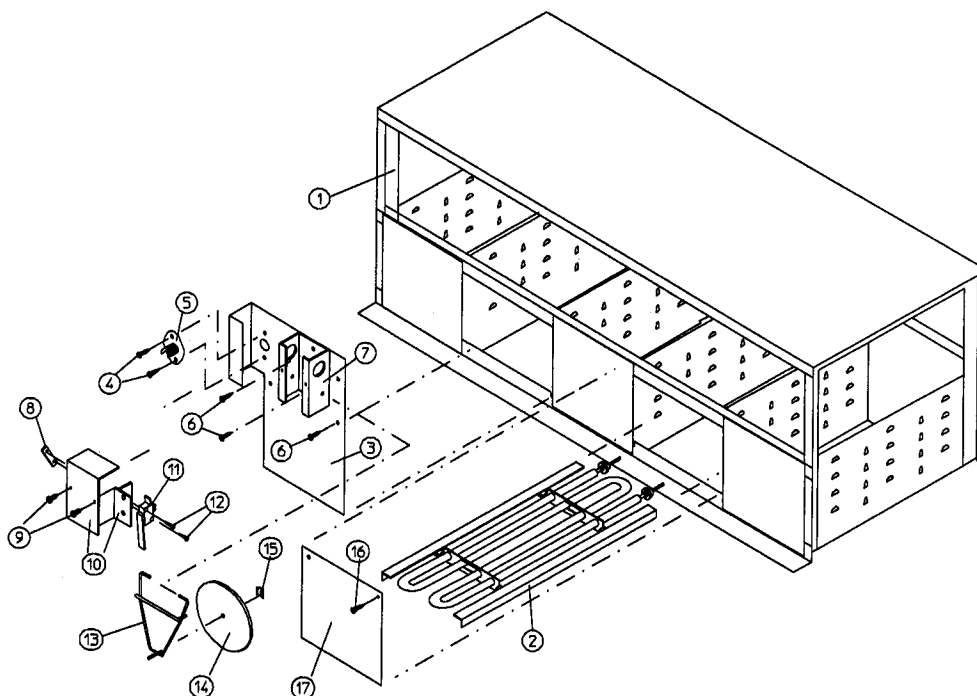
Illus. No.	Part No.	Qty.	Description
1	850853	1	ADG-100 Non-Heat Reclaimer Burner Box Only
	850864	1	ADG-100 Heat Reclaimer Burner Box Only
	-----	1	Burner Assembly less Orifices (see DSI Burner Assembly Listing on page 35)
2	880815	1	DSI Module Only 50/60Hz
3	150299	4	#10 x 1" Hex Washer Tek Screw
4	880134	1	DSI Ignitor/Flame -Probe Assembly Kit (includes high voltage [HV] wire and connector)
	305410	1	DSI Ignitor Gap Feeler Gauge ... Not Illustrated
5	150415	2	#10-16 x 1/2" Phillips Round Head Crimptite Screw
6	880330	1	DSI Ignitor HV Wire/Connector Only
7	141124	3	ADG-100 Ribbon Burner Only
	141175	*	ADG-100 Replacement Ribbon (for burner) Only
8	318318	2	ADG-100 Ribbon Burner Brace Only
9	150415	6	#10-16 x 1/2" Phillips Round Head Crimptite Screw
10	-----	3	Burner Orifice (see DSI Burner Orifice Listing on page 35).
11	141208	1	3-Port Manifold Only
12	318316	3	ADG-100 Primary Air Baffle (natural gas) Only
	318321	3	ADG-100 Primary Air Baffle (liquid propane gas) Only
13	150415	6	#10-16 x 1/2" Round Head Crimptite Screw
14	318317	1	ADG-100 Pipe Bracket
15	150415	2	#10-16 x 1/2" Round Head Crimptite Screw
16	128928	1	ADG-100 1/2" 24VAC Redundant (natural gas) Gas Valve
	140411	1	1/2" 24VAC Gas Valve L.P. (liquid propane) Conversion Kit
17	318317	1	ADG-100 Pipe Bracket
18	150415	2	#10-16 x 1/2" Phillips Round Head Crimptite Screw
19	142703	1	1/2" x 4" Nipple
20	142511	1	3/4" to 1/2" Reducing Elbow
21	142701	1	3/4" Close Nipple
22	142601	1	3/4" Union
23	142701	1	3/4" Close Nipple
24	141300	1	3/4" Union Shutoff Only
25	142821	1	3/4" x 36" Pipe
---	-----	1	Conversion Kit (see DSI L.P. Conversion Kit Listing on page 35).

* As required.

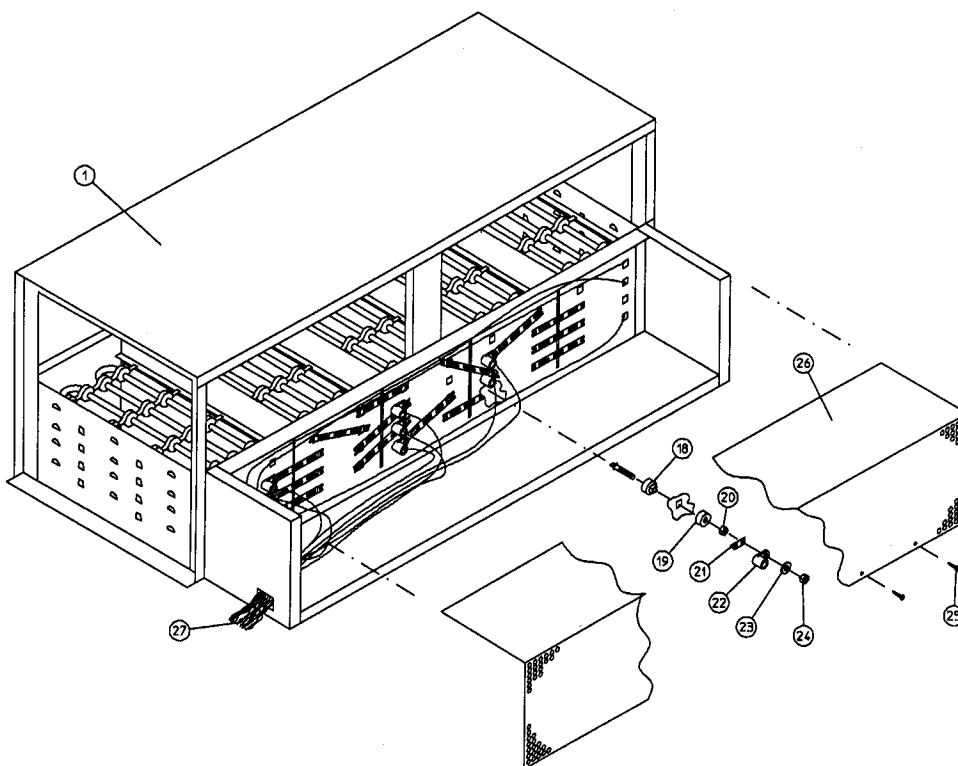


MAN0612

Illus. No.	Part No.	Qty.	Description
1	150415	2	#10-16 x 1/2" Phillips Round Head Crimptite Screw
2	802800	1	Sail Switch Box with Cover and Bracket Only
	802801	1	Sail Switch Assembly Complete (includes illus. nos. 2 through 10)
3	154004	1	Twin Speed Nut
4	150415	2	#10-16 x 1/2" Phillips Round Head Crimptite Screw
5	802799	1	Sail Switch Box Cover and Bracket Only
6	122200	1	Sail Switch Only
7	150303	2	#4 x 3/4" Pan Head "A" Machine Screw
8	105500	1	Sail Switch Actuator Rod
9	319202	1	Sail Switch Damper (flat)
10	154002	1	1/8" Push-on Fastener
11	150415	4	#10-16 x 1/2" Phillips Round Head Crimptite Screw
12	319702	1	AD-100 Hi-Limit Support Bracket Only
13	150415	2	#10-16 x 1/2" Phillips Round Head Crimptite Screw
14	319703	1	AD-100 Hi-Limit Conduit Support Bracket Only
15	150001	2	#6-32 x 1/2" Round Head Machine Screw
16	130401	1	330° Hi-Limit Only
17	151000	2	#6-32 Pal Nut



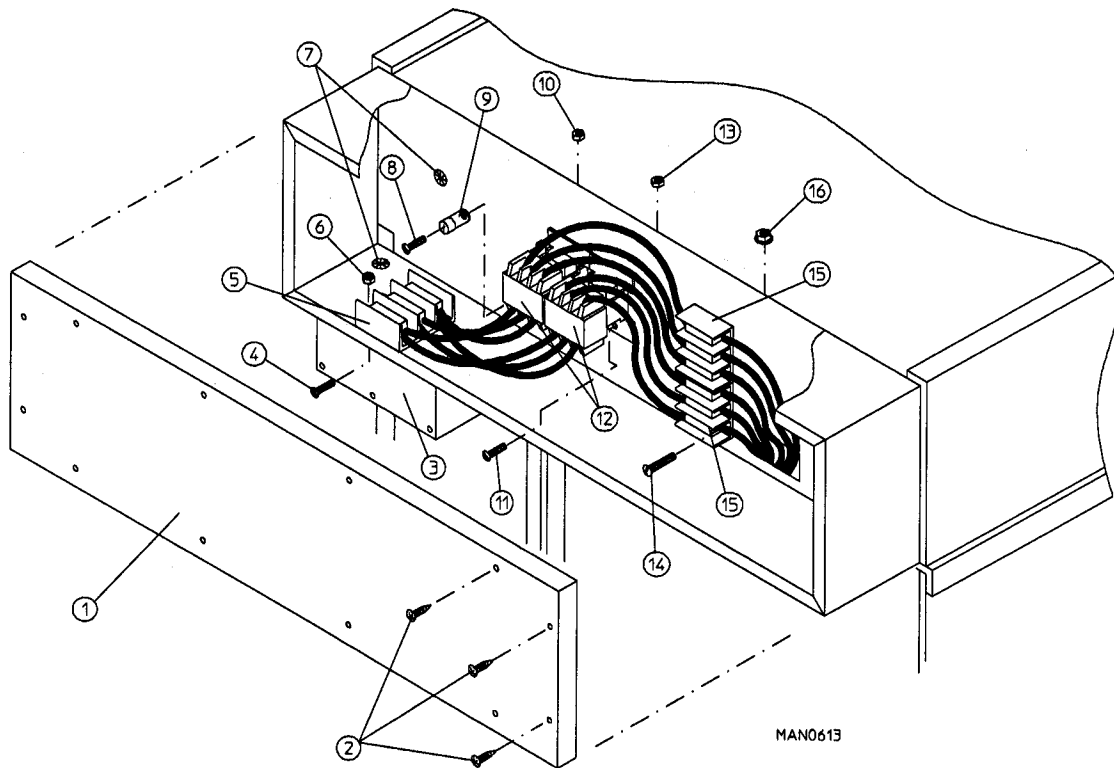
MAN0611



Illus. No.	Part No.	Qty.	Description
1	803002	1	ADE-100 Electric Oven Box Only
	-----*	1	Electric Oven Assembly Complete
2	-----*	18	Electric Element
3	802802	1	ADE-100 Safety Control Bracket Only
4	150301	2	#8-18 x 7/16" Phillips Pan Head Tek Screw
5	130400	1	290° Hi-Limit Only
6	150415	4	#10-16 x 1/2" Phillips Round Head Crimptite Screw
7	802800	1	Sail Switch Box with Cover and Bracket Only
	802801	1	Sail Switch Box Assembly Complete (includes illus. nos. 7 through 15)
8	154004	1	Twin Speed Nut
9	150415	2	#10-16 x 1/2" Phillips Round Head Crimptite Screw
10	802799	1	Sail Switch Box Cover and Bracket Only
11	122200	1	Sail Switch Only
12	150303	2	#4 x 3/4" Pan Head "A" Machine Screw
13	105500	1	Sail Switch Actuator Rod
14	319202	1	Sail Switch Damper (flat)
15	154002	1	1/8" Push-on Fastener
16	150415	8	#10-16 x 1/2" Phillips Round Head Crimptite Screw
17	803101	4	ADE-100 Element Cover Only
18	120081	36	Internal Ceramic Insulator
19	120080	36	External Ceramic Insulator
20	152008	36	#10-32 Hex Nut
21	121011*	---	Bus Bar
22	121010*	---	Terminal Lug
23	153009	36	#10 Star Washer
24	152008	36	#10-32 Hex Nut
25	150415	14	#10-16 x 1/2" Phillips Round Head Crimptite Screw
26	321403	1	ADE-100 Cover Only
27	-----*	—	Oven Wire (sold in feet)

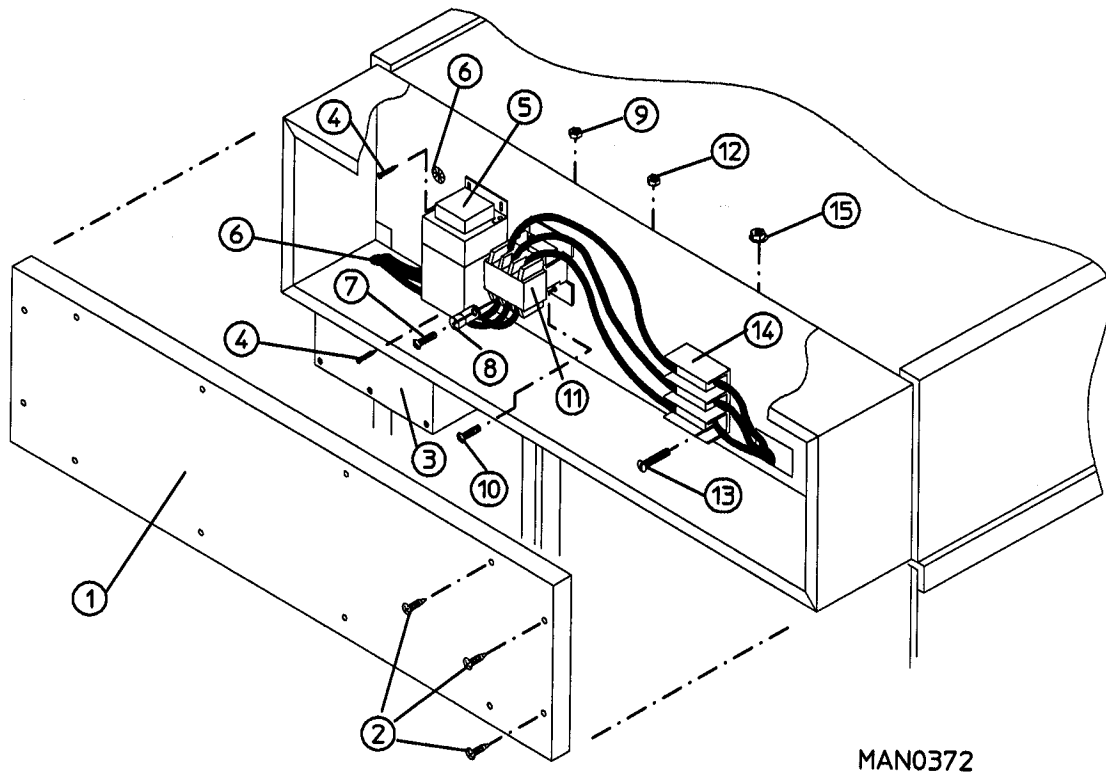
* Refer to ADE-100 Electric Oven Component Application Chart on page 36.

60Kw 208/240v - 3Ø - 50/60Hz



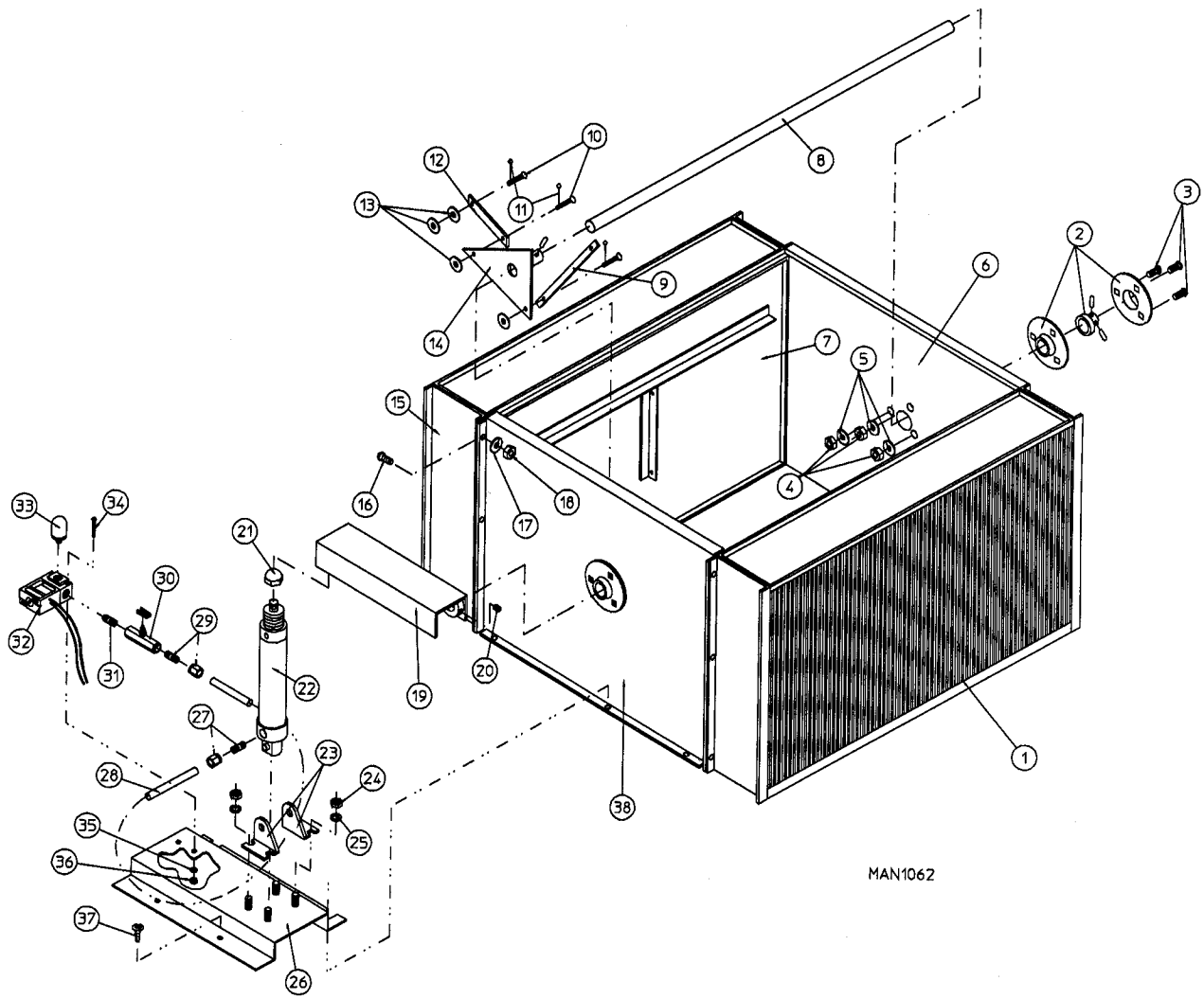
Illus. No.	Part No.	Qty.	Description
1	320902	1	ADE-100 Electric Oven Relay Box Cover
2	150301	12	#8-18 x 7/16" Phillips Pan Head Tek Screw
3	322808	1	Control Box Cover Plate Only
4	150108	2	#8-32 x 1/2" Pan Head Machine Screw
5	120710	1	Power Distribution Block
6	151001	2	#8-32 Pal Nut
7	121400	2	Universal Bushing
8	150108	1	#8-32 x 1/2" Pan Head Machine Screw
9	121010	1	L-70 Ground Lug
10	151001	1	#8-32 Pal Nut
11	150108	3	#8-32 x 1/2" Pan Head Machine Screw
12	131375	2	TPST 93-Amp, 24v Relay
13	151001	3	#8-32 Pal Nut
14	150521	4	1/4-20 x 2" Carriage Bolt
15	120706	2	Power Distribution Block
16	152014	4	1/4-20 Free Spin Wash Nut

60Kw 416/480v - 3Ø - 50/60Hz



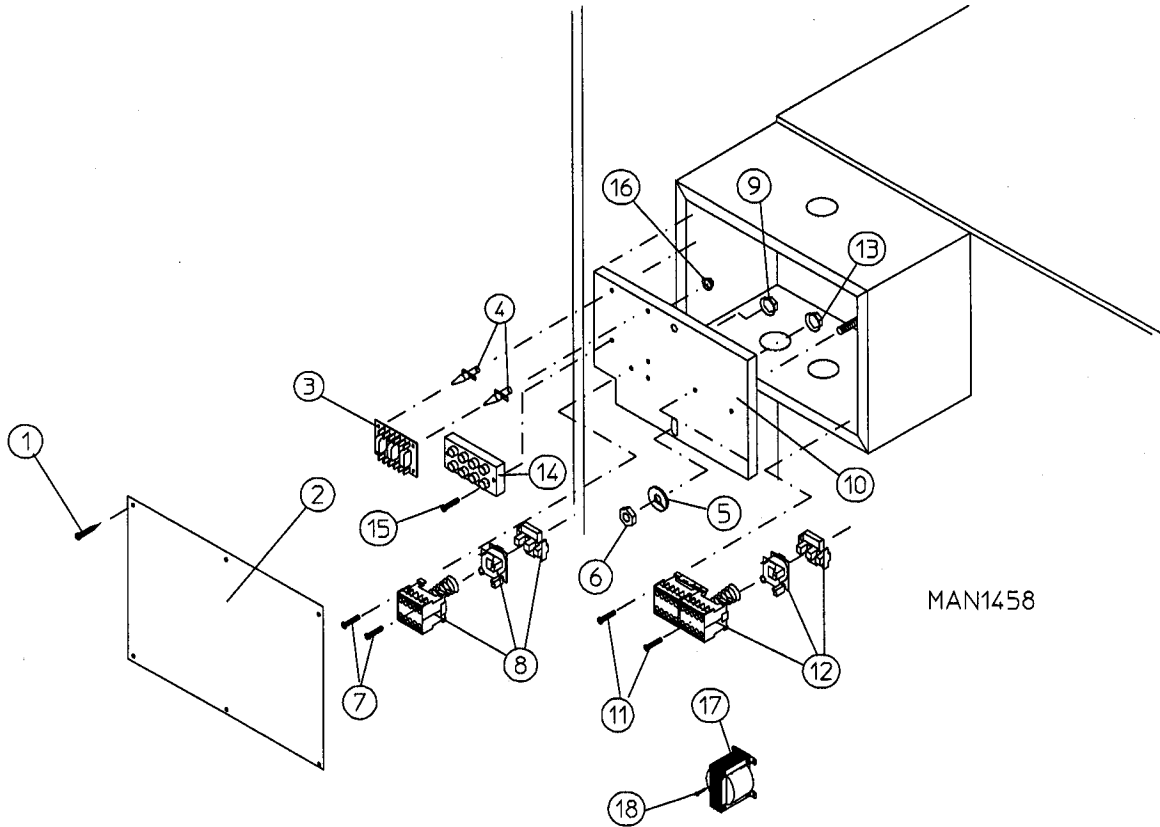
MAN0372

Illus. No.	Part No.	Qty.	Description
1	320902	1	ADE-100 Electric Oven Relay Box Cover
2	150301	12	#8-18 x 7/16" Phillips Pan Head Tek Screw
3	322808	1	Control Box Cover Plate Only
4	150300	3	#10 x 1/2" Hex Washer Tek Screw
5	-----	1	Transformer (see AD-100 Transformer Usage Listing on page 41)
6	121400	2	Universal Bushing
7	150108	1	#8-32 x 1/2" Pan Head Machine Screw
8	121010	1	L-70 Terminal Lug
9	151001	1	#8-32 Pal Nut
10	150108	1	#8-32 x 1/2" Pan Head Machine Screw
11	131375	1	TSPT 93-Amp, 24v Relay
12	151001	1	#8-32 Pal Nut
13	150521	2	1/4-20 x 2" Carriage Bolt
14	120706	1	Power Distribution Block
15	152014	2	1/4-20 Free Spin Wash Nut

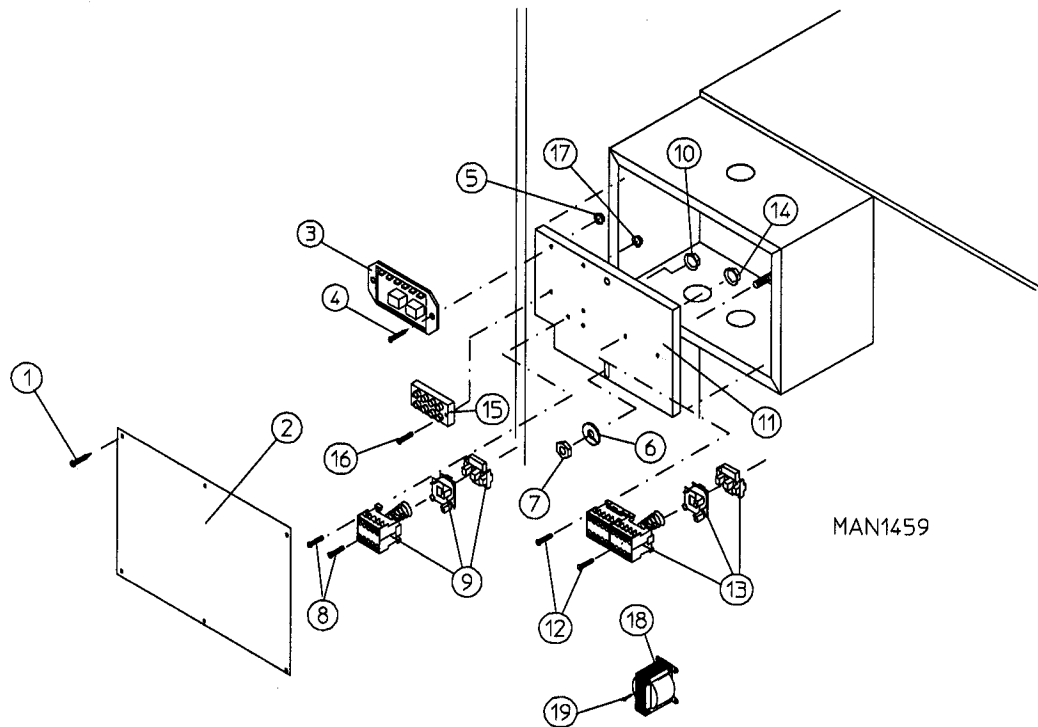


MAN1062

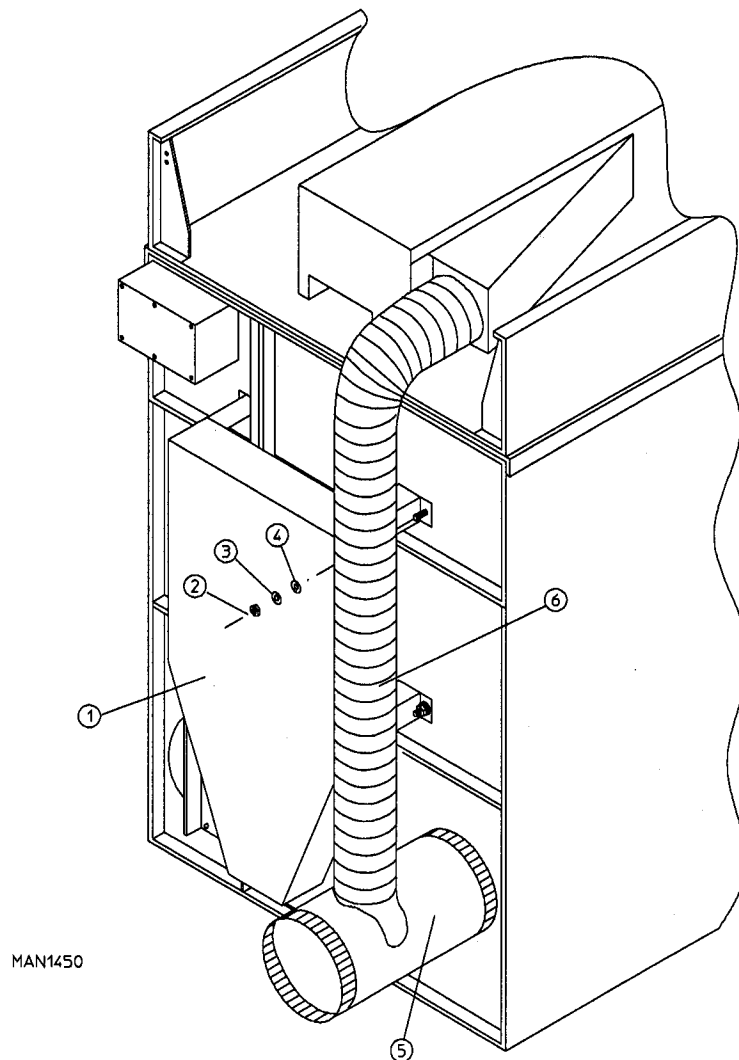
Illus. No.	Part No.	Qty.	Description
1	851431	1	ADS-100 High Pressure Steam Damper Assembly Complete (includes illus. nos. 1 through 38)
	851433	1	ADS-100 "Steel" Steam Damper Assembly Complete (includes illus. nos. 1 through 38)
	851432	1	ADS-100 Low Pressure Steam Damper Assembly Complete (includes illus. nos. 1 through 38)
2	100214	2	5/8" Flange Bearing
3	150521	6	1/4-20 x 2" Carriage Bolt
4	152002	6	1/4-20 Hex Nut
5	153007	6	1/4" Lock Washer
6	323561	1	Steam Damper Rear Wall End Plenum
7	851420	1	Left Damper Assembly
	851421	1	Right Damper Assembly
8	323553	1	Steam Damper Center Bar
9	323551	1	Steam Damper Large Linkage Arm
10	154299	4	1/4" Clevis Pin
11	154298	4	1/16" x 1/2" Cotter Pin
12	323552	1	Steam Damper Small Linkage Arm
13	153018	6	1/4" Flat Washer
14	851423	1	Steam Damper Linkage Support Assembly
15	165004	2	ADS-100 High Pressure Steam Coil (for high pressure steam models only)
	165006	2	ADS-100 Low Pressure Steam Coil (for low pressure steam models only)
	165018	2	ADS-100 "Steel" Steam Coil
16	150512	12	1/4-20 x 1/2" Hex Head Machine Bolt
17	153007	12	1/4" Lock Washer
18	152002	12	1/4-20 Hex Nut
19	851430	1	ADS-100 Steam Damper Actuation Arm Assembly
20	154306	1	5/16-18 x 1/4" Allen Set Screw
21	151006	1	5/16-24 Stainless Steel Acorn Nut
22	100495	1	1 1/16" Bore x 3" Stroke Piston
23	100535	1	Pivot Bracket
24	152002	4	1/4-20 Hex Nut
25	153007	4	1/4" Lock Washer
26	323506	1	ADS-100 Piston Assembly Base
27	100472	1	1/4" Poly x 1/8" MPT Connector
28	143110	1	1/4" Poly Flow Tubing
29	100472	1	1/4" Poly x 1/8" MPT Connector
30	100496	1	1/8" Needle Valve
31	143238	1	1/8" Brass Close Nipple
32	100498	1	3-Way Micro Valve
33	100520	1	1/8" NPT Silencer (Muffler)
34	150002	2	#6-32 x 1" Machine Bolt
35	153010	2	#6 Star Washer
36	152000	2	#6-32 Hex Nut
37	150300	2	#10 x 1/2" Hex Washer Tek Screw
38	323560	1	Steam Damper Front Wall Plenum



Item No.	Part No.	Qty.	Description
1	150301	6	#8-18 x 7/16" Phillips Pan Head Tek Screw
2	322808	1	Control Box Cover Plate Only (8 1/2" x 12")(Models mfg. prior to 1-4-93)
	322815	1	Control Box Cover Plate Only (8 1/2" x 15 1/2")(Models mfg. as of 1-4-93)
3	137060	1	Arc Suppressor Board (3)
4	137013	4	Nylon Standoff
5	153002	2	5/16" Lock Washer
6	152004	2	5/16-18 Hex Nut
7	150103	2	#8-32 x 3/4" Pan Head Machine Screw
8	132430	1	Impellor Contactor (24 volt)
	132432	1	Contactor Replacement Coil (24 volt)
9	151001	2	#8-32 Pal Nut
10	322816	1	Contactor Mounting Panel Only
11	150103	4	#8-32 x 3/4" Pan Head Machine Screw
12	132431	1	Reversing Contactor (24 volt)
	132432	2	Contactor Replacement Coil (24 volt)
13	151001	4	#8-32 Pal Nut
14	120701	1	4-Position Terminal Block
15	150009	2	#6-32 x 1 1/2" Slotted Round Head Machine Screw
16	151000	2	#6-32 Pal Nut
17	-----	1	Transformer (see AD-100 Transformer Usage Listing on page 41)
18	150300	2	#10 x 1/2" Hex Washer Tek Screw



Item No.	Part No.	Qty.	Description
1	150301	6	#8-18 x 7/16" Phillips Pan Head Tek Screw
2	322808	1	Control Box Cover Plate Only (8 1/2" x 12")(Models mfg. prior to 1-4-93)
	322815	1	Control Box Cover Plate Only (8 1/2" x 15 1/2")(Models mfg. as of 1-4-93)
3	132198	1	Reversing Timer 24VAC 50/60Hz
4	150301	2	#8-18 x 7/16" Phillips Pan Head Tek Screw
5	151001	2	#8-32 Pal Nut
6	153002	2	5/16" Lock Washer
7	152004	2	5/16-18 Hex Nut
8	150103	2	#8-32 x 3/4" Pan Head Machine Screw
9	132430	1	Impellor Contactor (24 volt)
	132432	1	Contactor Replacement Coil (24 volt)
10	151001	2	#8-32 Pal Nut
11	322816	1	Contactor Mounting Panel Only
12	150103	4	#8-32 x 3/4" Pan Head Machine Screw
13	132431	1	Reversing Contactor (24 volt)
	132432	1	Contactor Replacement Coil (24 volt)
14	151001	4	#8-32 Pal Nut
15	120701	1	4-Position Terminal Block
16	150009	2	#6-32 x 1 1/2" Slotted Round Head Machine Screw
17	151000	2	#6-32 Pal Nut
18	-----	1	Transformer (see AD-100 Transformer Usage Listing on page 41)
19	150300	2	#10 x 1/2" Hex Washer Tek Screw



Illus. No.	Part No.	Qty.	Description
1	801509	1	AD-100 Back Guard Assembly
2	152005	4	3/8-16 Hex Nut
3	153005	4	3/8" Lock Washer
4	153004	4	3/8" Flat Washer
5*	143507	1	12" x 12" x 8" Tee
6*	143510	1	8" Diameter Flexible Duct
	117505	**	Aluminum Duct Tape (sold in feet)

* For heat reclaimer models ONLY.

** As required.

DSI Burner Orifice Listing*						
Model No.	Heat Reclaimer	Qty.	Natural Gas		L.P. Gas	
			D.M.S.	Part No.	D.M.S.	Part No.
ADG-100D	No	3	#17	140830	#36	140816
ADG-100DH	Yes	3	#18	140829	#37	140815

* Consult factory for elevations over 2,000 feet.

DSI Burner Assembly Listing				
Model No.	BTU/H Rating	Heat Reclaimer	Natural Gas Part No.	L.P. Gas Part No.
ADG-100D	265,000	No	806635	806636
ADG-100DH	250,000	Yes	806633	806634

NOTES: 1. Burner assemblies do not include burner orifices. They must be ordered separately.
 2. When ordering burner assemblies, specify model number and serial number of dryer.

DSI L.P. Conversion Kit Listing*	
Model No.	Kit Part No.
ADG-100D	874028
ADG-100DH	874041

* Consult factory for elevations over 2,000 feet.

Kw	60		60		60		60		60		
Volts	208		230		380		416		480		
Phase	3		3		3		3		3		
Wire	3		3		3 or 4		3 or 4		3 or 4		
Oven Assy Part No.	815800		815802		815809		815805		815806		
Elements*	Qty.	12	6	12	6	12	6	12	6	12	6
	Size	3	4	3	4	3	4	3	4	3	4
	Part No.	120006	120008	120007	120009	120006	120008	120006	120008	120007	120009
Oven Wire**	Qty.	51	9	51	9	22	8	22	8	22	8
	Size	#8	#10	#8	#10	#8	#10	#8	#10	#8	#10
	Part No.	133100	133000	133100	133300	133100	133000	133100	133000	133100	133000
Terminal Lug	Qty.	19		19		10		10		10	
	Part No.	121010		121010		121010		121010		121010	
Bus Bar P/N 121011	8		8		11		11		11		

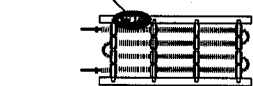
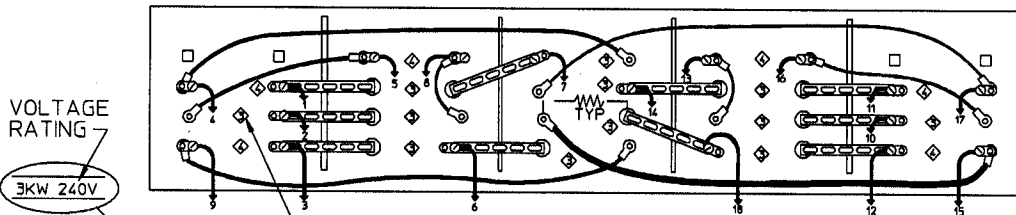
* Refer to ADE-100 Electric Oven Element Structure on pages 37 and 38 for exact location of elements.

** Oven wire is sold in feet.

208/240v - 60Kw - 50/60Hz - 3Ø

ADE-100 ELECTRIC OVEN ELEMENT STRUCTURE
(208/240V-60KW-50/60HZ-3Ø)

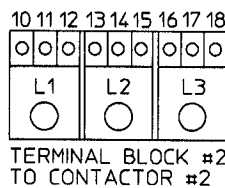
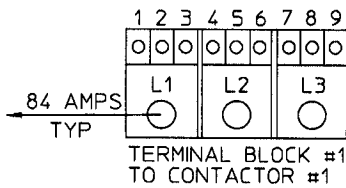
IMPORTANT: 220-240V OVENS USE 240V ELEMENTS



ELEMENT KW RATING
(3 KW or 4 KW)
MARKED ON ELEMENT FRAME

TEST

H = "HIGH" AMP READING
L = "LOW" AMP READING



- 1 - H 2 - L 3 - H
- 4 - H 5 - H 6 - L
- 7 - L 8 - H 9 - H
- 10 - L 11 - H 12 - H
- 13 - H 14 - L 15 - H
- 16 - H 17 - H 18 - L

27.8	<u>208V</u>	H = 29 AMPS
AVG.		L = 25 AMPS
24.1	<u>240V</u>	H = 25 AMPS
AVG.		L = 22 AMPS

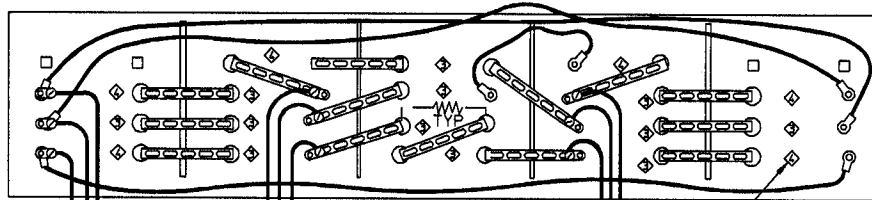
ELEMENT ARRANGEMENT, INTERCONNECTIONS,
AND LINE LEAD IDENTIFICATION

MANUAL

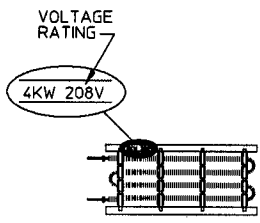
ADE-100 ELECTRIC OVEN ELEMENT STRUCTURE

(416/480V-60KW-50/60HZ-3Ø)

IMPORTANT: 416V OVENS USE 208V ELEMENTS
440-480V OVENS USE 240V ELEMENTS



L1 L2 L3 TERMINAL BLOCK ELEMENT KW RATING (3 KW or 4 KW) MARKED ON ELEMENT FRAME



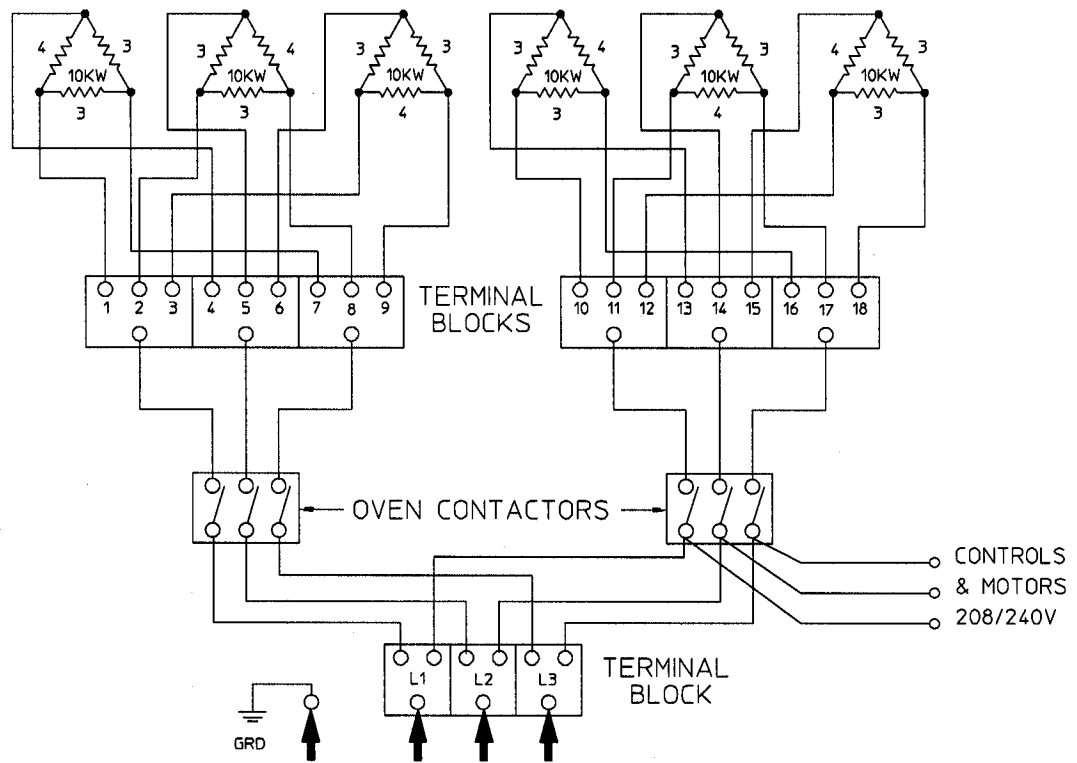
TEST

H = "HIGH" AMP READING	27.8	<u>416V</u>
L = "LOW" AMP READING	AVG.	H = 29 AMPS
		L = 25 AMPS
1 - L 2 - L 3 - H		<u>480V</u>
4 - H 5 - L 6 - L	24.1	H = 25 AMPS
7 - L 8 - H 9 - L	AVG.	L = 22 AMPS

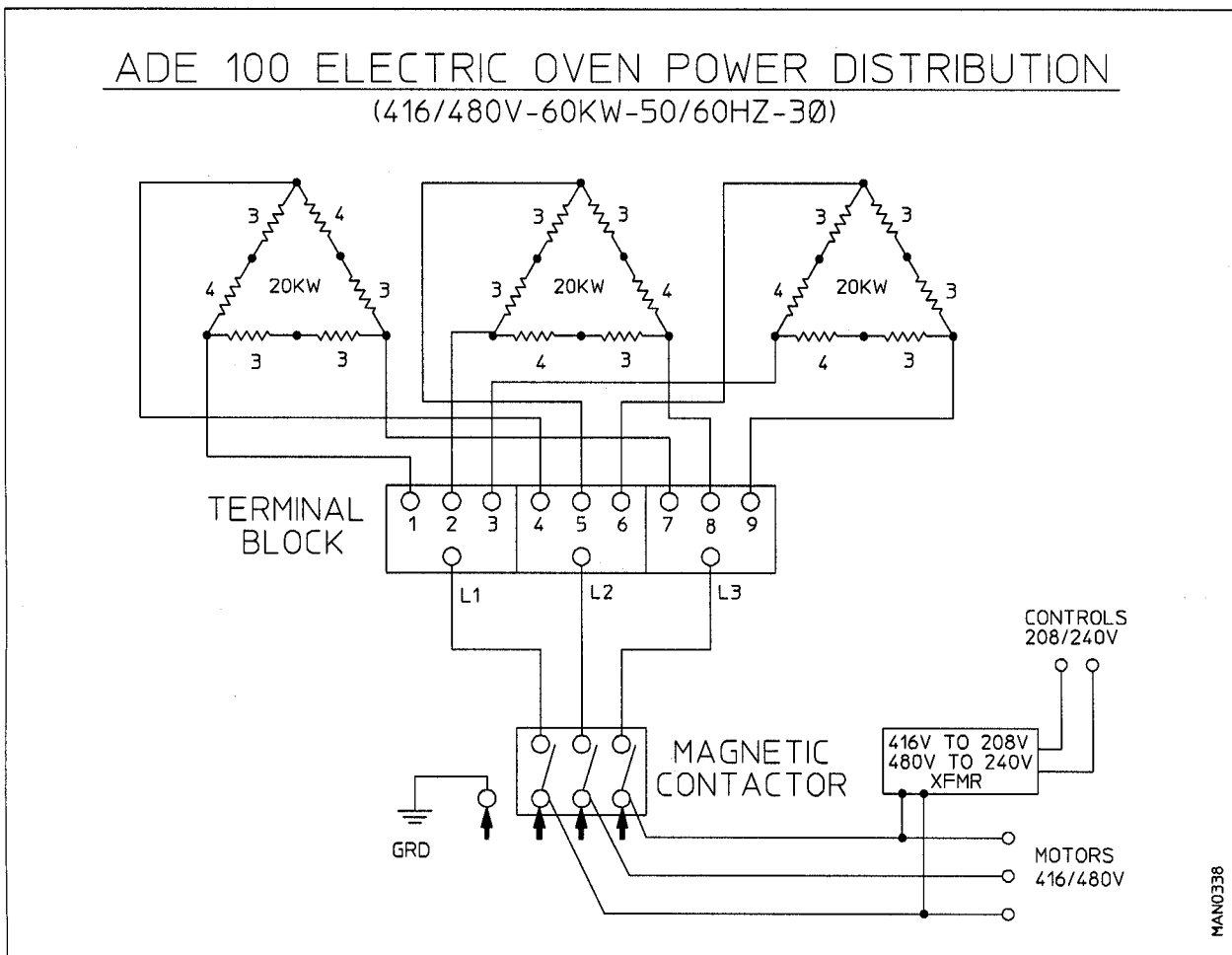
ELEMENT ARRANGEMENT, INTERCONNECTIONS, AND LINE LEAD IDENTIFICATION

93E0000M

ADE 100 ELECTRIC OVEN POWER DISTRIBUTION
(208/240V-60KW-50/60HZ-3Ø)



LEEDMAN



Stepdown Transformer Application Listing			
Heat	Voltage	Wire Service	Transformer Part No.
Gas-Steam	208-240	3 or 4	141403
	380	3	132059
	380	4	132059
	416	3	132062
	416	4	132062
	460/480	3	132053
	460/480	4	132053
	575	3	132050
Electric	208	3	132094*
	208	4	132094*
	240	3	132095*
	240	4	132095*
	380	3	132093*
	380	4	132093*
	416	3	132096*
	416	4	132096*
	460/480	3	132098*
	460/480	4	132098*
	600	3	132097*

* These transformers do not require the use of a 24 volt transformer (Part Number: 141403) located in the front control box.

Part No.	Description
112027	"Water Washed Fabrics" Label
112040	"Lint Compartment" Label
112041	"Caution Exhausted" Label
112534	"Phase 5 OPL Program Location Summary" Label
120100	3/8" Straight (BX) Connector
120300	3/8" x 45° (BX) Connector
120400	3/8" Red Jacket (BX) Insulator
120500	3/8" Jiffy Clip (BX Retainer Clip)
120600	3/8" Greenfield (BX)
120800	1/4" In-line Connector
120802	Red Butt Connector
120902	#74B Wire Nut
120903	Crimp-on Wire Nut
121014	1/4" Insulated(female) Terminal
121499	4" Harness Tie
121500	7" Harness Tie
121503	Harness Tie Mounting Clip
122804	Manometer (water column test gauge)
880200	Electrical Terminal (assortment) Kit

ADC 450140 1-07/29/93-100 2*-05/04/95-100

